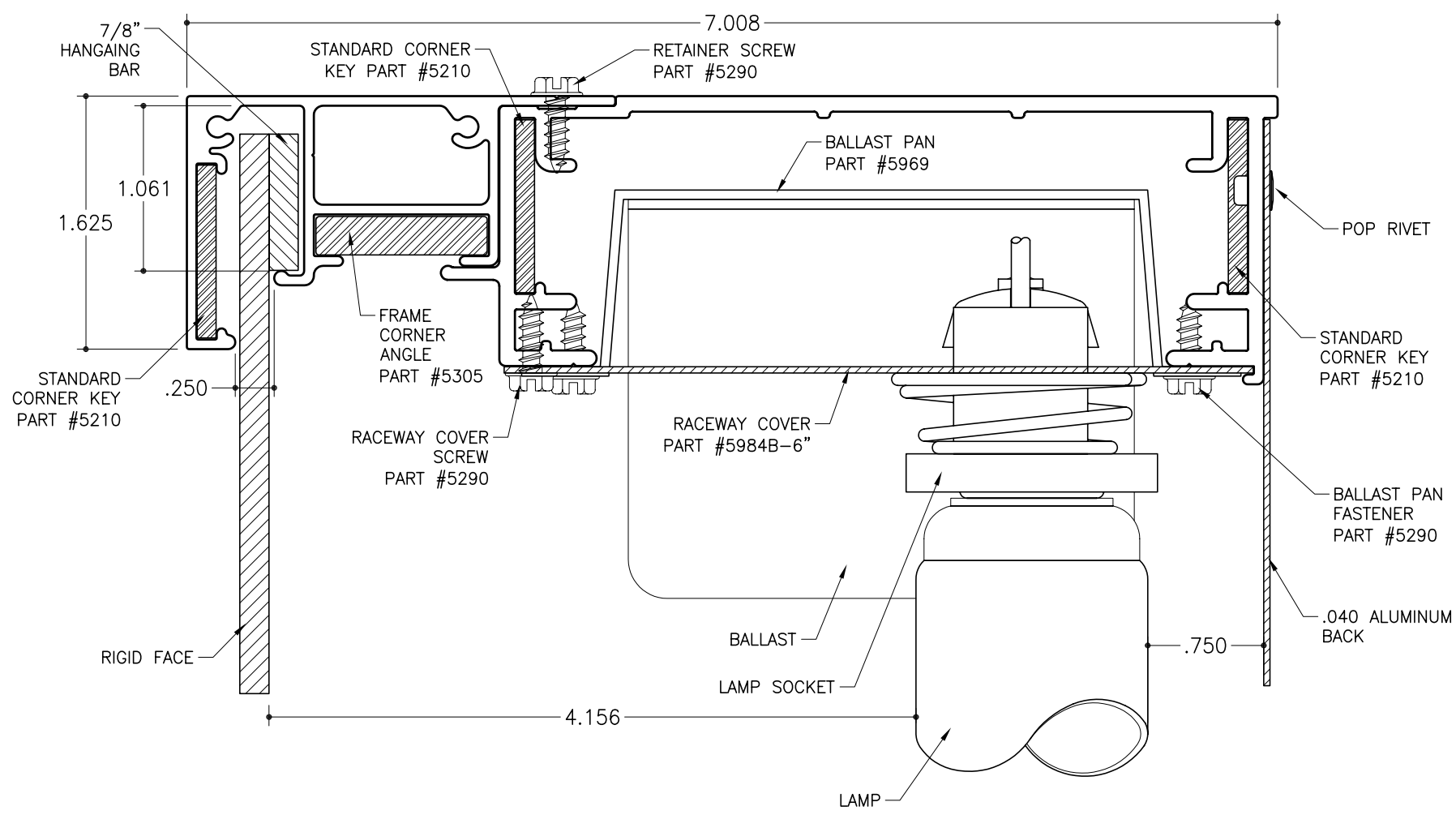


STD-21 for Rigid Faces - Electrical  
 2Part 6" Single Face Body  
 Part #1926  
 2Part Extended Retainer  
 Part #1940



**SECTION DETAIL - ELECTRICAL**  
 SCALE : 1"=1"

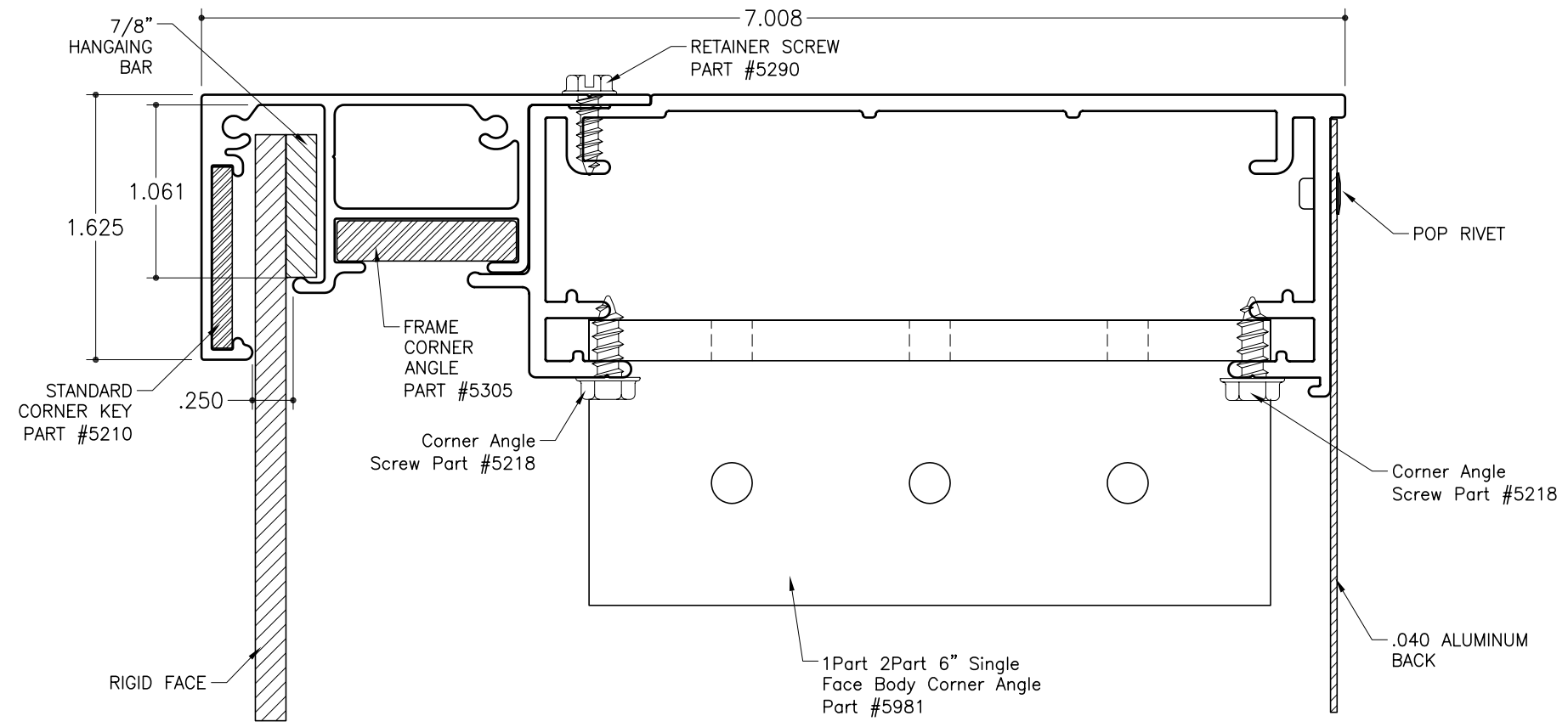
**GENERAL NOTES:**

1. Lamping - The bodies and retainers should be cut 1-3/4" longer than the nominal lamp size for horizontal or vertical lamping.  
 General Lamping Guidelines:  
 Double the distance between the front of the lamp and the back of the plastic face for your center to center lamp spacing. Maximum center to center is 12".
2. Hanging Bar - It is recommended to use a hanging bar on all rigid face.
3. SignComp does not supply the ballast(s), lamps, lamp sockets, back supports, gussets or .040 aluminum back.

STD-21 for Rigid Faces - Mechanically Fastened

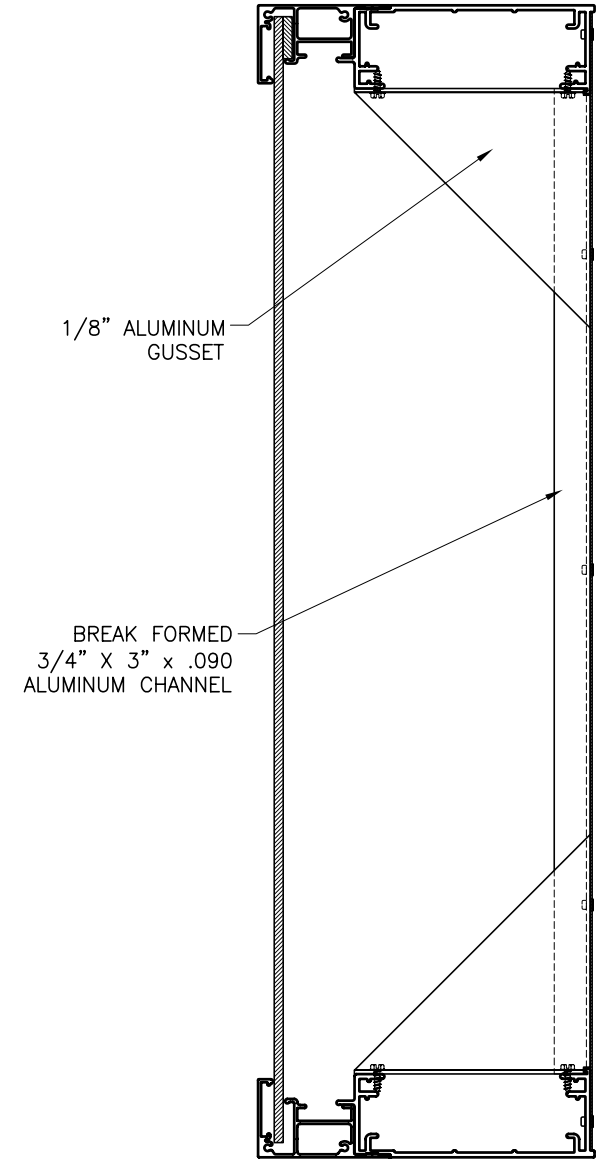
2Part 6" Single Face Body  
Part #1926

2Part Extended Retainer  
Part #1940



**SECTION DETAIL - MECHANICALLY FASTENED**

SCALE : 1"=1"



**BRACING DETAIL**

SCALE : 3"=1'

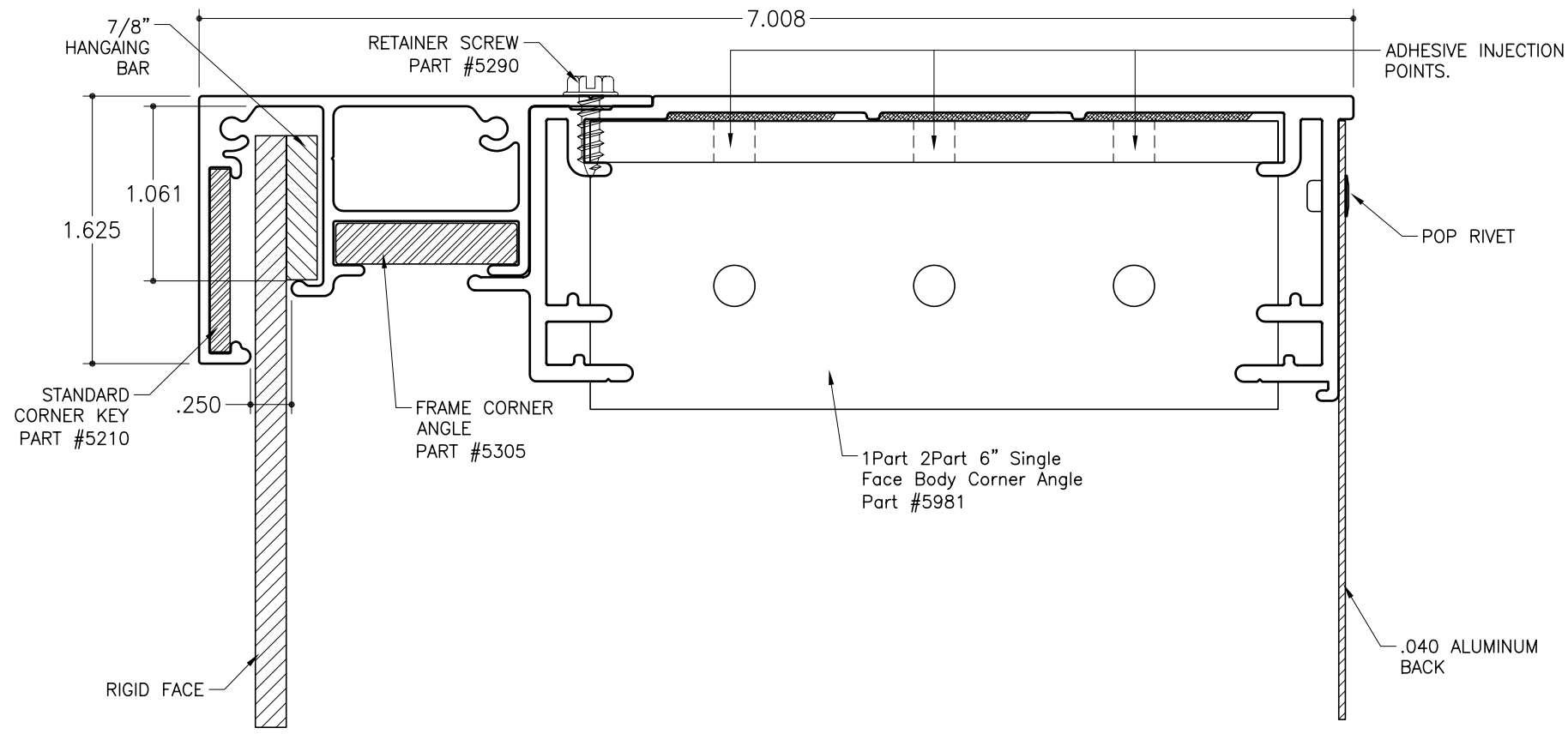
**GENERAL NOTES:**

1. Lamping - The bodies and retainers should be cut 1-3/4" longer than the nominal lamp size for horizontal or vertical lamping.  
 General Lamping Guidelines:  
 Double the distance between the front of the lamp and the back of the plastic face for your center to center lamp spacing. Maximum center to center is 12".
2. Hanging Bar - It is recommended to use a hanging bar on all rigid face.
3. SignComp does not supply the ballast(s), lamps, lamp sockets, back supports, gussets or .040 aluminum back.

STD-21 for Rigid Faces - Adhesive Bonded

2Part 6" Single Face Body  
Part #1926

2Part Extended Retainer  
Part #1940

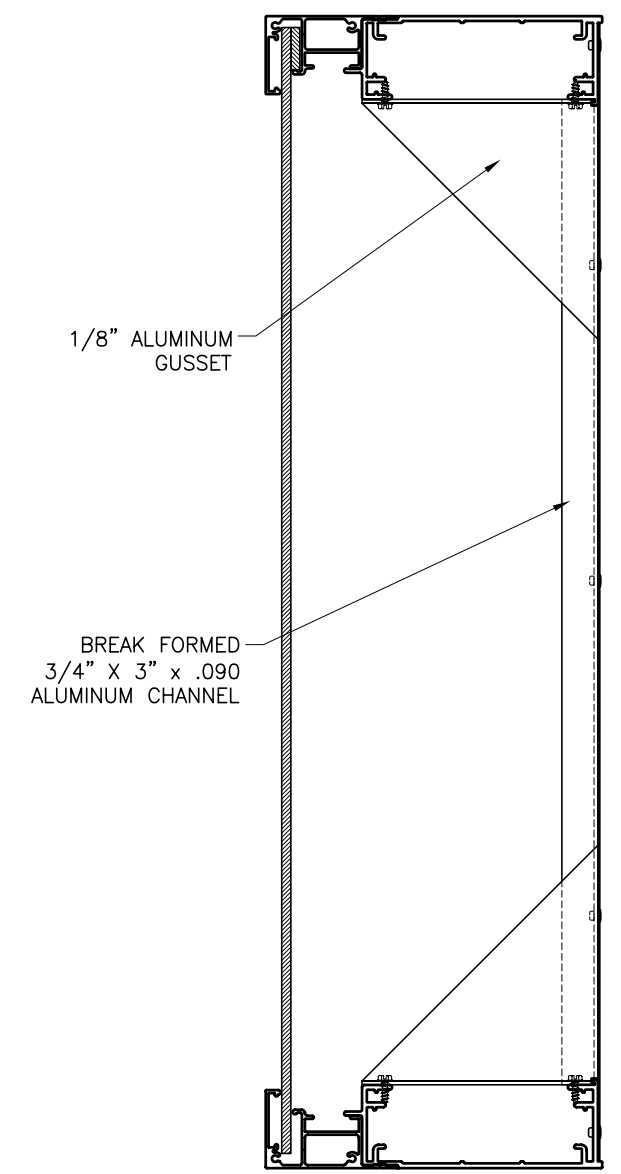


**SECTION DETAIL - ADHESIVE BONDED**

SCALE : 1"=1"

**GENERAL NOTES:**

1. Lamping - The bodies and retainers should be cut 1-3/4" longer than the nominal lamp size for horizontal or vertical lamping.  
 General Lamping Guidelines:  
 Double the distance between the front of the lamp and the back of the plastic face for your center to center lamp spacing. Maximum center to center is 12".
2. Hanging Bar - It is recommended to use a hanging bar on all rigid face.
3. SignComp does not supply the ballast(s), lampss, lamp sockets, back supports, gussets or .040 aluminum back.



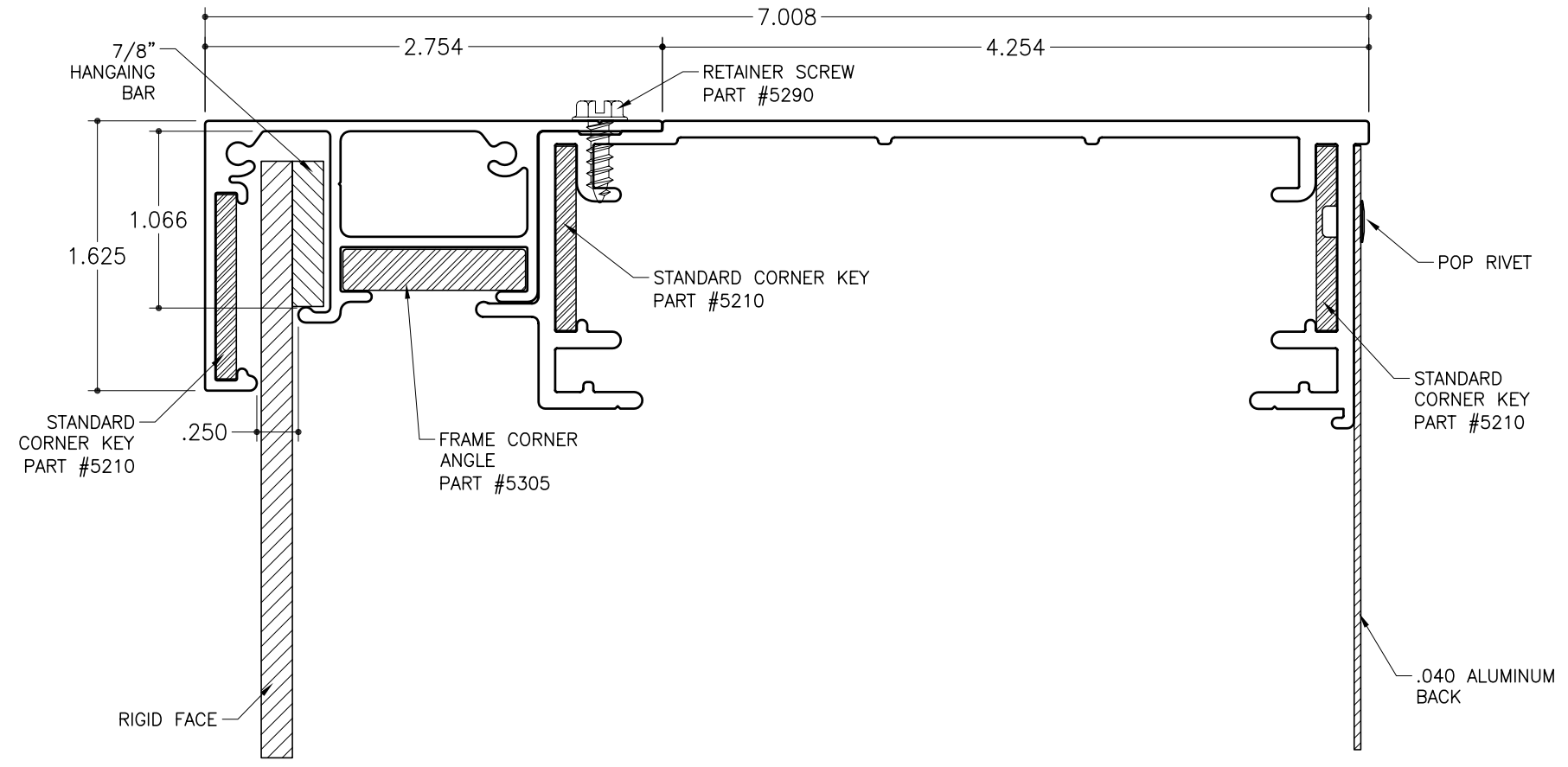
**BRACING DETAIL**

SCALE : 3"=1'

STD-21 for Rigid Faces - Welded

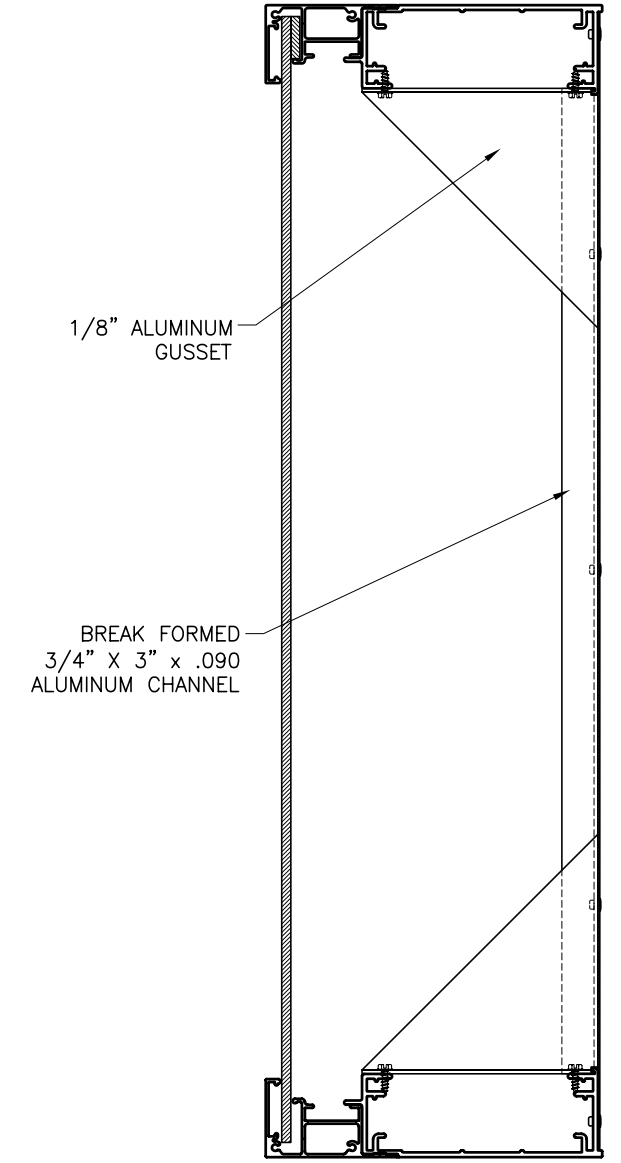
2Part 6" Single Face Body  
Part #1926

2Part Extended Retainer  
Part #1940



**SECTION DETAIL - WELDED**

SCALE : 1"=1"



**BRACING DETAIL**

SCALE : 3"=1'

**GENERAL NOTES:**

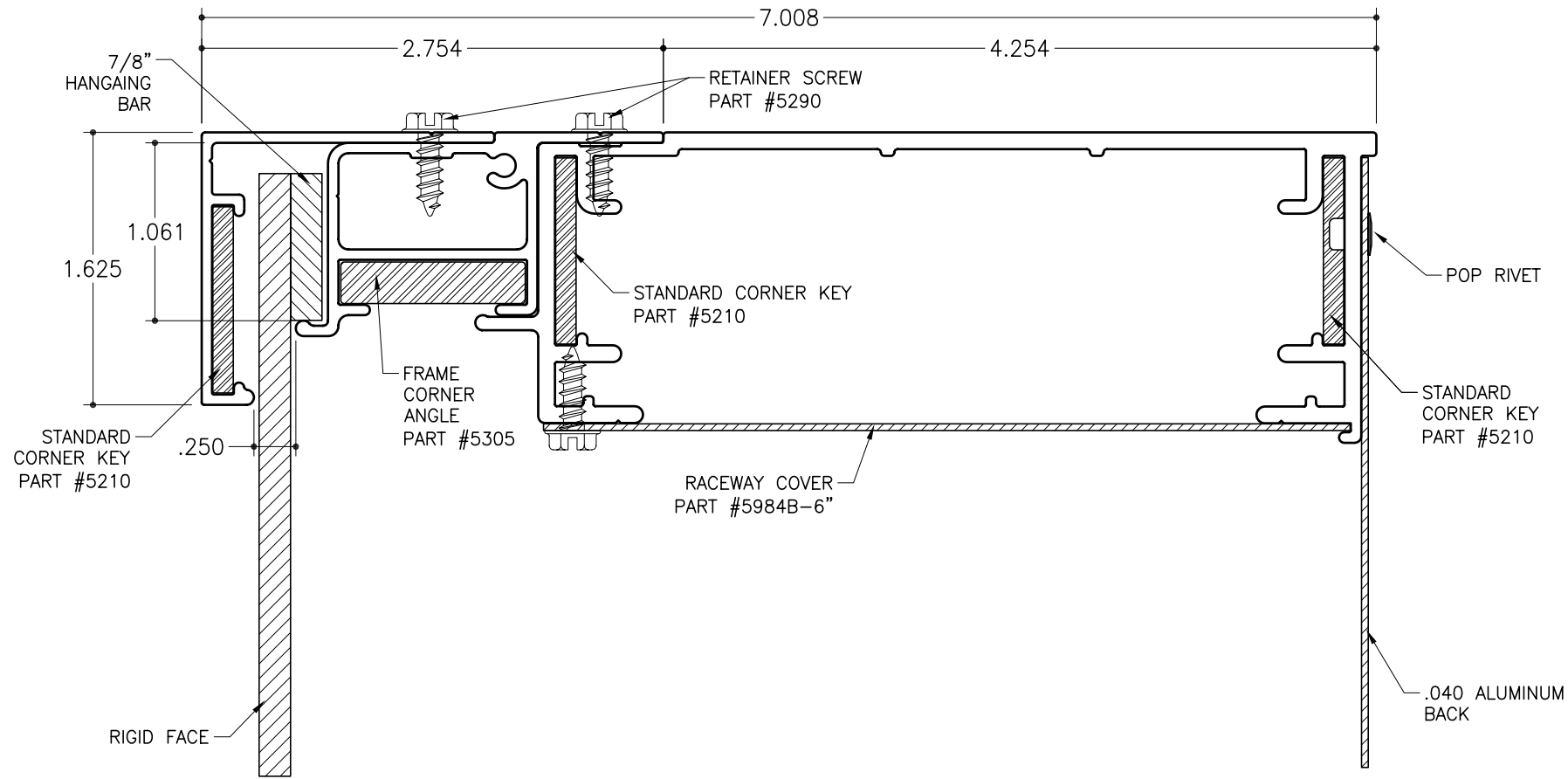
1. Lamping - The bodies and retainers should be cut 1-3/4" longer than the nominal lamp size for horizontal or vertical lamping.  
General Lamping Guidelines:  
Double the distance between the front of the lamp and the back of the plastic face for your center to center lamp spacing. Maximum center to center is 12".
2. Hanging Bar - It is recommended to use a hanging bar on all rigid face.
3. SignComp does not supply the ballast(s), lamps, lamp sockets, back supports, gussets or .040 aluminum back.

STD-21 for Rigid Faces - Removeable Retainer

2Part 6" Single Face Body  
Part #1926

2Part Extended Frame  
Part #1955

2Part Retainer  
Part #1944



**SECTION DETAIL - REMOVEABLE RETAINER**

SCALE : 1"=1"

**GENERAL NOTES:**

1. Lamping - The bodies and retainers should be cut 1-3/4" longer than the nominal lamp size for horizontal or vertical lamping.  
 General Lamping Guidelines:  
 Double the distance between the front of the lamp and the back of the plastic face for your center to center lamp spacing. Maximum center to center is 12".
2. Hanging Bar - It is recommended to use a hanging bar on all rigid face.
3. SignComp does not supply the ballast(s), lamps, lamp sockets, back supports, gussets or .040 aluminum back.