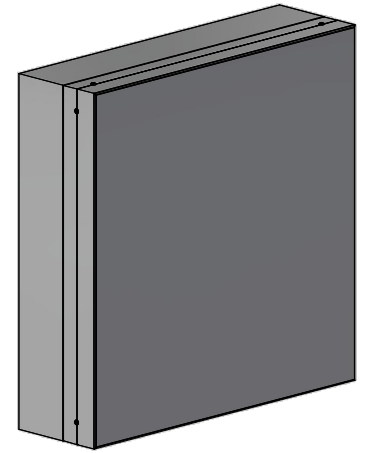


PARTS LIST

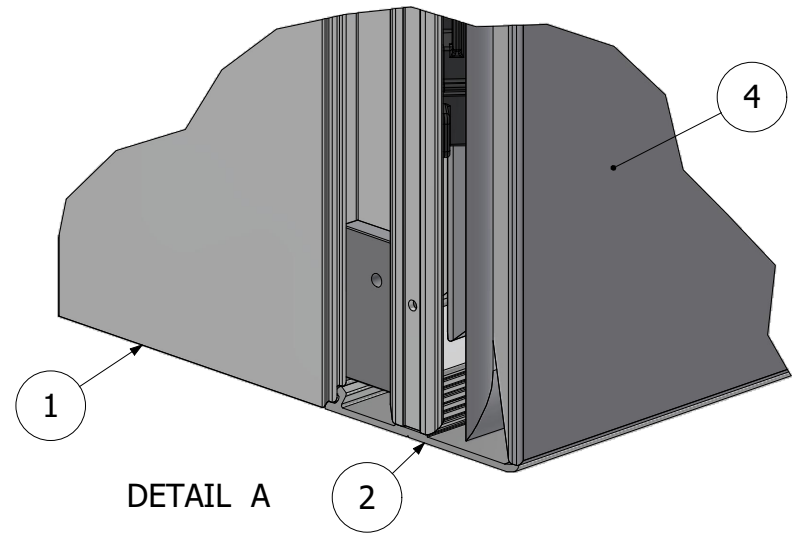
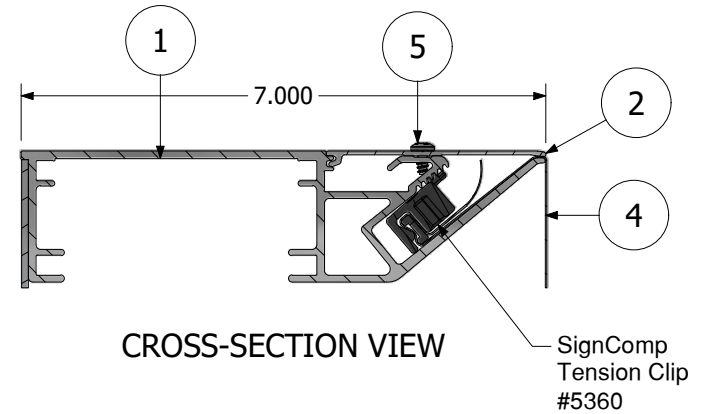
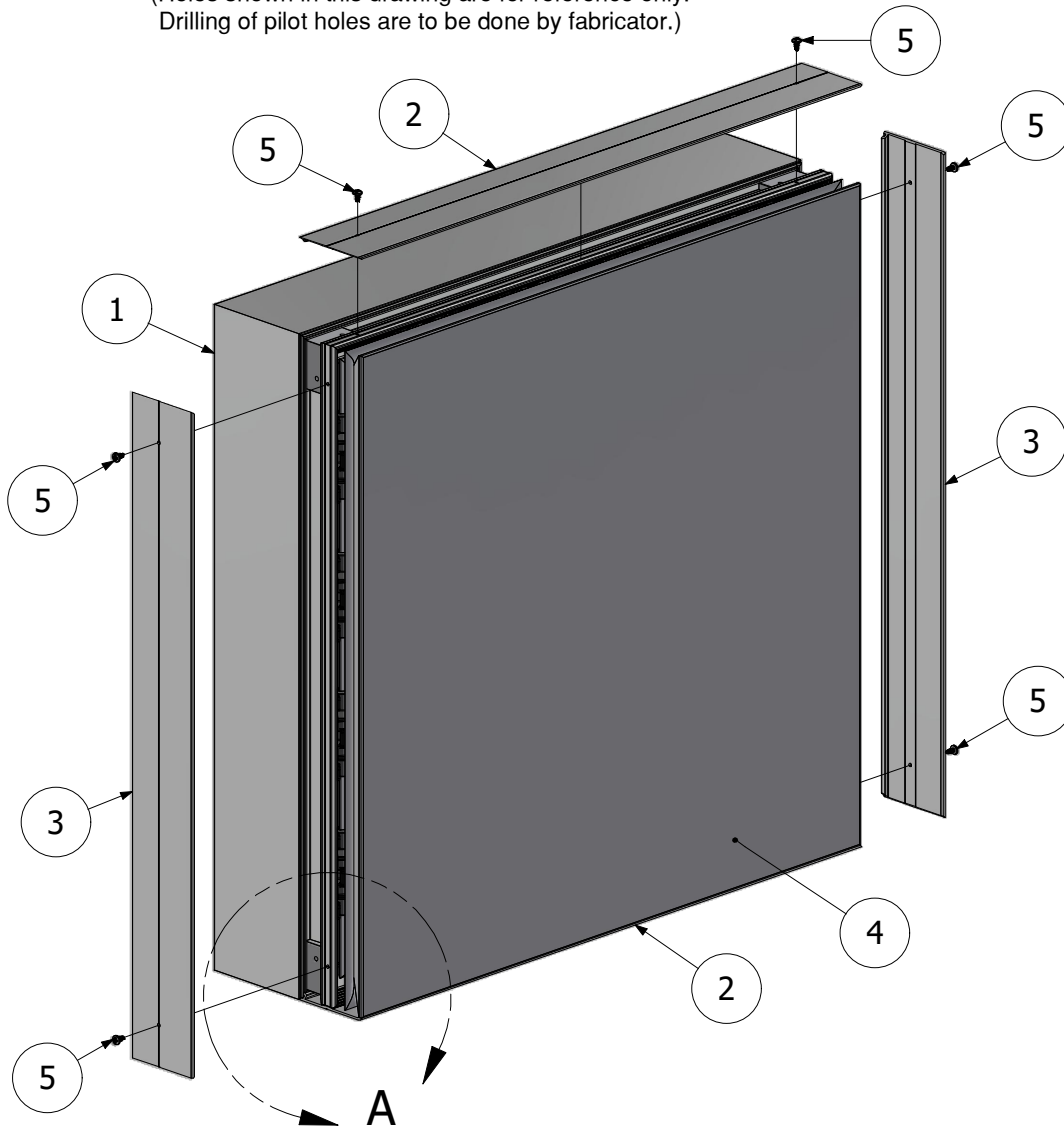
ITEM	PART #	DESCRIPTION	NOTES
1	2224	7 in Single Face Tension Body Assembly	
2	2121	Flat Bleed Retro Frame Cover	Top & Bottom
3	2121	Flat Bleed Retro Frame Cover	Sides
4		Panaflex Face	Provided by Other
5	5195	Cover Screw - #8 x 5/16"	Pre-drill 1/8" holes 24" o/c

Ship To:
Sales Order #



NOTE: PRE-CUT KITS ARE NOT PRE-DRILLED

(Holes shown in this drawing are for reference only.
Drilling of pilot holes are to be done by fabricator.)



THIS DRAWING WAS CREATED AT NO CHARGE TO ASSIST YOU IN VISUALIZING OUR PROPOSAL. THE DRAWING HEREIN IS THE PROPERTY OF SIGNCOMP. PERMISSION TO COPY OR REVISE THIS DRAWING OR TO USE THIS DRAWING FOR PRODUCTION IS STRICTLY PROHIBITED AND CAN ONLY BE COPIED, REVISED OR USED FOR PRODUCTION WITH THE EXPRESSED WRITTEN PERMISSION OF SIGNCOMP.

C:\VaultData\SignComp\Inventor\Assembly Instruction Cabinets\Commercial\2224\2224\K2224-21.idw

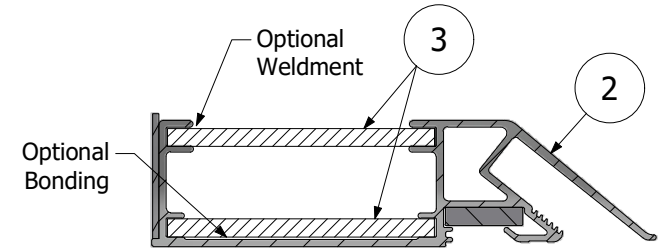
Project Name: 7in Single Face Tension Body w/ Cover - Assembly	Sign Company: K2224-21	Date: 3/17/2025	Revision: 1	Sheet: 1 of 1	Size: A	Drawing By: sbreihof	
--	----------------------------------	---------------------------	-----------------------	-------------------------	-------------------	--------------------------------	--

PARTS LIST

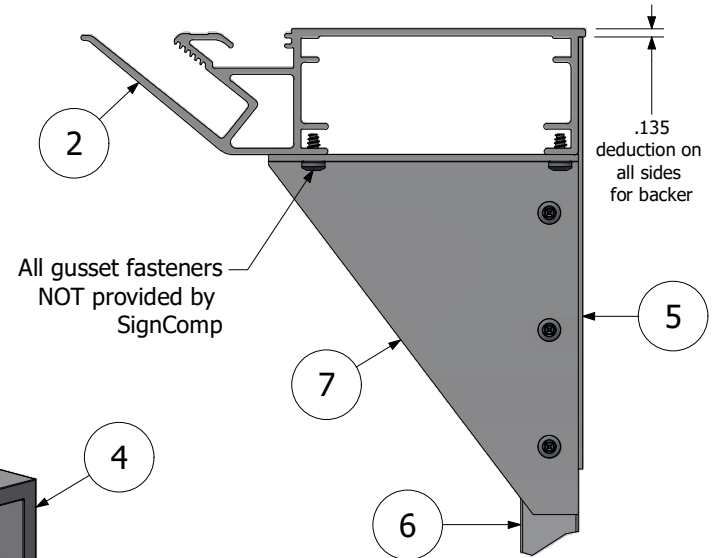
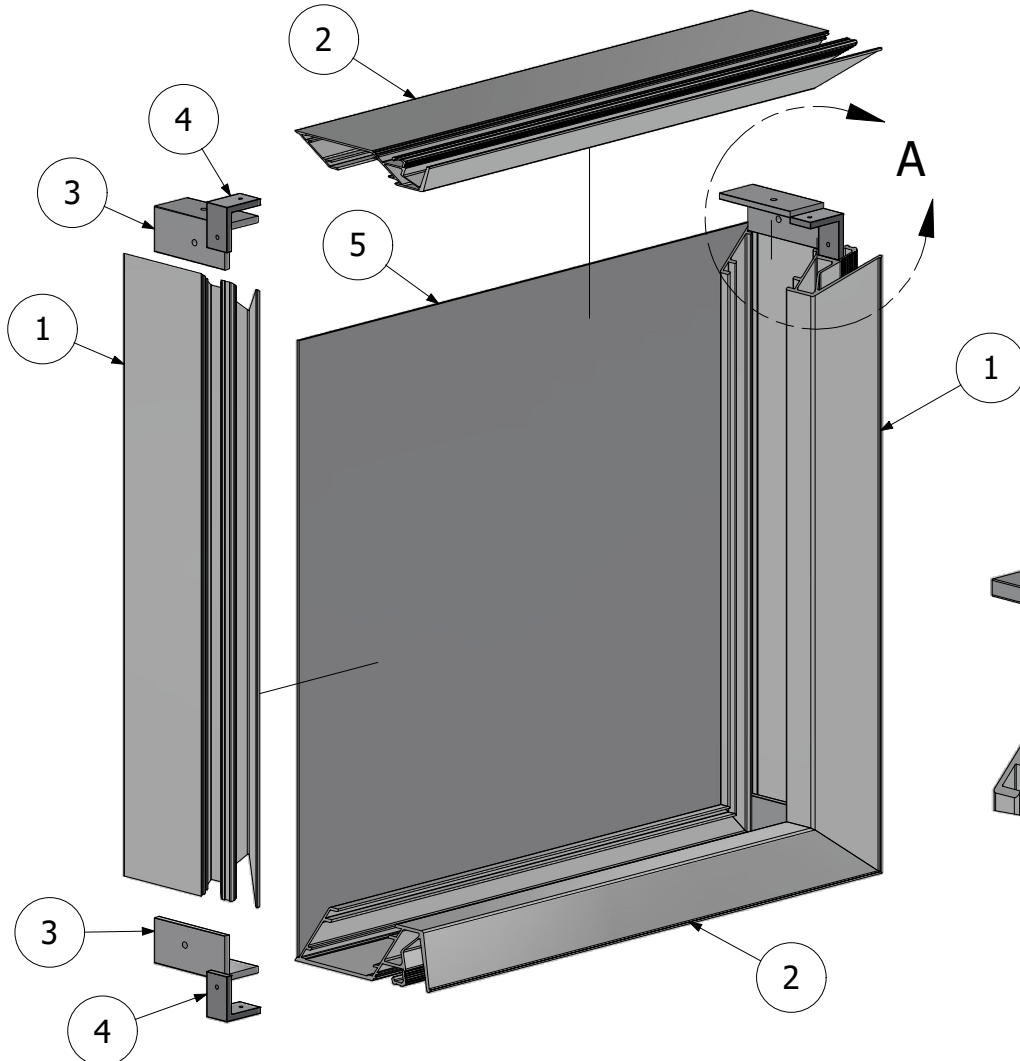
ITEM	PART #	DESCRIPTION	NOTES
1	2224	7in Single Face Tension Body	Sides
2	2224	7in Single Face Tension Body	Top & Bottom
3	5324	7in Single Face Tension Body Corner Angle	One (1) per corner
4	5305	Frame Corner Angle	One (1) per corner
5		.063 Aluminum Back	By Other
6		Tube Support	SignComp #2175 optional
7		Single Face Gusset	SignComp pattern optional

Ship To:
Sales Order #

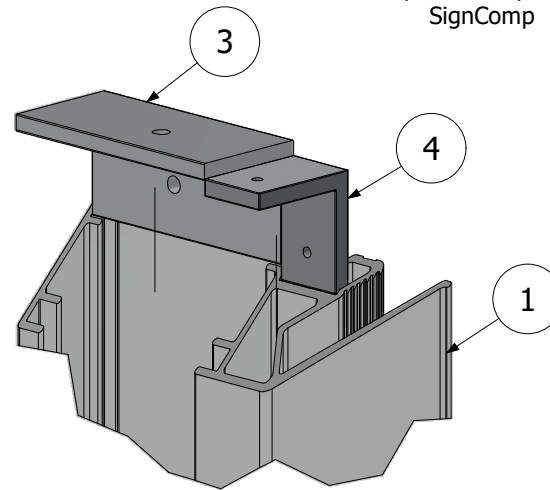
NOTE: This Body is designed for welded or bonded assembly.



CROSS-SECTION
optional assembly



CROSS-SECTION
Gusset and Back Support Detail



DETAIL A

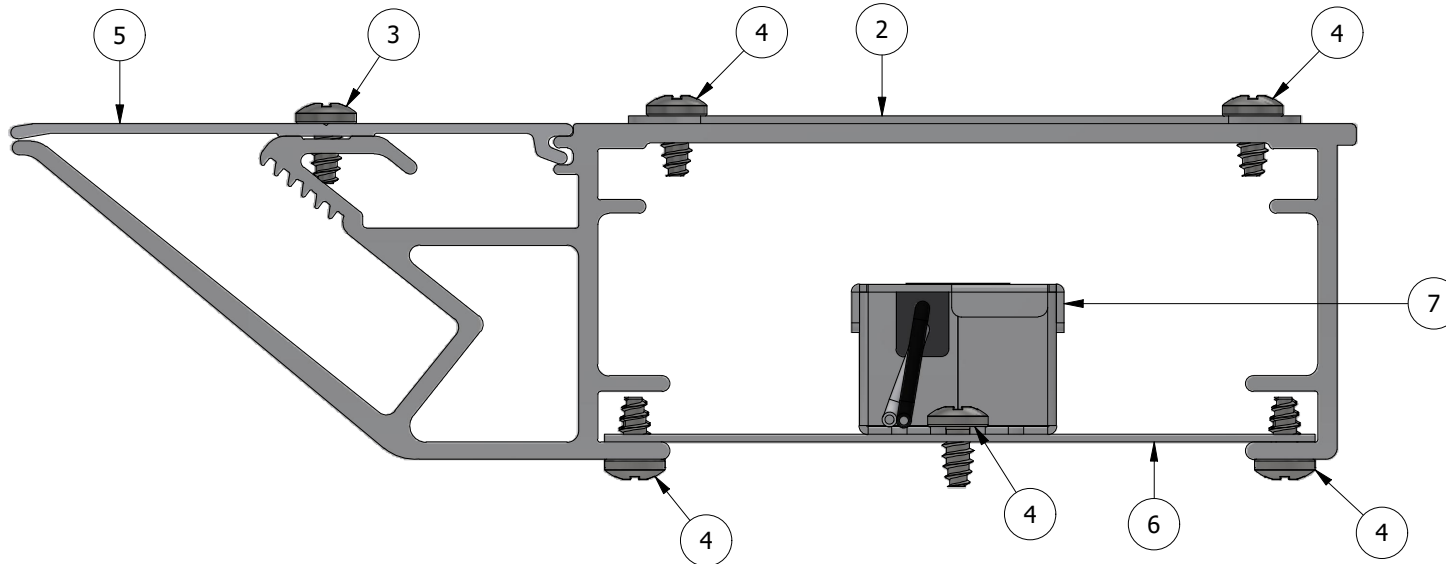
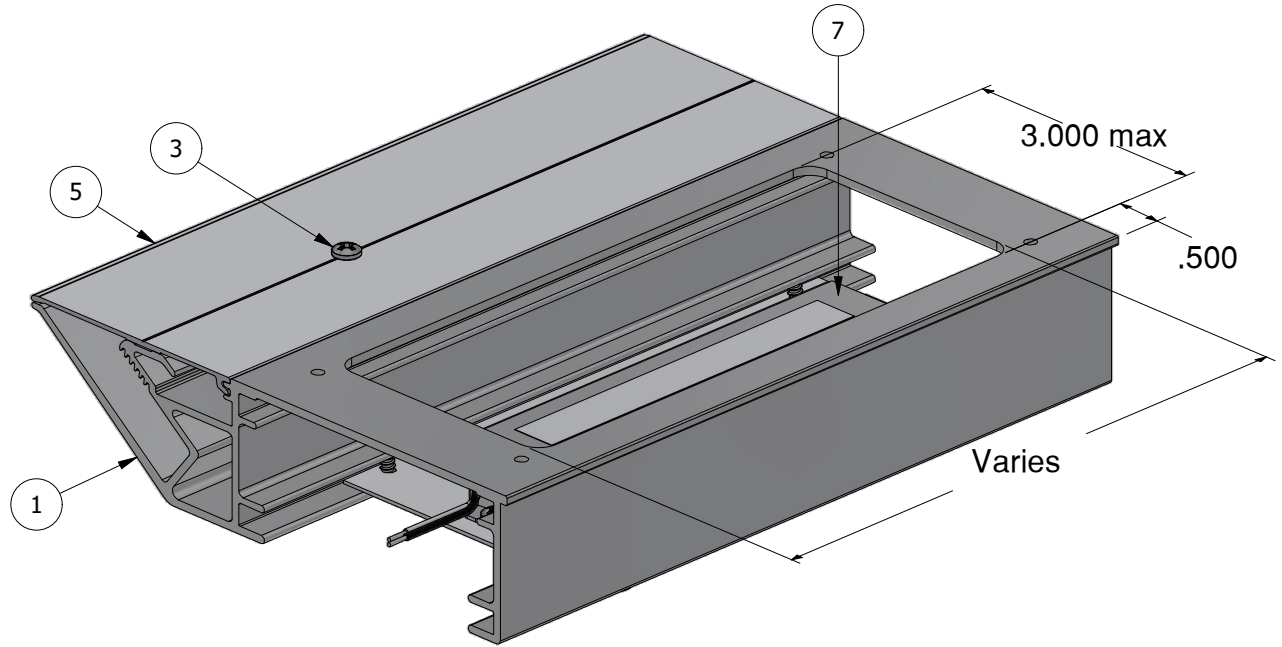
THIS DRAWING WAS CREATED AT NO CHARGE TO ASSIST YOU IN VISUALIZING OUR PROPOSAL. THE DRAWING HEREIN IS THE PROPERTY OF SIGNCOMP. PERMISSION TO COPY OR REVISE THIS DRAWING OR TO USE THIS DRAWING FOR PRODUCTION IS STRICTLY PROHIBITED AND CAN ONLY BE COPIED, REVISED OR USED FOR PRODUCTION WITH THE EXPRESSED WRITTEN PERMISSION OF SIGNCOMP.

C:\VaultData\SignComp\Inventor\Assembly Instruction Cabinets\Commercial\2224\K2224\K2224.idw

Project Name: 7in Single Face Tension Body - Assembly	Sign Company: K2224	Date: 3/17/2025	Revision: 1	Sheet: 1 of 1	Size: A	Drawing By: sbrehof	
---	-------------------------------	---------------------------	-----------------------	-------------------------	-------------------	-------------------------------	--

PARTS LIST			
ITEM	PART #	DESCRIPTION	NOTES
1	2224	7in Single Face Tension Body	
2		Access Cover	By Other
3	5195	Cover Screw - #8 x 5/16"	
4		Access Cover/Bracket Screw	By Other
5	2121	Flat Bleed Retro Frame Cover	
6		Power Supply Bracket	By Other
7		Power Supply	Supplied by Other

NOTE: Power Supply Access is for reference only.
All pre-drilled holes and routing are NOT provided by SignComp.



THIS DRAWING WAS CREATED AT NO CHARGE TO ASSIST YOU IN VISUALIZING OUR PROPOSAL. THE DRAWING HEREIN IS THE PROPERTY OF SIGNCOMP. PERMISSION TO COPY OR REVISE THIS DRAWING OR TO USE THIS DRAWING FOR PRODUCTION IS STRICTLY PROHIBITED AND CAN ONLY BE COPIED, REVISED OR USED FOR PRODUCTION WITH THE EXPRESSED WRITTEN PERMISSION OF SIGNCOMP.

Project Name: 7in Single Face Tension Body - Power Supply Access Detail	Sign Company: 2224	Date: 3/5/2024	Revision:	Sheet: 1 of 1	Size: A	Drawing By: Steve	
---	------------------------------	--------------------------	------------------	-------------------------	-------------------	-----------------------------	--