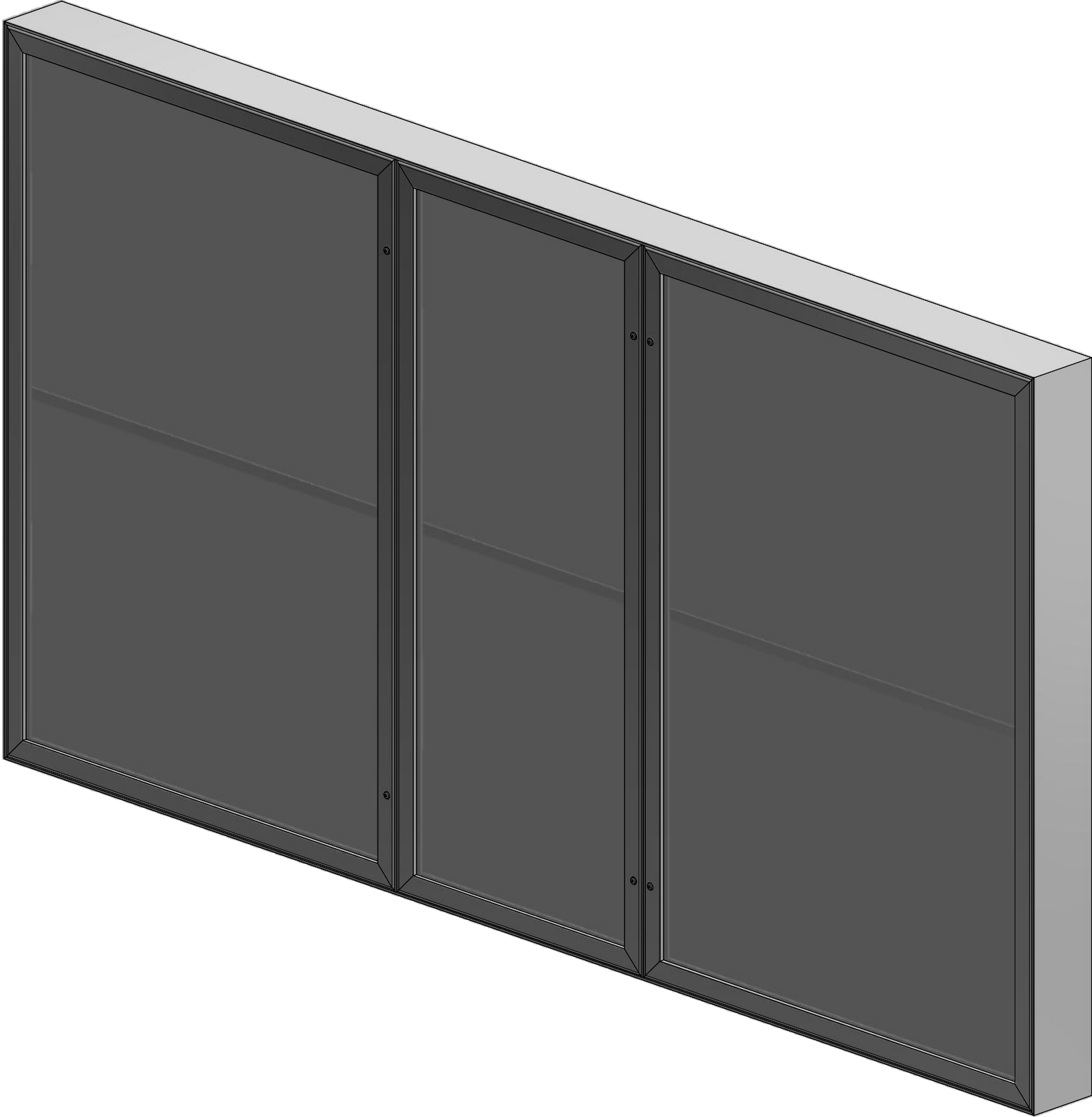


Menu Board without Speaker Assembly



Z:\SignComp Library\Kit Assemblies\Drawings\Standard\Menu System\Menu Board Assembly Instructions - Multi Door - No Outer Menu Dividers.dwg THIS DRAWING WAS CREATED AT NO CHARGE TO ASSIST YOU IN VISUALIZING OUR PROPOSAL. THE DRAWING HEREIN IS THE PROPERTY OF SIGNCOMP. PERMISSION TO COPY OR REVISE THIS DRAWING OR TO USE IT FOR PRODUCTION IS STRICTLY PROHIBITED AND CAN ONLY BE COPIED, REVISED OR USED FOR PRODUCTION WITH THE EXPRESSED WRITTEN PERMISSION OF SIGNCOMP.

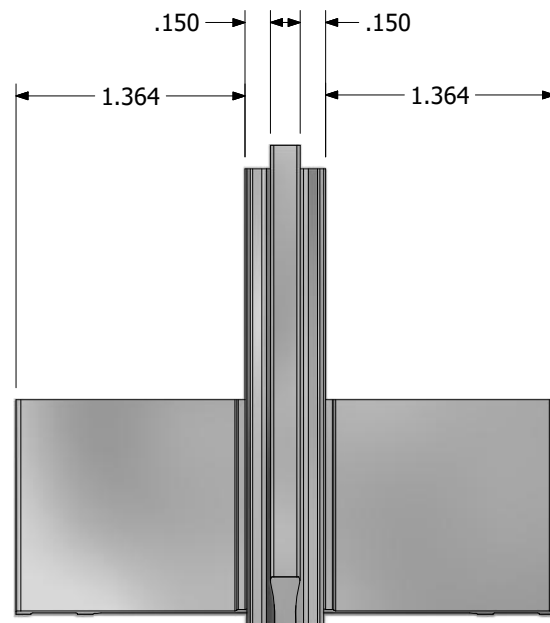
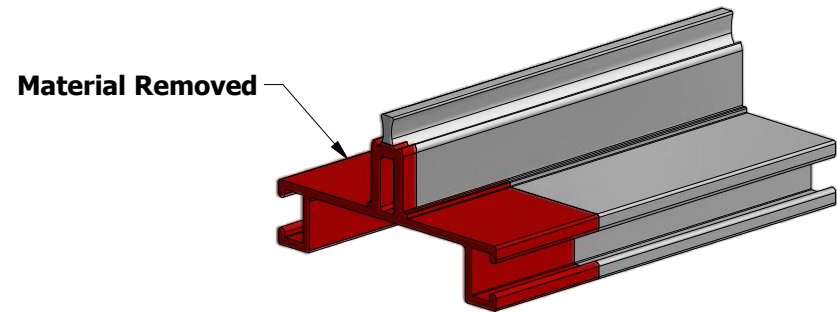
Project Name: Menu Board without Speaker	Sign Company:	Date: 8/7/2023	Revision:	Sheet: 1 of 9	Size: B	Drawing By: Steve	
--	----------------------	--------------------------	------------------	-------------------------	-------------------	-----------------------------	---

Assembly Sheet A

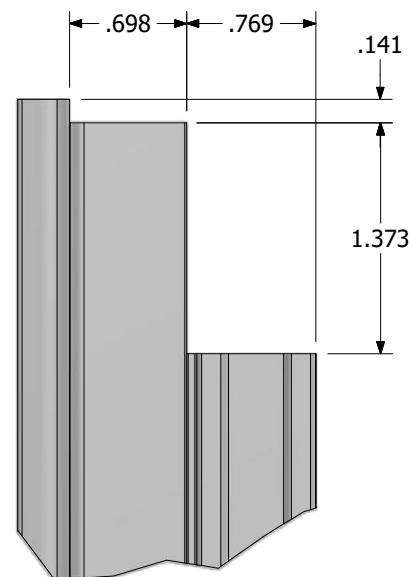
- 1 - **(Optional)** it is recommended to pre-drill #8 countersink holes every 2" on center in the Hinge(s) and Menu External Divider(s) that will have a Door Frame attached, before assembly.
- 2 - Slide the Menu Angle Assemblies into each of the Menu External Divider slots. Slide the Menu Angle Assemblies to the approximate location of where the Menu Internal Divider(s) will be placed.
- 3 - Align the Menu Internal Divider(s) onto the Menu Angle Assemblies. The angle set screws will be tightened later in the assembly.

TABLE		
Item	Part #	Description
1	1806	Menu External Divider
2	1807	Menu Internal Divider
3	5895	Menu Angle Assembly

External Divider Notching

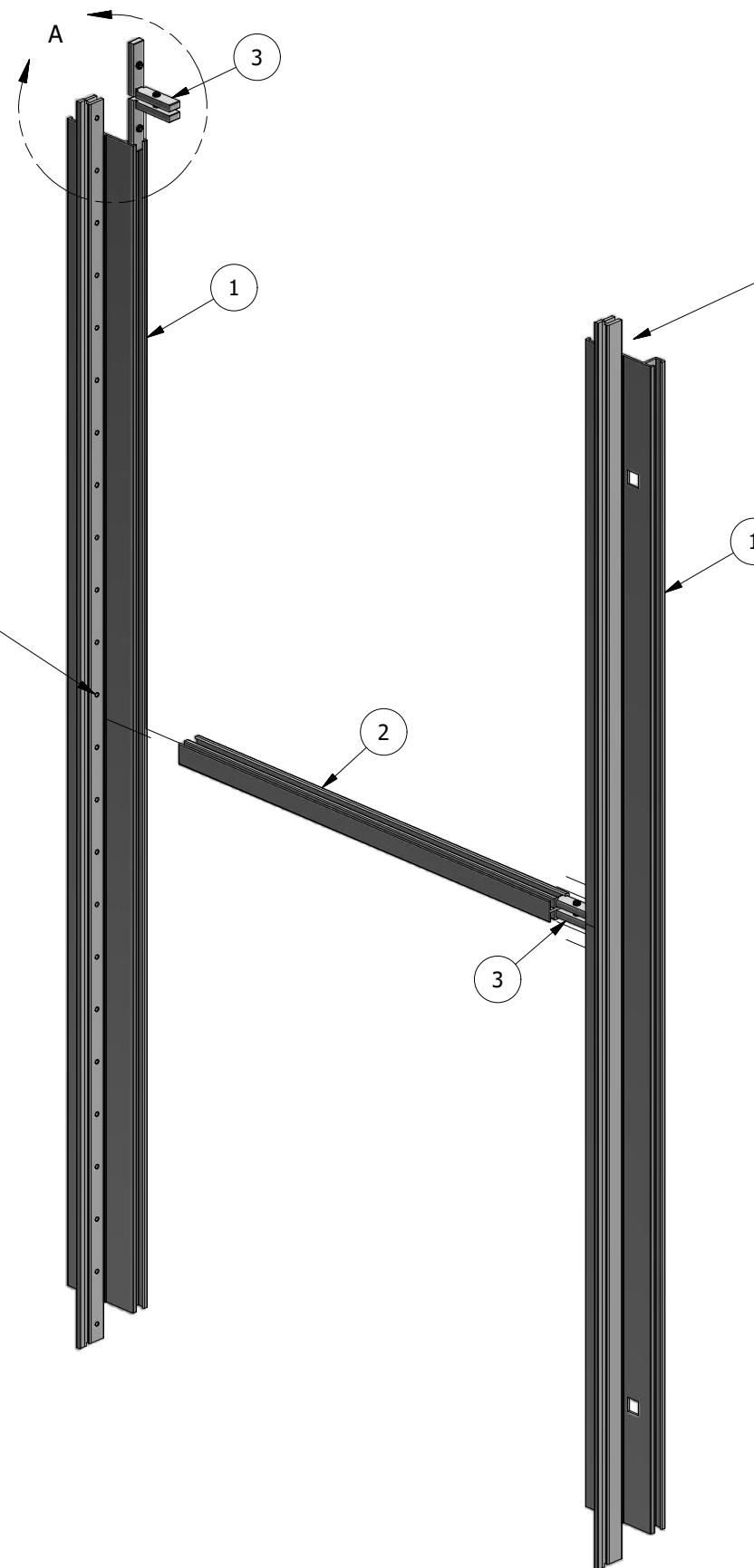


DETAIL A
External Divider Front View



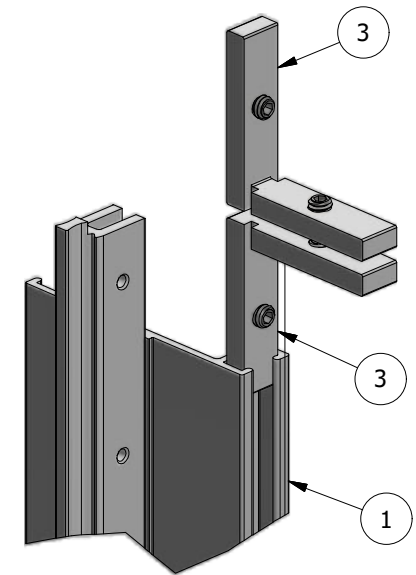
DETAIL A
External Divider Side View

(Optional) It is recommended to pre-drill the Hinge and Menu External Divider before assembly



Menu External Divider Notching

NOTE: Notching the Menu External Divider is required in order for the Divider(s) to fit into the Menu 5" SF Body, as directed on Assembly Sheet 3.



DETAIL A

THIS DRAWING WAS CREATED AT NO CHARGE TO ASSIST YOU IN VISUALIZING OUR PROPOSAL. THE DRAWING HEREIN IS THE PROPERTY OF SIGNCOMP. PERMISSION TO COPY OR REVISE THIS DRAWING OR TO USE IT FOR PRODUCTION IS STRICTLY PROHIBITED AND CAN ONLY BE COPIED, REVISED OR USED FOR PRODUCTION WITH THE EXPRESSED WRITTEN PERMISSION OF SIGNCOMP.

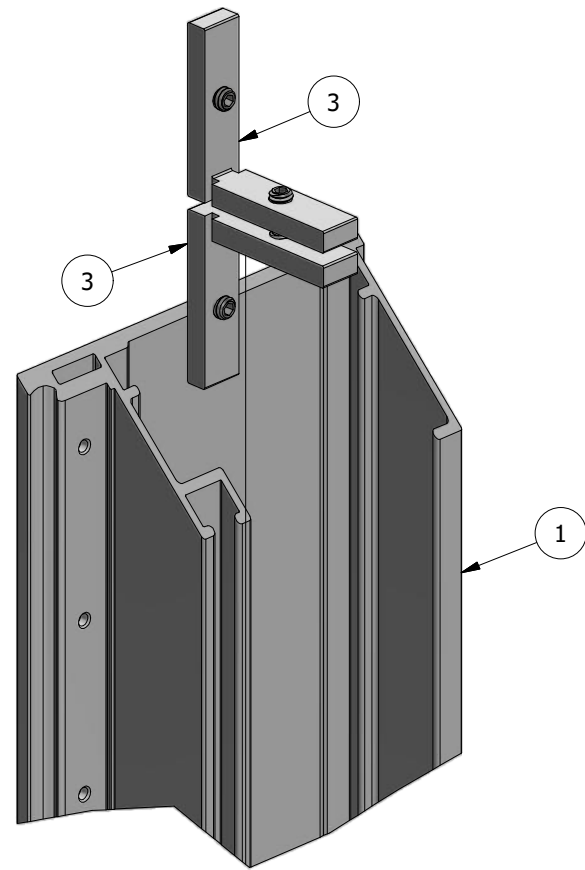
Project Name: Menu Board without Speaker	Sign Company:	Date: 8/7/2023	Revision:	Sheet: 2 of 9	Size: B	Drawing By: Steve	
--	----------------------	--------------------------	------------------	-------------------------	-------------------	-----------------------------	--

Assembly Sheet B

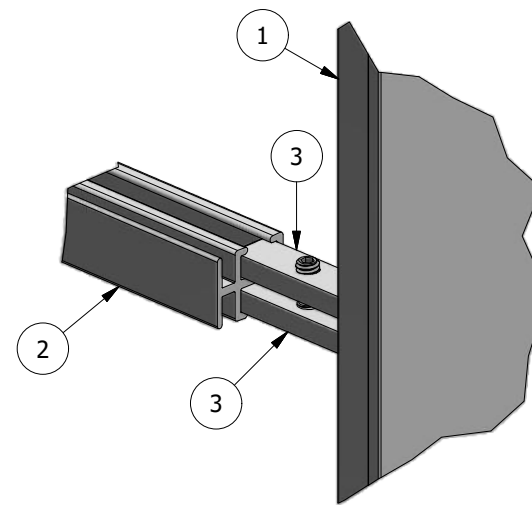
TABLE		
Item	Part #	Description
1	1802	Menu 5" Single Face Body
2	1807	Menu Internal Divider
3	5895	Menu Angle Assembly

- 1 - **(Optional)** It is recommended to pre-drill #8 countersink holes every 2" on center in the Hinge and Menu 5" Single Face Body, before assembly of the body. This will assist in making the installation of the Menu Door and Hinge smoother.
- 2 - Slide two (2) Menu Angle Assemblies in the slot of the Menu 5" Single Face Body. Slide the angle to the approximate location of the Menu Internal Divider. Repeat on opposite side.
- 3 - Align the Menu Angle Assemblies to the Menu Internal Divider and slide the Menu 5" Single Face Body vertical into position. Repeat on opposite side.

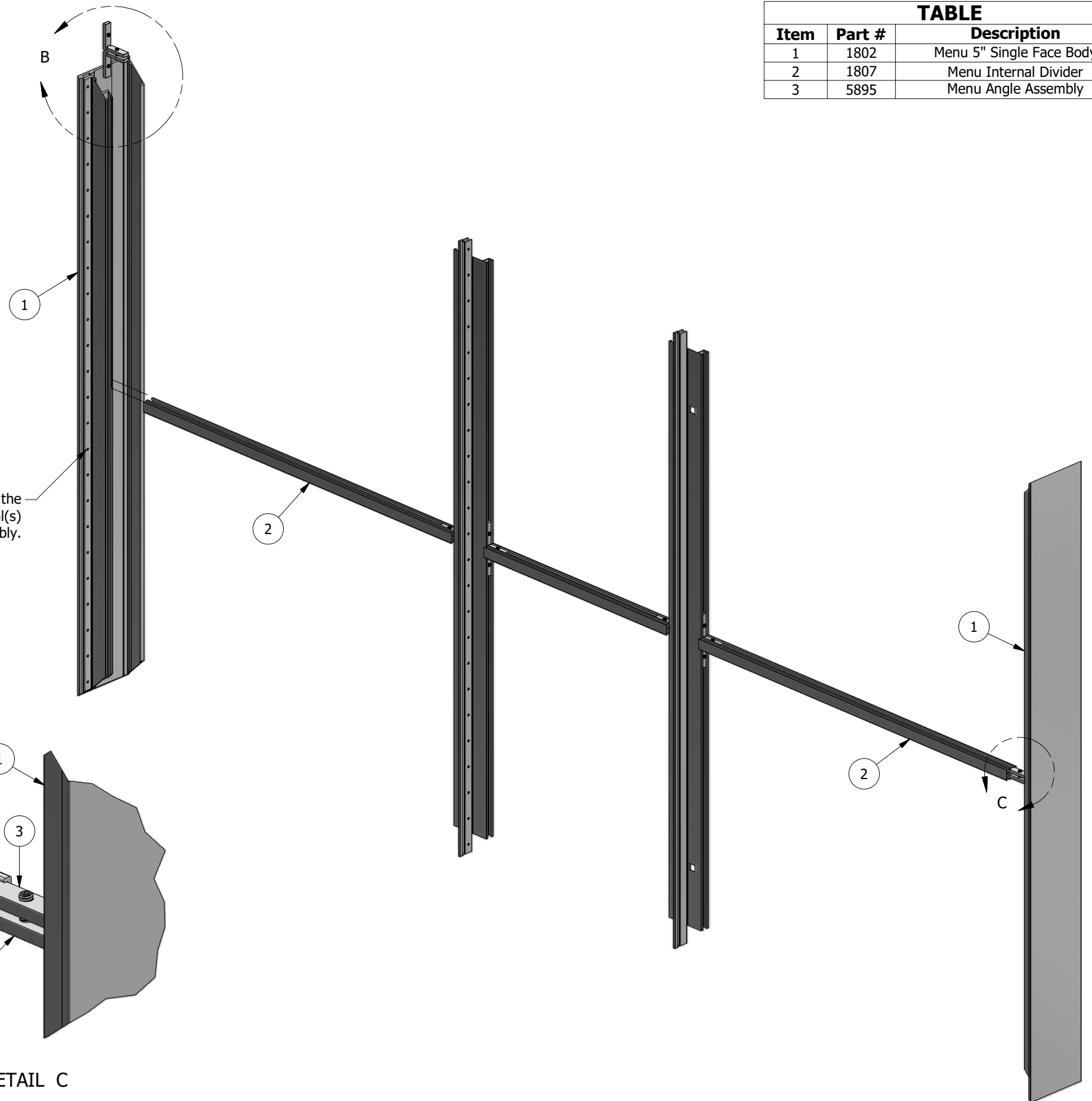
(Optional) It is recommended to pre-drill the Hinge and the Menu 5" SF Body vertical(s) before assembly.



DETAIL B



DETAIL C



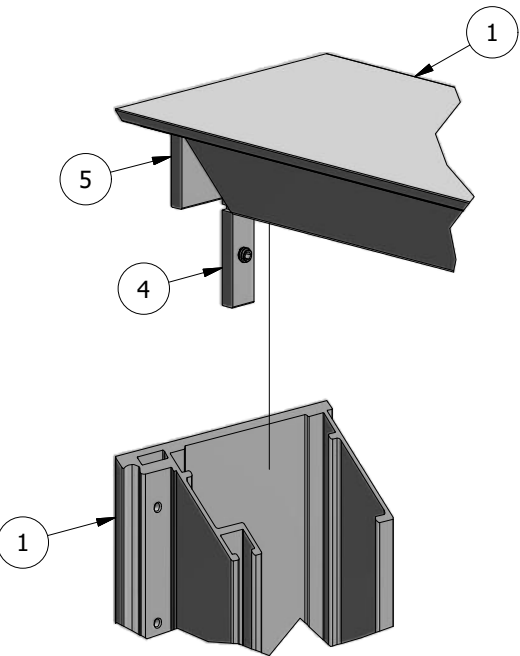
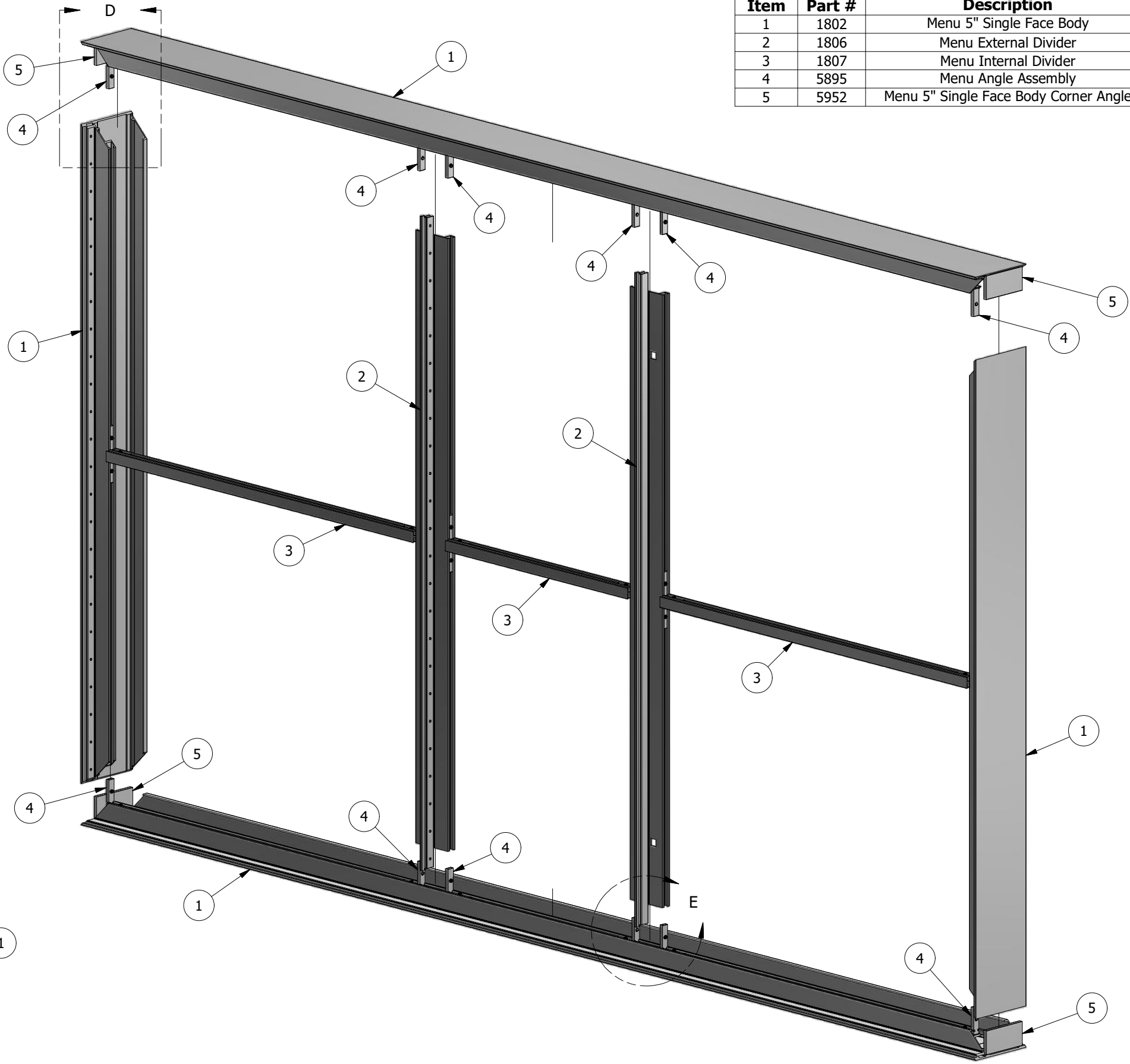
Z:\SignComp Library\Kit Assemblies\Drawings\Standard\Menu System\Menu Board Assembly Instructions - Multi Door - No Outer Menu Dividers.dwg THIS DRAWING WAS CREATED AT NO CHARGE TO ASSIST YOU IN VISUALIZING OUR PROPOSAL. THE DRAWING HEREIN IS THE PROPERTY OF SIGNCOMP. PERMISSION TO COPY OR REVISE THIS DRAWING OR TO USE IT FOR PRODUCTION IS STRICTLY PROHIBITED AND CAN ONLY BE COPIED, REVISED OR USED FOR PRODUCTION WITH THE EXPRESSED WRITTEN PERMISSION OF SIGNCOMP.

Project Name: Menu Board without Speaker	Sign Company:	Date: 8/7/2023	Revision:	Sheet: 3 of 9	Size: B	Drawing By: Steve	
--	----------------------	--------------------------	------------------	-------------------------	-------------------	-----------------------------	--

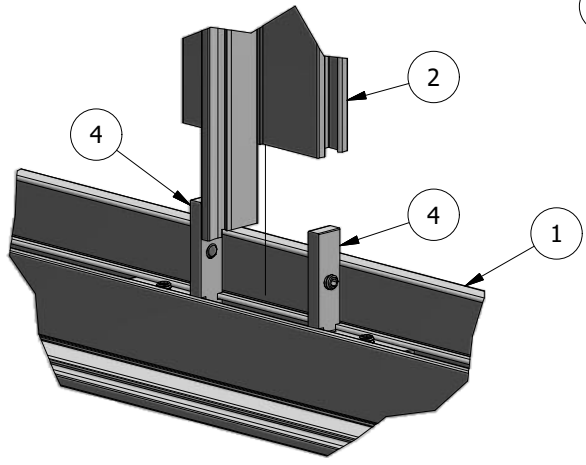
Assembly Sheet C

- 1 - Slide Two (2) pair of Menu Angle Assemblies per Divider End, into the slot in both the Menu 5" Single Face Body horizontals. Align the Menu Angle Assemblies with the Divider Ends.
- 2 - Insert One (1) Menu 5" Single Face Body Corner Angle into each end of the Menu 5" Single Face Body horizontals.
- 3 - Insert One (1) Menu Angle Assembly into each end of the Menu 5" Single Face Body horizontals.
- 4 - Align the Angles and slide the Body horizontals into the slots of the Body verticals and Menu External Divider(s).
- 5 - It is recommended to use a ratchet strap to draw the corners tight and assist with squaring up the cabinet. Tighten the set screws on the Menu Angle Assemblies in the corners. Weld or bond the Menu 5" Single Face Body Corner Angle(s) into place. **Recommended to attach a backer at this time.**
- 6 - Check the Menu External Divider(s) placement and tighten the set screws in the Menu Angle Assemblies.
- 7 - Move the Menu Internal Divider(s) into place and tighten the set screws in the Menu Angle Assemblies.

TABLE		
Item	Part #	Description
1	1802	Menu 5" Single Face Body
2	1806	Menu External Divider
3	1807	Menu Internal Divider
4	5895	Menu Angle Assembly
5	5952	Menu 5" Single Face Body Corner Angle



DETAIL D



DETAIL E

THIS DRAWING WAS CREATED AT NO CHARGE TO ASSIST YOU IN VISUALIZING OUR PROPOSAL. THE DRAWING HEREIN IS THE PROPERTY OF SIGNCOMP. PERMISSION TO COPY OR REVISE THIS DRAWING OR TO USE FOR PRODUCTION IS STRICTLY PROHIBITED AND CAN ONLY BE COPIED, REVISED OR USED FOR PRODUCTION WITH THE EXPRESSED WRITTEN PERMISSION OF SIGNCOMP.

Assembly Sheet D

TABLE		
Item	Part #	Description
1	1802	Menu 5" Single Face Body
2	1806	Menu External Divider
3	1809	Menu Clip
4	5241	Menu Clip Screw

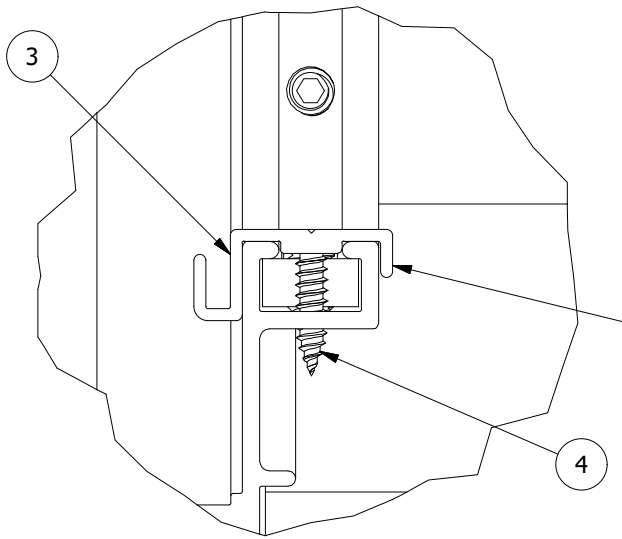
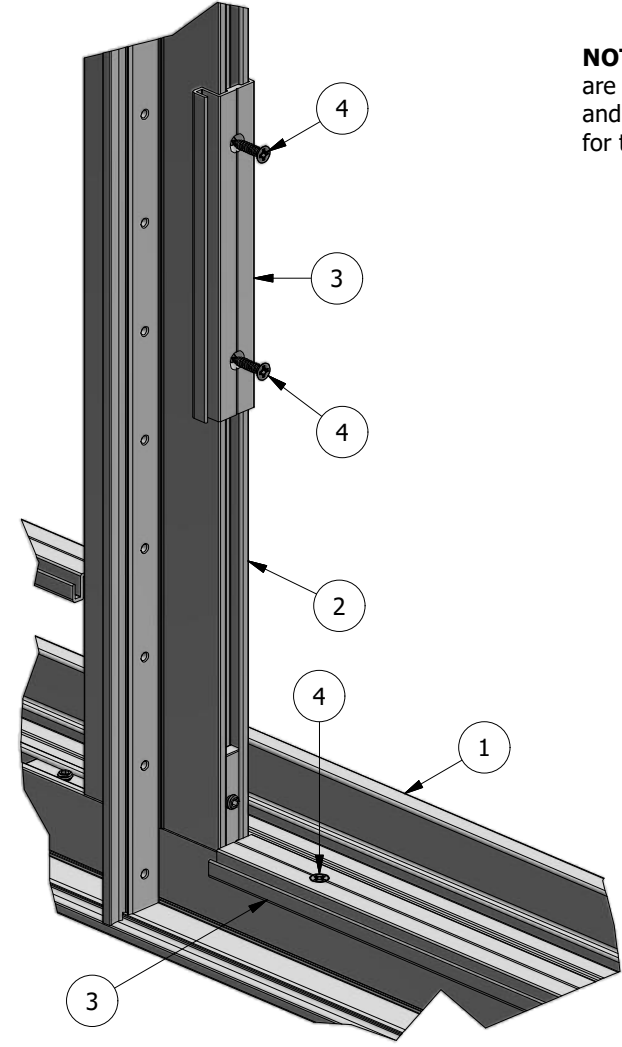
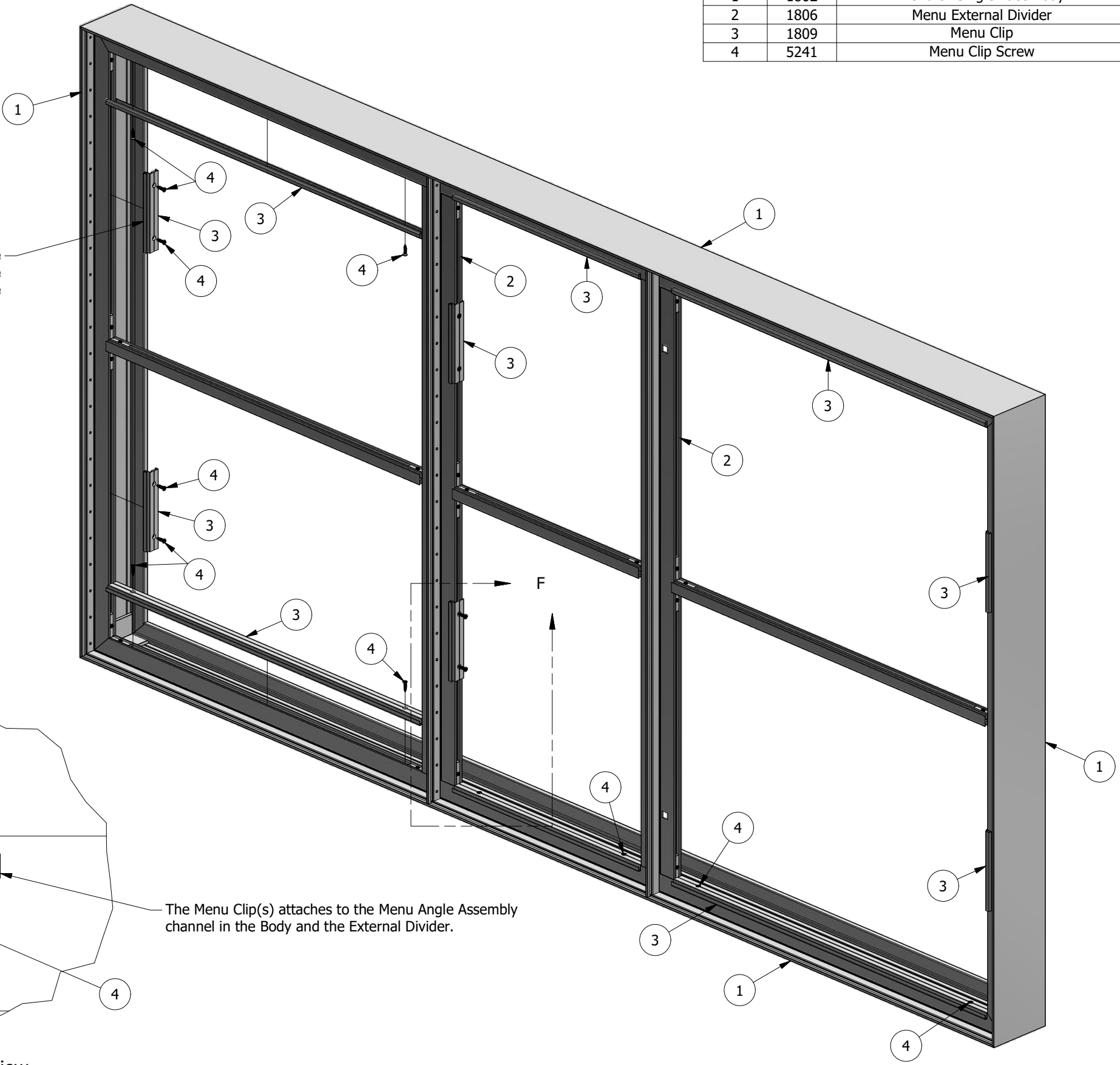
1 - Place the full sections of the Menu Clip(s) on the horizontal opening of the top and bottom sections of the Menu 5" Single Face Body for the first door. Drill #8 countersink holes into the Menu Clip and Body. Attach the fasteners to secure the Menu Clip in place.

2 - Place the 6" Menu Clip(s) on the vertical opening(s) of the Hinge side of the Menu 5" Single Face Body and/or the Menu External Divider, at the mid point of the menu area. Drill #8 countersink holes into the Menu Clip(s) and Body/Divider. Attach the fasteners to secure the Menu Clip(s) in place.

3 - Repeat steps 1 and 2 for every Menu Door opening.

Side Menu Clips are placed on the same side as the hinge

NOTE: All the shorter segments of Menu Clip(s), are placed on the verticals of the Menu 5" Single Face Body and Menu External Divider(s) that contain the hinge for the Menu Door(s).



The Menu Clip(s) attaches to the Menu Angle Assembly channel in the Body and the External Divider.

Cross-Section View
Menu Clip Attachment

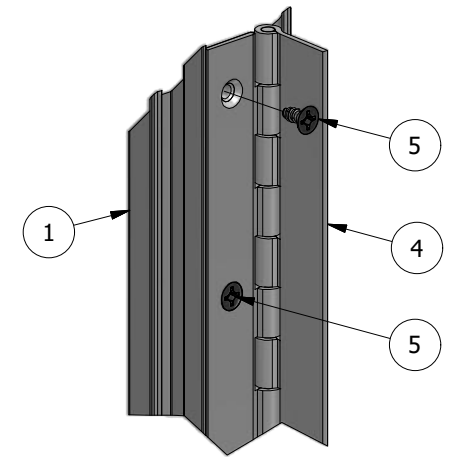
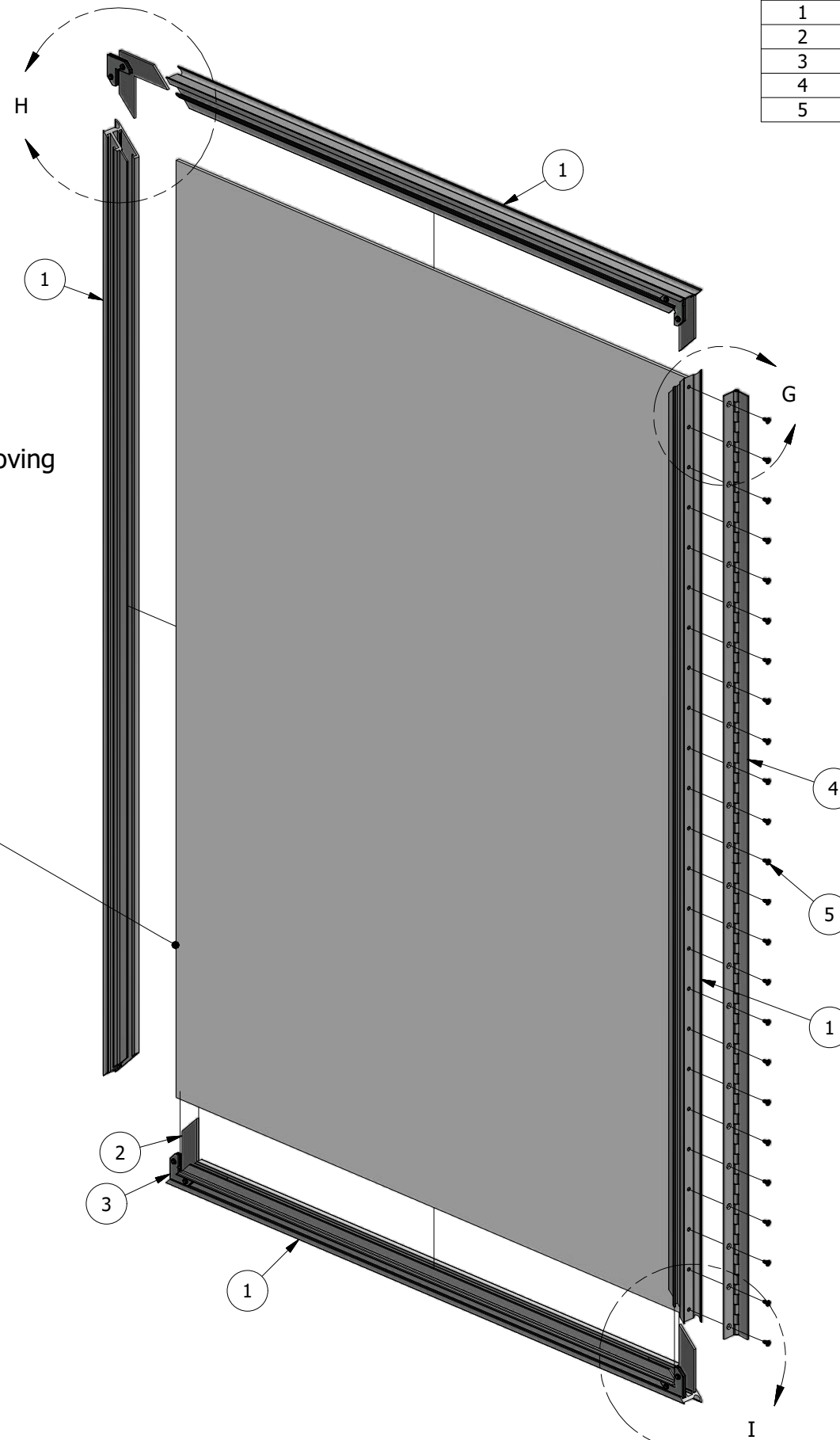
THIS DRAWING WAS CREATED AT NO CHARGE TO ASSIST YOU IN VISUALIZING OUR PROPOSAL. THE DRAWING HEREIN IS THE PROPERTY OF SIGNCOMP. PERMISSION TO COPY OR REVISE THIS DRAWING OR TO USE FOR PRODUCTION IS STRICTLY PROHIBITED AND CAN ONLY BE COPIED, REVISED OR USED FOR PRODUCTION WITH THE EXPRESSED WRITTEN PERMISSION OF SIGNCOMP.

DETAIL F

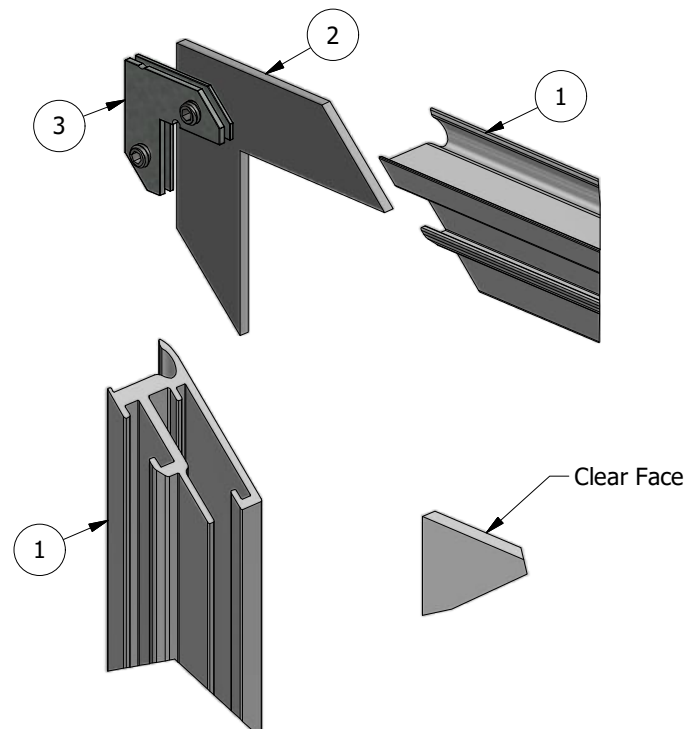
Assembly Sheet E

- 1 - Place the Large Hinge on the designated vertical side of the Menu Door Frame as needed. Pre-drill #8 countersink holes every 2" on center through the Large Hinge and Menu Door Frame. Insert the Hinge Screws. (Note: Check to see that the head of the screw is completely flush with the surface of the hinge.) Detail G
- 2 - Slide the 2 Piece Corner Keys and the 3/4" Corner Keys into the slots in both ends of the two (2) horizontal top and bottom Menu Door Frames.
- 3 - Align the Corner Keys and slide the horizontal top Menu Door Frame into the vertical Menu Door Frames.
- 4 - **(Optional)** Insert Clear Face into Door Frame. Face can be slid into the Frame at a later time, by loosening the set screws in the 2 Piece Corner Keys on one of the non-hinging sides and removing the piece of the Menu Door Frame. Detail I
- 5 - Align the Corner Keys and slide the remaining piece of Menu Door Frame into the verticals. Detail I
- 6 - It is recommended to use a ratchet strap to draw the corners tight and assist with squaring up the frame. Tighten the set screws on each of the Four (4) 2 Piece Corner Keys securing the frame. Detail H Assembled
- 7 - Repeat steps 1-6 for remaining doors as required.

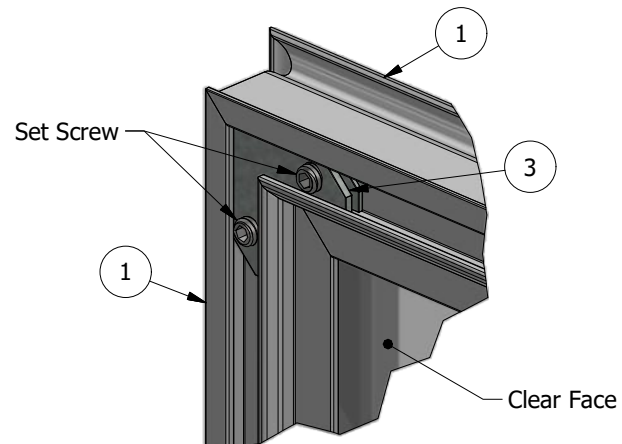
TABLE		
Item	Part #	Description
1	1804	Menu Door Frame
2	5226	3/4" Corner Key
3	5890	2 Piece Corner Key
4	5997	Large Hinge
5	5193	Hinge Screw



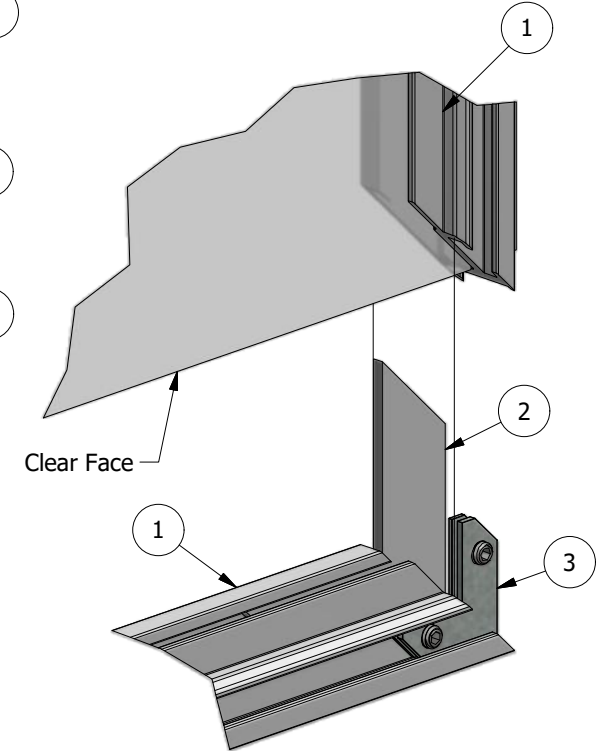
DETAIL G
ASSEMBLED



DETAIL H
Unassembled



DETAIL H
Assembled

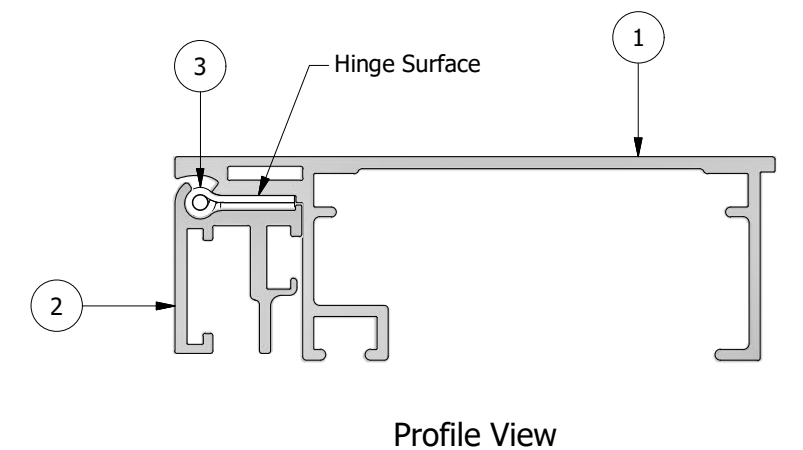
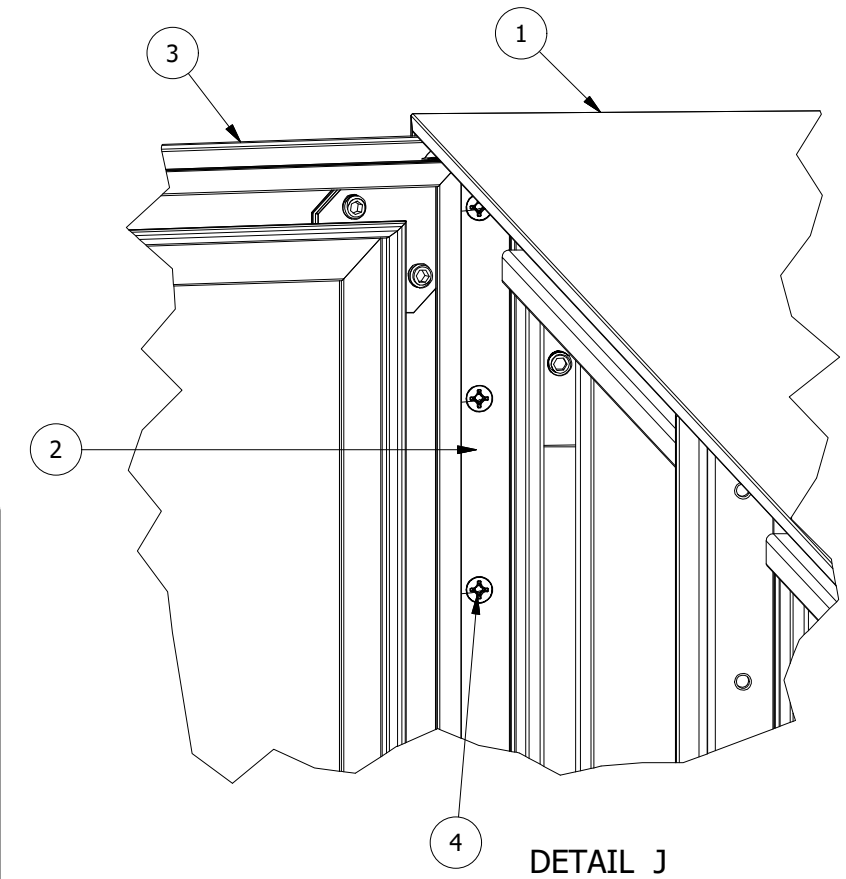
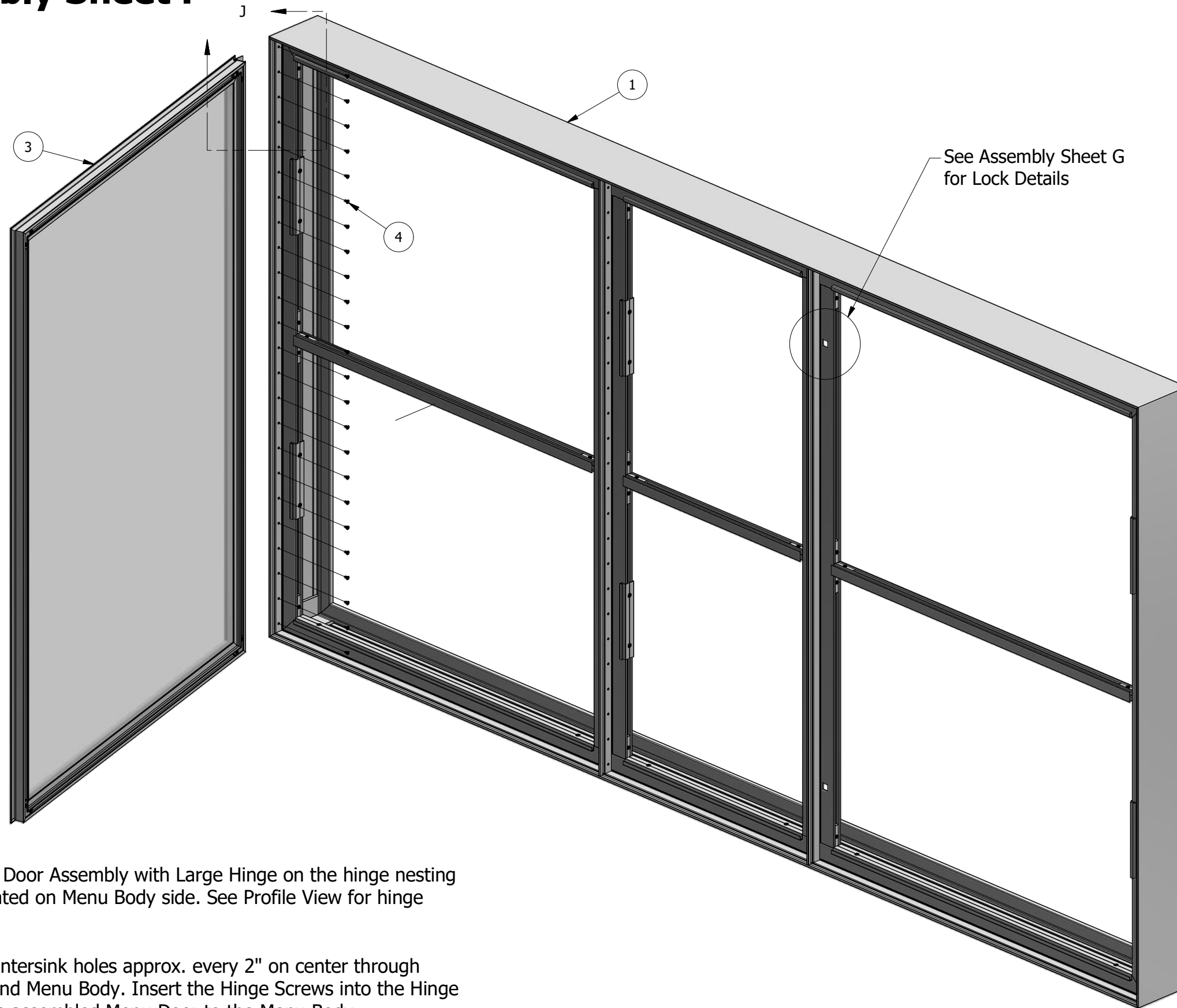


DETAIL I

THIS DRAWING WAS CREATED AT NO CHARGE TO ASSIST YOU IN VISUALIZING OUR PROPOSAL. THE DRAWING HEREIN IS THE PROPERTY OF SIGNCOMP. PERMISSION TO COPY OR REVISE THIS DRAWING OR TO USE IT FOR PRODUCTION IS STRICTLY PROHIBITED AND CAN ONLY BE COPIED, REVISED OR USED FOR PRODUCTION WITH THE EXPRESSED WRITTEN PERMISSION OF SIGNCOMP.

Assembly Sheet F

TABLE		
Item	Part #	Description
1	1802	Menu 5" Single Face Body - Assembly
2	1804	Menu Door Frame - Assembly
3	5997	Large Hinge
4	5193	Hinge Screw



1 - Place Menu Door Assembly with Large Hinge on the hinge nesting surface located on Menu Body side. See Profile View for hinge placement.

2 - Drill #8 countersink holes approx. every 2" on center through the Hinge and Menu Body. Insert the Hinge Screws into the Hinge securing the assembled Menu Door to the Menu Body.

3 - If multiple Menu Doors exist, and the Menu Body and External Dividers were not previously pre-drilled earlier in the assembly process, repeat seps 1 & 2 at this time.

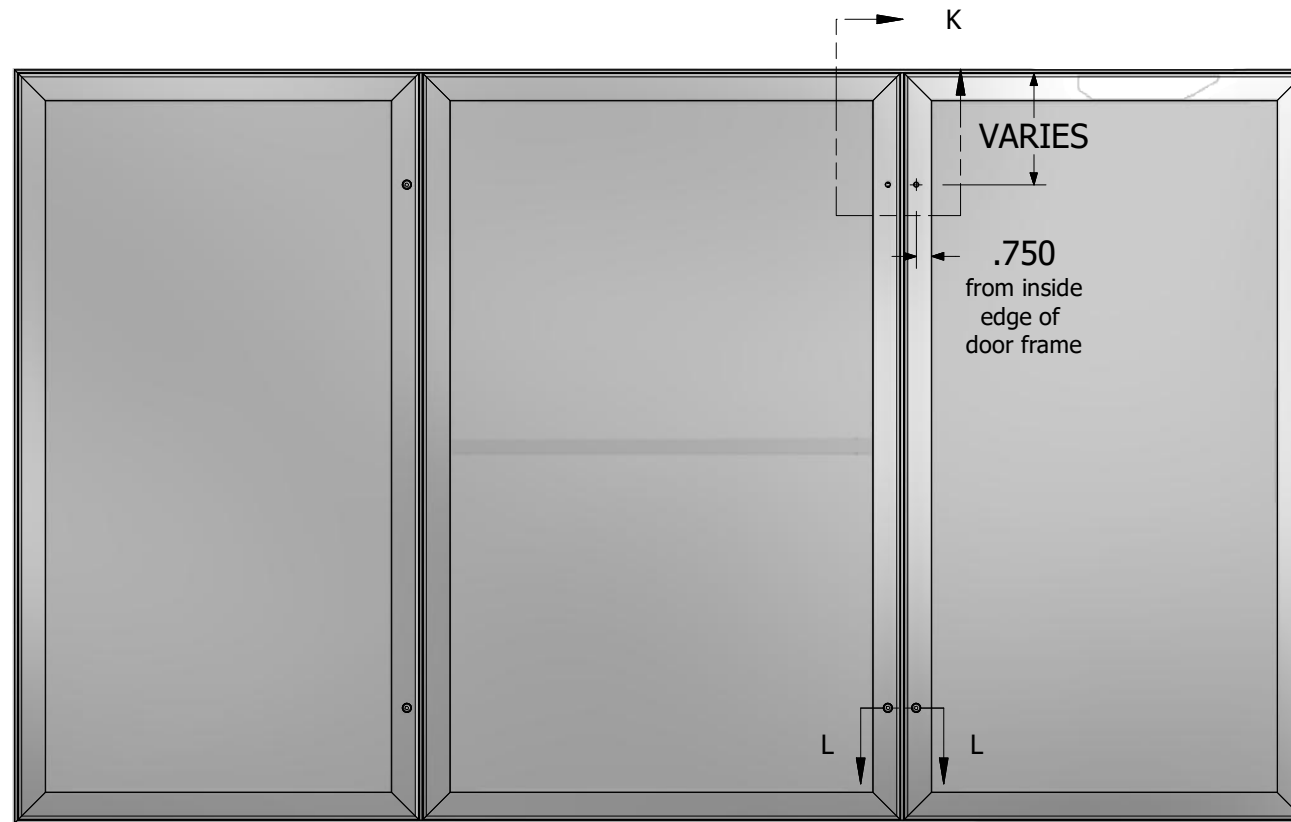
Z:\SignComp Library\Kit Assemblies\Drawings\Standard\Menu System\Menu Board Assembly Instructions - Multi Door - No Outer Menu Dividers.dwg THIS DRAWING WAS CREATED AT NO CHARGE TO ASSIST YOU IN VISUALIZING OUR PROPOSAL. THE DRAWING HEREIN IS THE PROPERTY OF SIGNCOMP. PERMISSION TO COPY OR REVISE THIS DRAWING OR TO USE FOR PRODUCTION IS STRICTLY PROHIBITED AND CAN ONLY BE COPIED, REVISED OR USED FOR PRODUCTION WITH THE EXPRESSED WRITTEN PERMISSION OF SIGNCOMP.

Project Name: Menu Board without Speaker	Sign Company:	Date: 8/7/2023	Revision:	Sheet: 7 of 9	Size: B	Drawing By: Steve	
--	----------------------	--------------------------	------------------	-------------------------	-------------------	-----------------------------	--

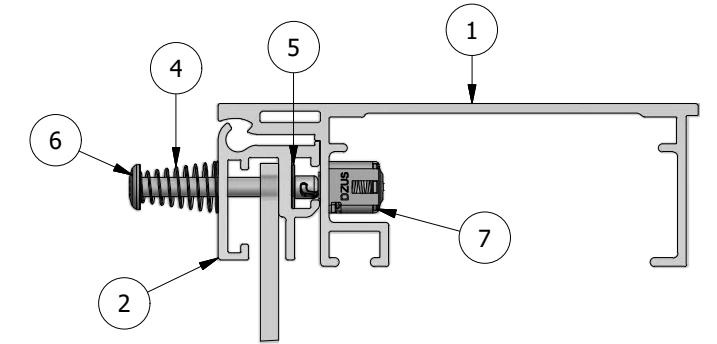
Assembly Sheet G

Lock Installation

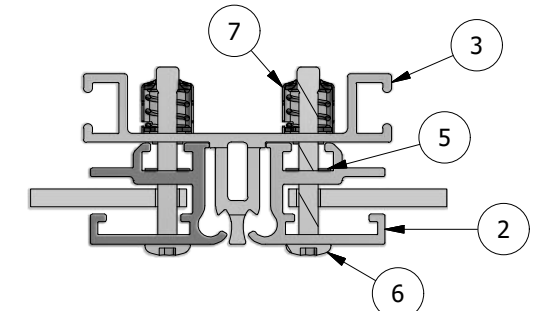
- 1 - Once the assembled Menu Doors have been attached to the cabinet, and in the closed position, use a 1/4" drill bit to drill through the Door Frame and the External Divider or Body (depending on where lock is placed). See DOOR CLOSED detail
- 2 - Open the Door and now use a 1/2" drill bit to enlarge the hole in the External Divider or Body. See DOOR OPEN detail
- 3 - Place the Clear Adhesive Template provided, over the 1/2" hole, aligning the RED crosshairs to the center of the hole. See DETAIL K
- 4 - Use an aluminum flat file to square out the hole as indicated by the BLUE lines on the template.
- 5 - Assemble the 1/4 Turn Lock into the cabinet as shown. See LOCK ASSEMBLY



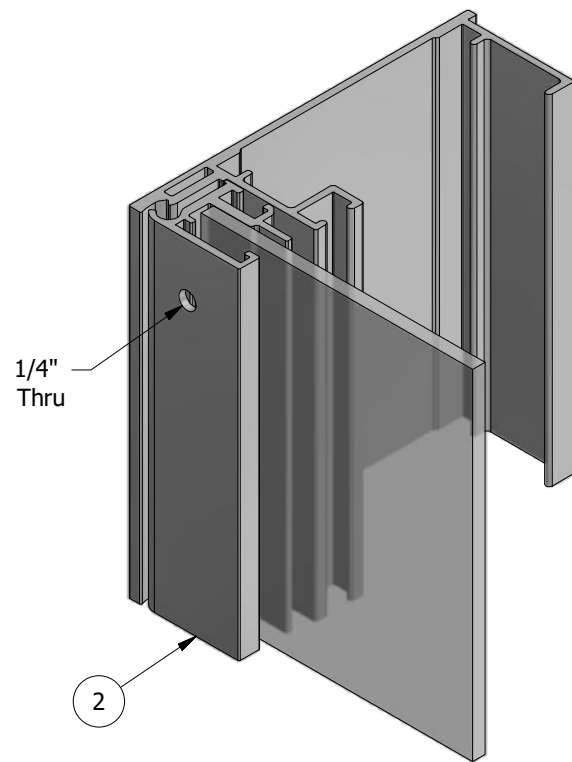
PARTS LIST		
ITEM	PART #	DESCRIPTION
1	1802	Menu 5" Single Face Body
2	1804	Menu Door Frame
3	1806	Menu External Divider
4		Spring
5		1/4 Turn Keeper
6		Captive Fastener
7		1/4 Turn Receiver



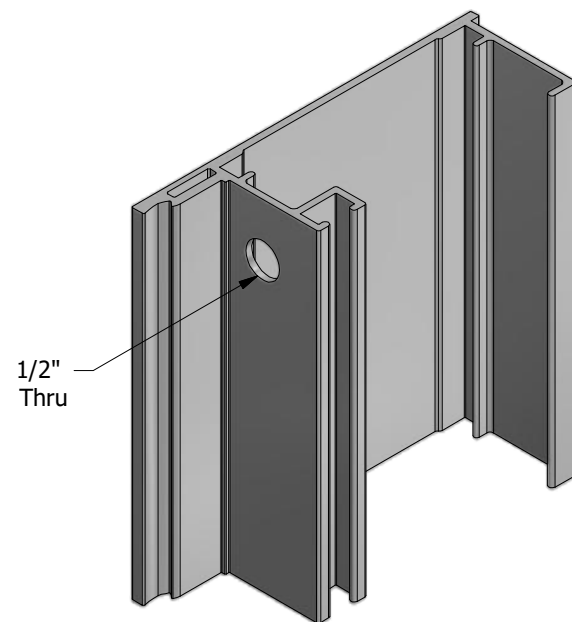
CROSS-SECTION THRU BODY



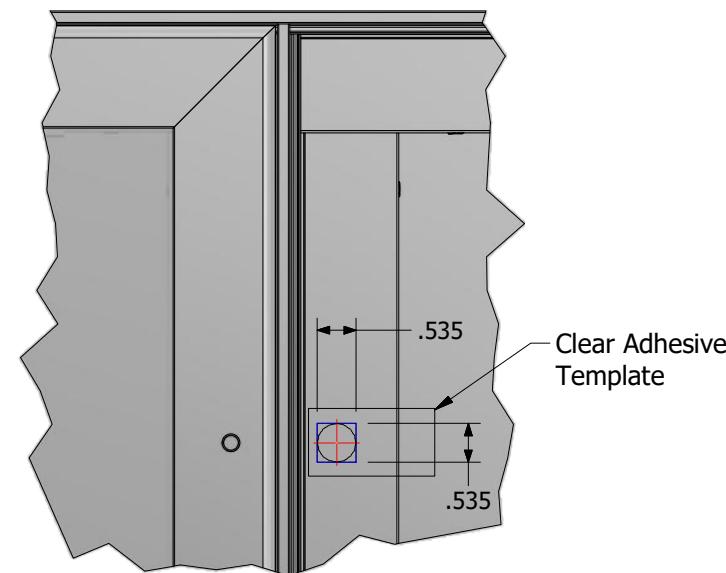
CROSS-SECTION THRU EXT. DIVIDER SECTION L



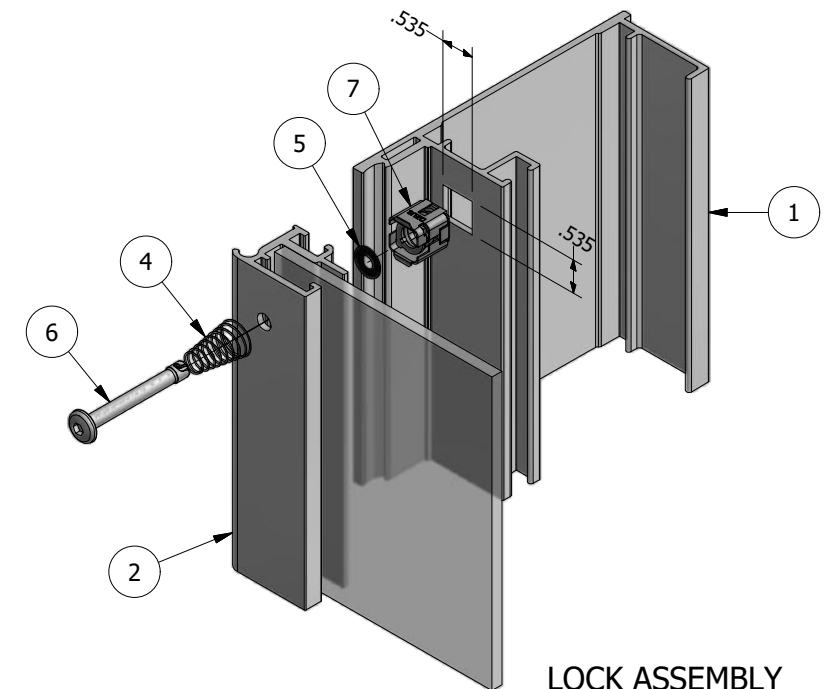
DOOR CLOSED



DOOR OPEN



DETAIL K

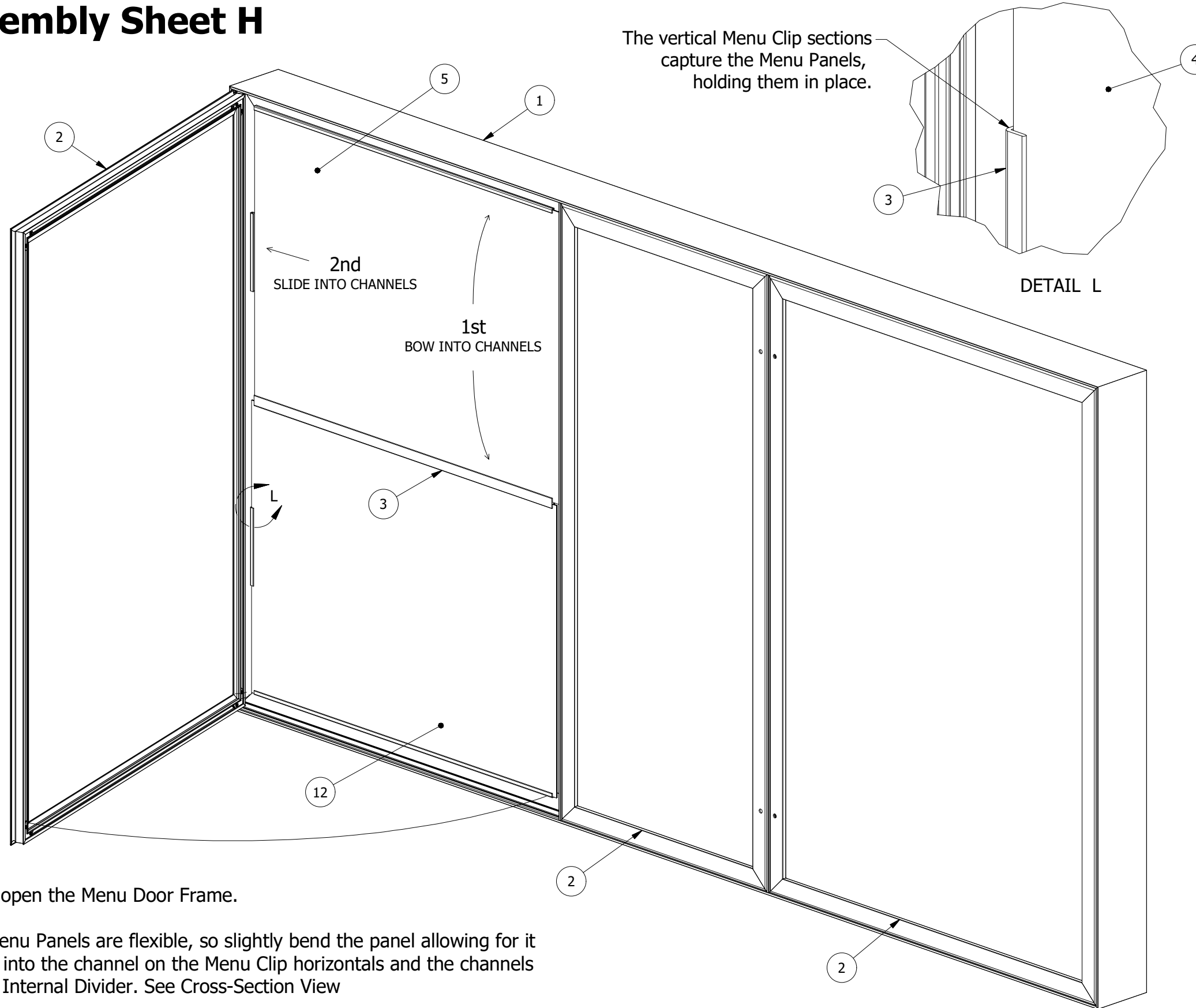


LOCK ASSEMBLY

THIS DRAWING WAS CREATED AT NO CHARGE TO ASSIST YOU IN VISUALIZING OUR PROPOSAL. THE DRAWING HEREIN IS THE PROPERTY OF SIGNCOMP. PERMISSION TO COPY OR REVISE THIS DRAWING OR TO USE FOR PRODUCTION IS STRICTLY PROHIBITED AND CAN ONLY BE COPIED, REVISED OR USED FOR PRODUCTION WITH THE EXPRESSED WRITTEN PERMISSION OF SIGNCOMP.

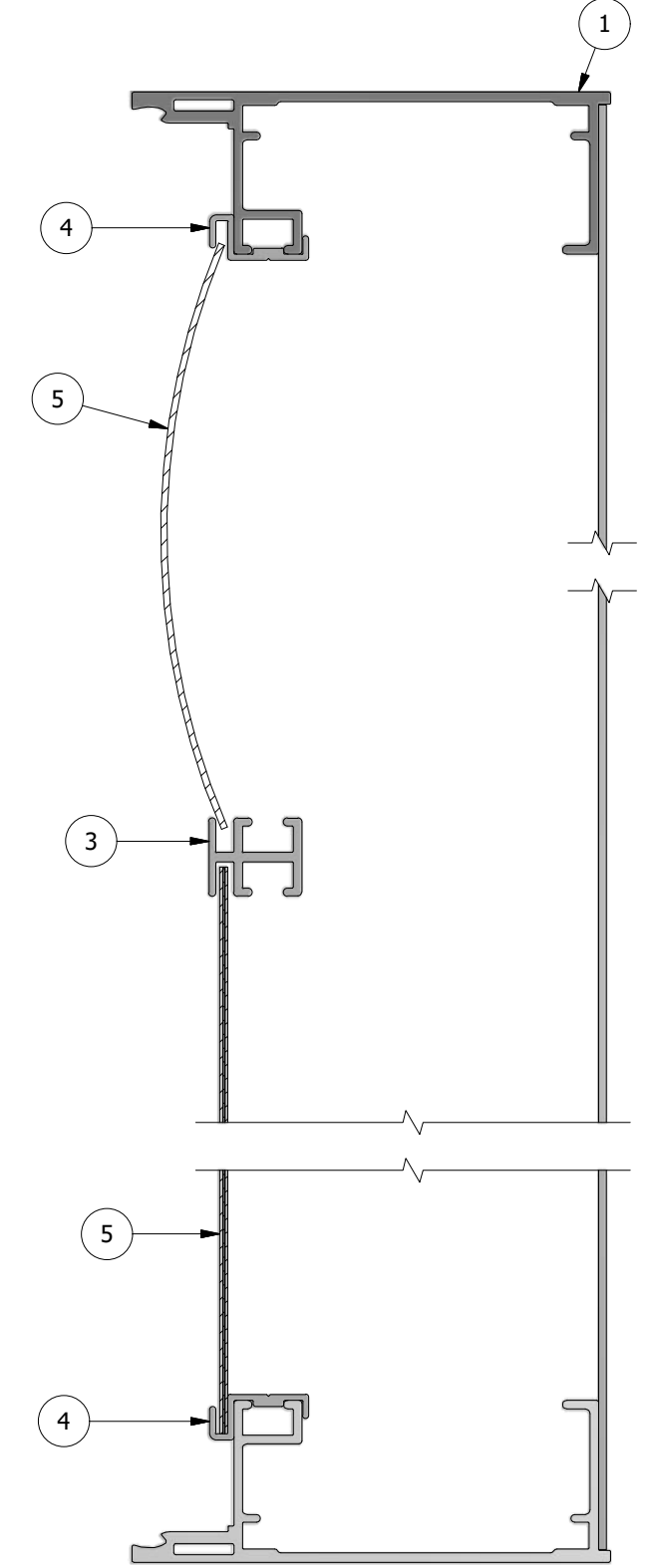
Project Name: Menu Board without Speaker	Sign Company:	Date: 8/7/2023	Revision:	Sheet: 8 of 9	Size: B	Drawing By: Steve	
--	----------------------	--------------------------	------------------	-------------------------	-------------------	-----------------------------	--

Assembly Sheet H



The vertical Menu Clip sections capture the Menu Panels, holding them in place.

TABLE		
Item	Part #	Description
1	1802	Menu 5" Single Face Body - Assembly
2	1804	Menu Door Frame - Assembly
3	1807	Menu Internal Divider
4	1809	Menu Clip
5		Menu Panel - Assembly



Cross -Section View
Menu Panel Installation

- 1 - Hinge open the Menu Door Frame.
- 2 - The Menu Panels are flexible, so slightly bend the panel allowing for it to slip into the channel on the Menu Clip horizontals and the channels of the Internal Divider. See Cross-Section View
- 3 - Slide the Menu Panel Assembly into the vertical Menu Clip that is attached to the Menu Body / Menu External Divider in order to hold in place.
- 4 - Repeat steps 1-3 for every Menu Door.

THIS DRAWING WAS CREATED AT NO CHARGE TO ASSIST YOU IN VISUALIZING OUR PROPOSAL. THE DRAWING HEREIN IS THE PROPERTY OF SIGNCOMP. PERMISSION TO COPY OR REVISE THIS DRAWING OR TO USE IT FOR PRODUCTION IS STRICTLY PROHIBITED AND CAN ONLY BE COPIED, REVISED OR USED FOR PRODUCTION WITH THE EXPRESSED WRITTEN PERMISSION OF SIGNCOMP.