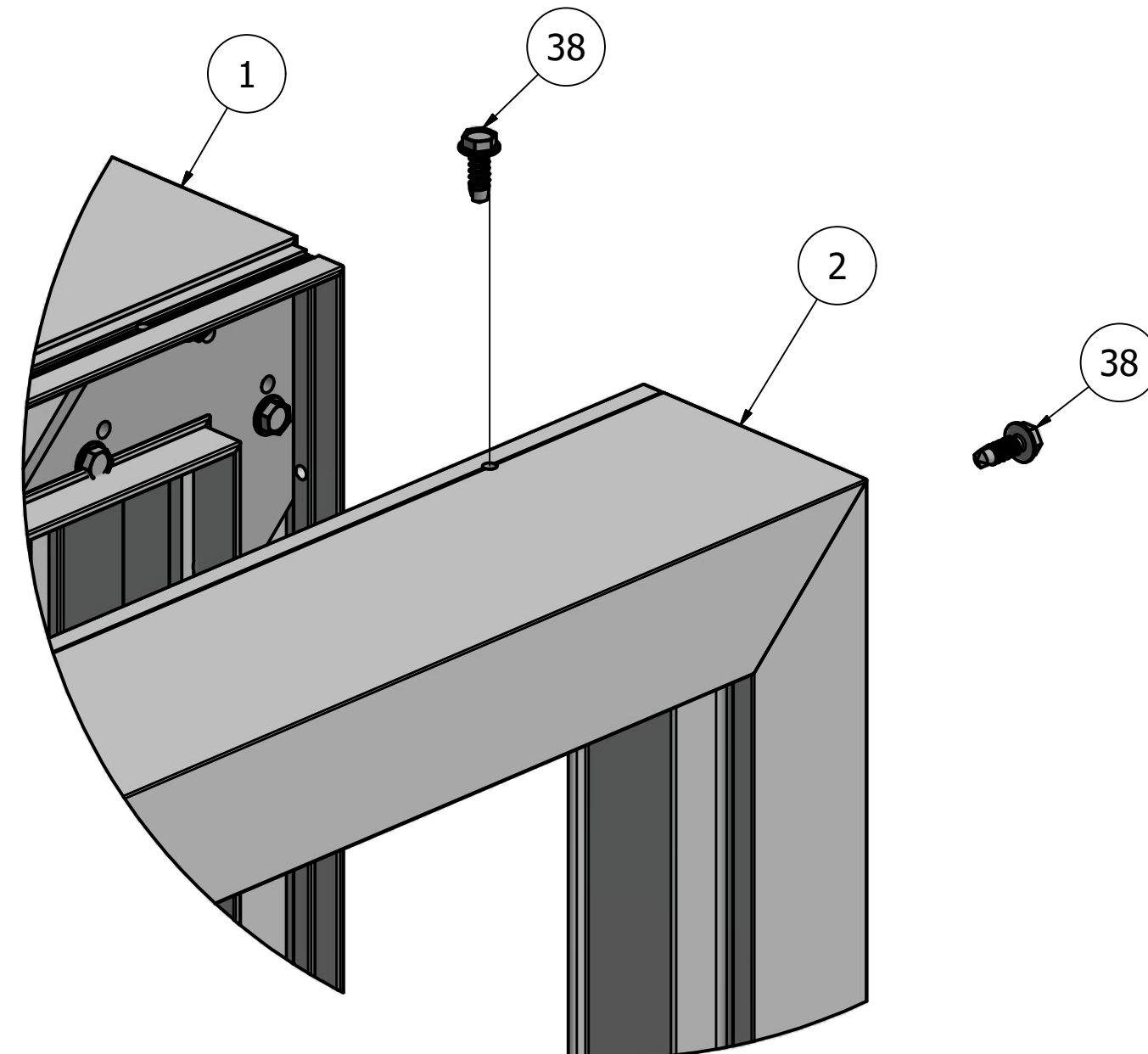
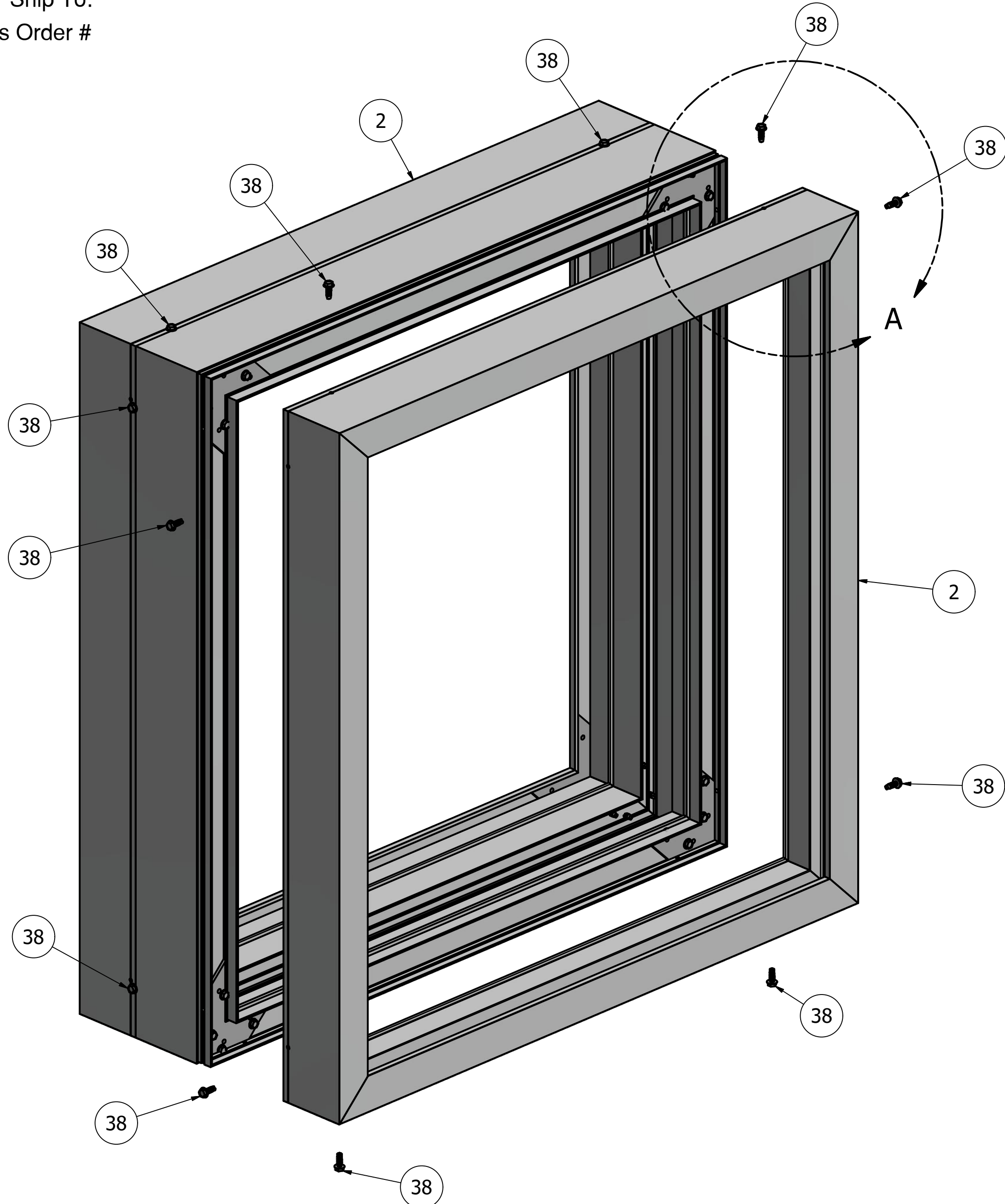


Parts List			
ITEM	PART #	DESCRIPTION	NOTES
1	2036	Medium Double Face Filler	Assembly
2	2058	Extended Econo Molding	Assembly
38	5290	Extended Econo Molding Screw	Drill 1/8" Pilot Hole, 12" on center

Ship To:  
Sales Order #



DETAIL A

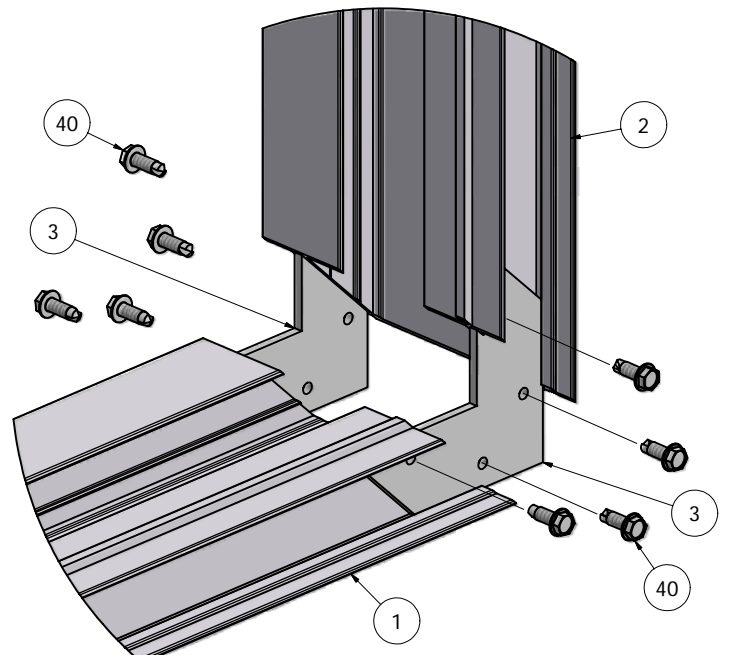
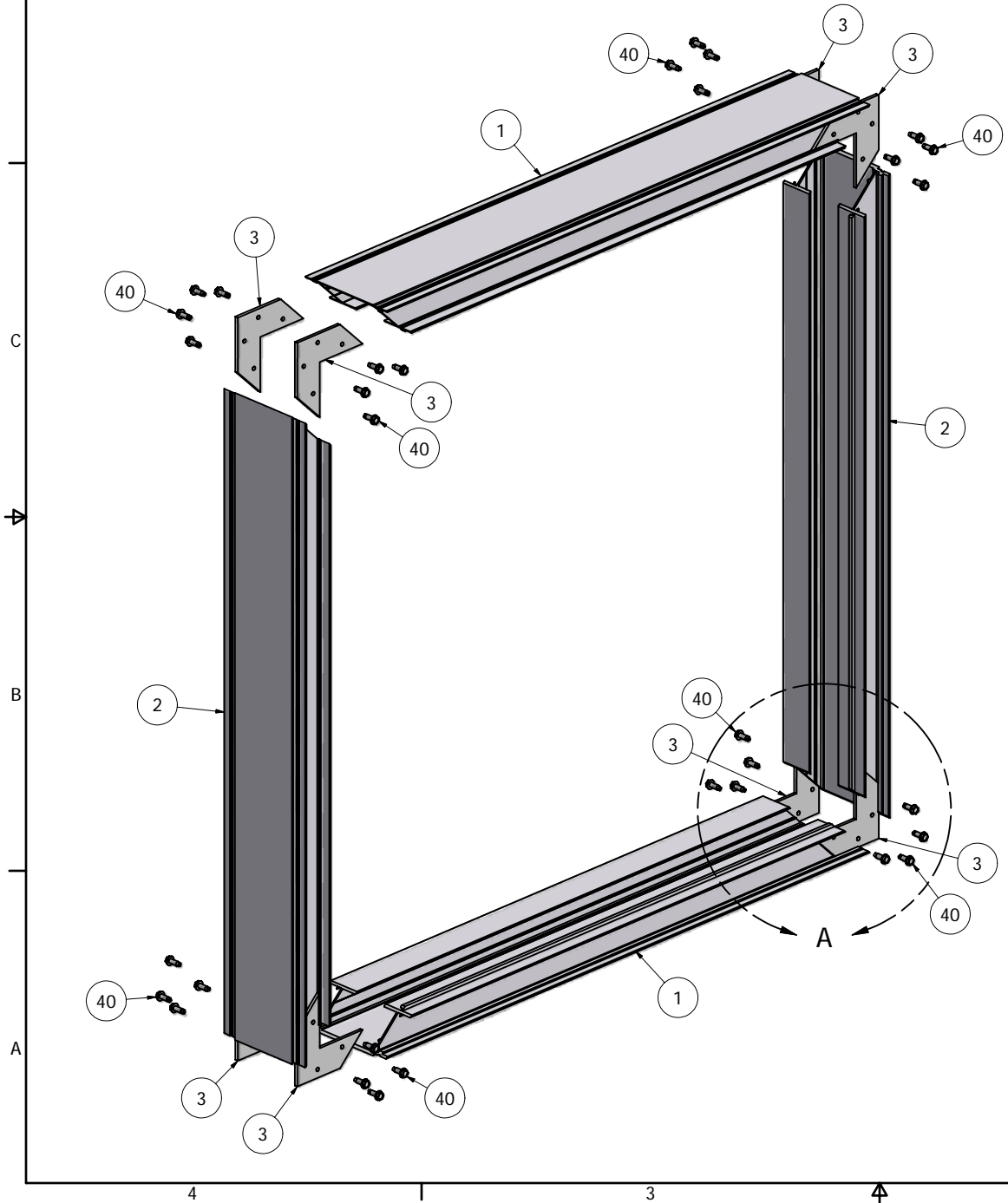
**NOTE: PRE-CUT KITS ARE NOT PRE-DRILLED.**  
(Holes shown in this drawing are for reference only.  
Drilling of pilot holes are to be done by fabricator.)

THIS DRAWING WAS CREATED AT NO CHARGE TO ASSIST YOU IN VISUALIZING OUR PROPOSAL. THE DRAWING HEREIN IS THE PROPERTY OF SIGNCOMP. PERMISSION TO COPY OR REVISE THIS DRAWING OR TO USE THIS DRAWING FOR PRODUCTION IS STRICTLY PROHIBITED AND CAN ONLY BE COPIED, REVISED OR USED FOR PRODUCTION WITH THE EXPRESSED WRITTEN PERMISSION OF SIGNCOMP.

DRAWN Steve	12/18/2008	<b>SignComp</b>		
CHECKED				
QA		TITLE Medium Double Filler with Extended Econo Molding - Assembly		
MFG		SIZE C	DWG NO 2036/58	REV
APPROVED		SCALE	SHEET 1 OF 1	

Parts List			
ITEM	PART #	DESCRIPTION	NOTES
1	2036	Medium Double Filler	Top & Bottom
2	2036	Medium Double Filler	Sides
3	5210	Corner Key	Pre-Punched
40	5217	Corner Key Screw	Self Drilling/Tapping

Ship To:  
Order Number:



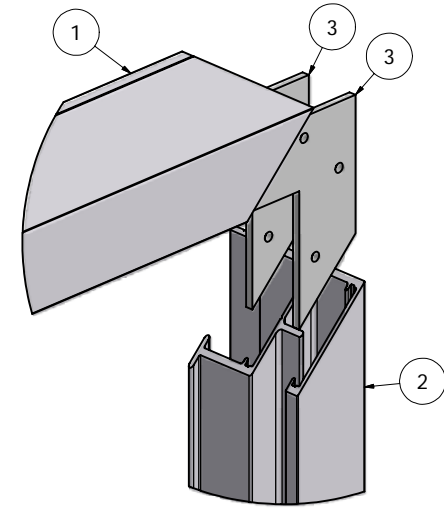
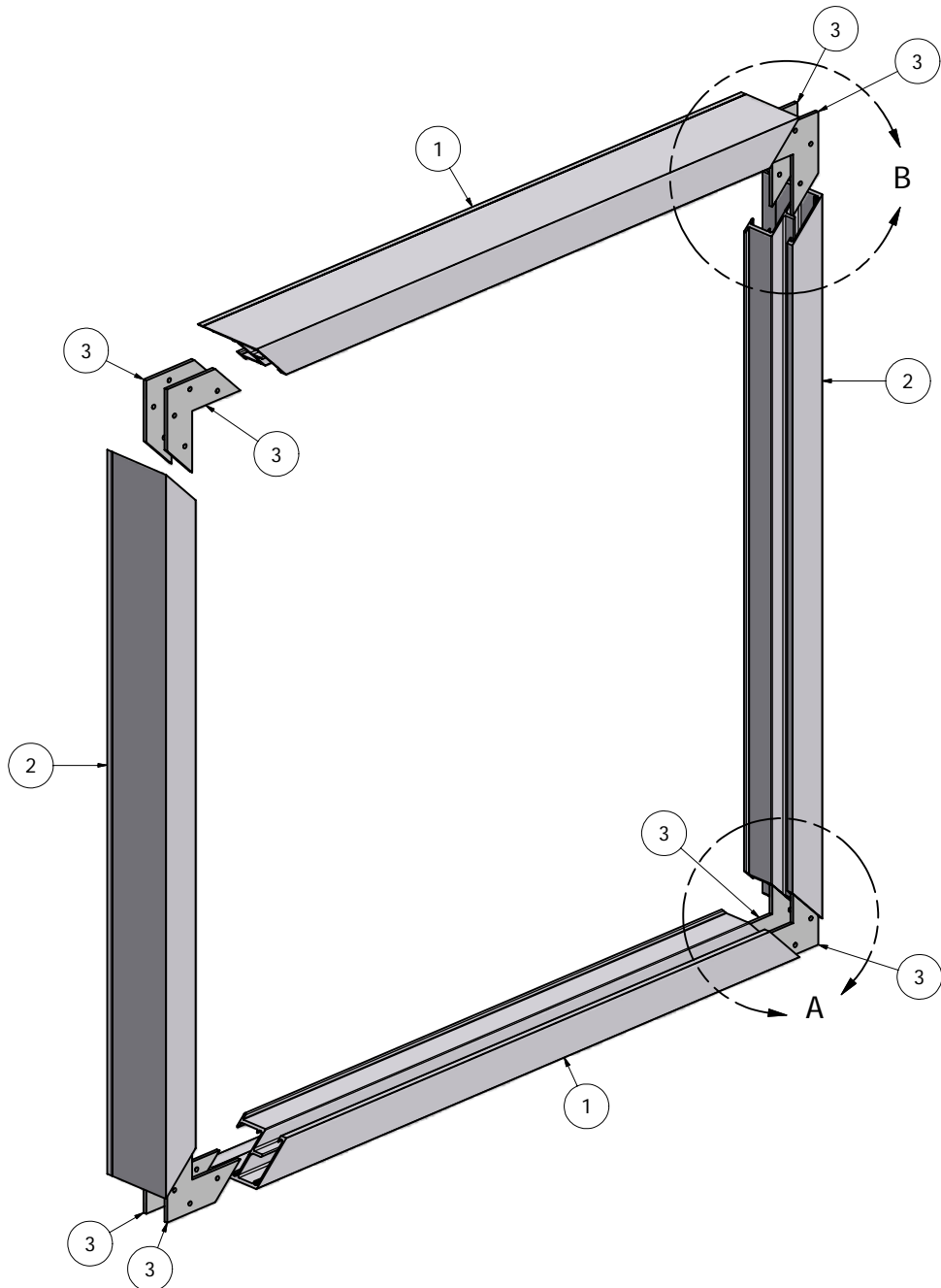
DETAIL A

**NOTE: PRE-CUT KITS ARE NOT PRE-DRILLED.**  
(Holes shown in this drawing are for reference only.  
Drilling of pilot holes are to be done by fabricator.)

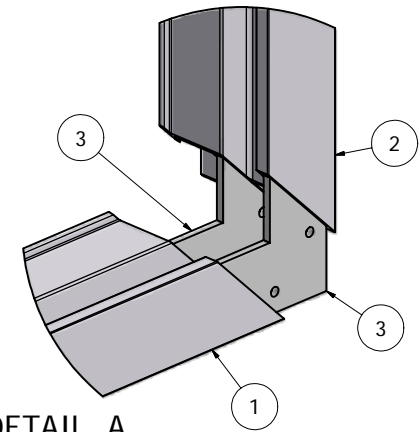
THIS DRAWING WAS CREATED AT NO CHARGE TO ASSIST YOU IN VISUALIZING OUR PROPOSAL. THE DRAWING HEREIN IS THE PROPERTY OF SIGNCOMP. PERMISSION TO COPY OR REVISE THIS DRAWING OR TO USE THIS DRAWING FOR PRODUCTION IS STRICTLY PROHIBITED AND CAN ONLY BE COPIED, REVISED OR USED FOR PRODUCTION WITH THE EXPRESSED WRITTEN PERMISSION OF SIGNCOMP.				
DRAWN Steve	12/18/2008	<h1>SignComp</h1> <p>TITLE Medium Double Face Filler - Assembly</p>		
CHECKED				
QA				
MFG				
APPROVED		SIZE C	DWG NO K2036	REV
		SCALE	SHEET 1 OF 1	

Parts List			
ITEM	PART #	DESCRIPTION	NOTES
1	2058	Extended Econo Molding	Top & Bottom
2	2058	Extended Econo Molding	Sides
3	5210	Corner Key	Pre-Punched

Ship To:  
Order Number:



DETAIL B



DETAIL A

**NOTE: PRE-CUT KITS ARE NOT PRE-DRILLED.**

(Holes shown in this drawing are for reference only.  
Drilling of pilot holes are to be done by fabricator.)

THIS DRAWING WAS CREATED AT NO CHARGE TO ASSIST YOU IN VISUALIZING OUR PROPOSAL. THE DRAWING HEREIN IS THE PROPERTY OF SIGNCOMP. PERMISSION TO COPY OR REVISE THIS DRAWING OR TO USE THIS DRAWING FOR PRODUCTION IS STRICTLY PROHIBITED AND CAN ONLY BE COPIED, REVISED OR USED FOR PRODUCTION WITH THE EXPRESSED WRITTEN PERMISSION OF SIGNCOMP.

DRAWN Steve	12/18/2008	<b>SignComp</b>	
CHECKED			
QA		TITLE Extended Econo Molding - Assembly	
MFG		SIZE C	DWG NO K2058
APPROVED		SCALE	REV
		SHEET 1 OF 1	