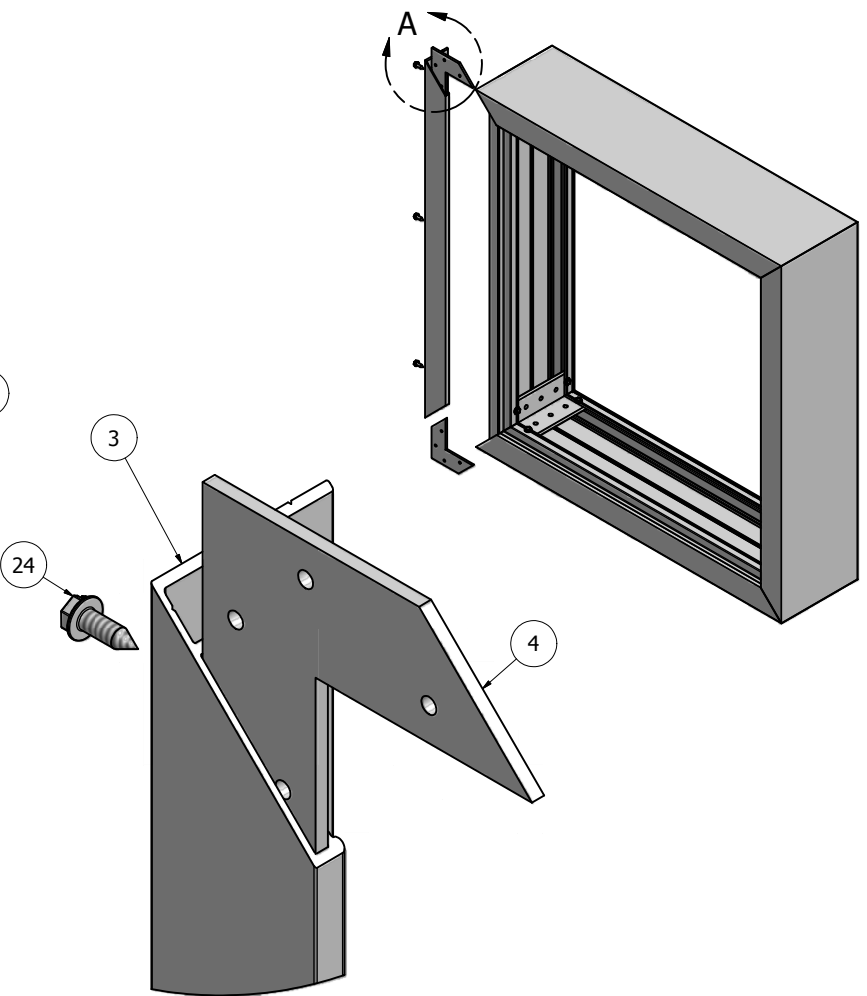
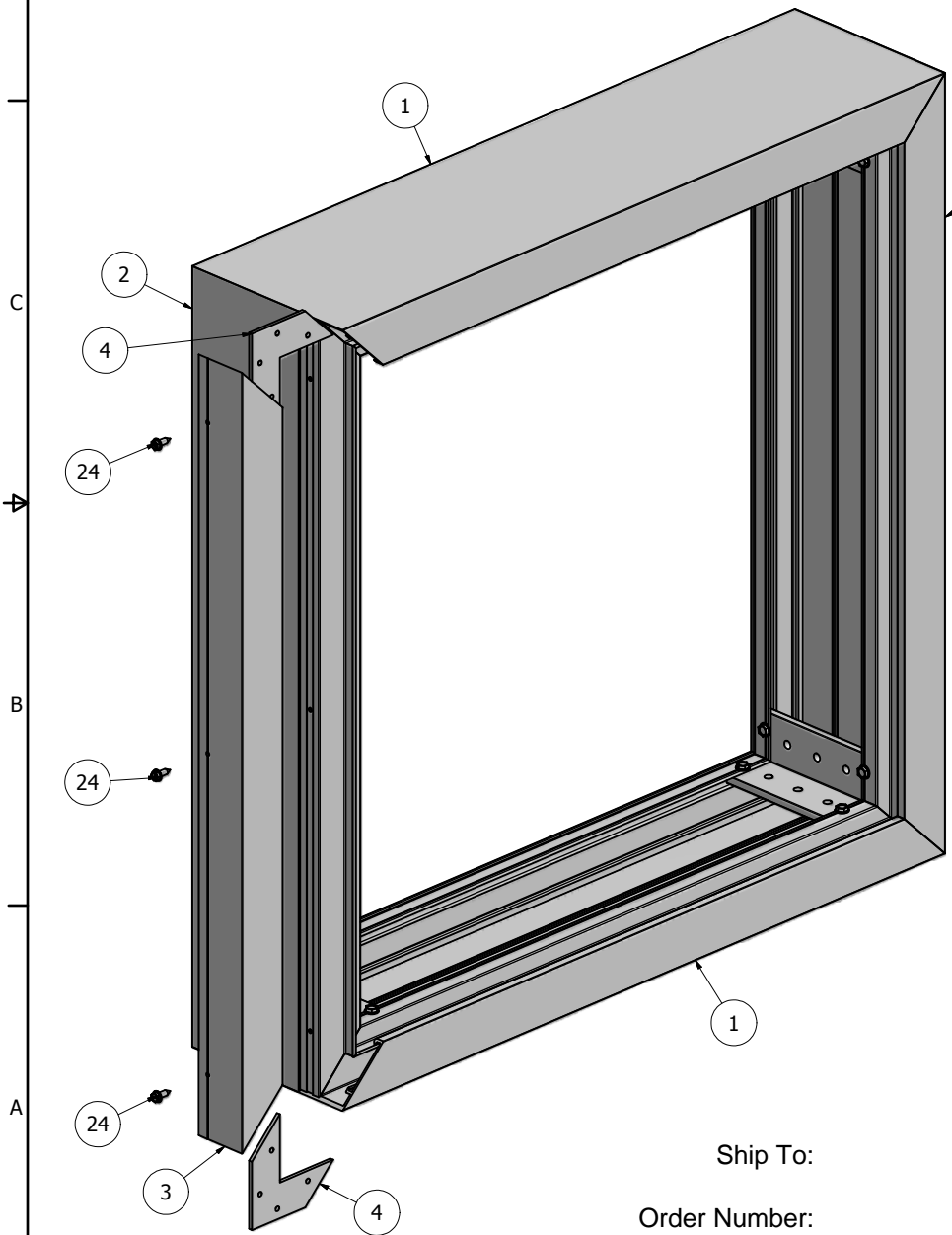


Parts List			
ITEM	PART #	DESCRIPTION	NOTES
1	1921	1Part 6" Single Face Body	Top, Bottom and One Side
2	1926	2Part 6" Single Face Body	One Side
3	1944	2Part Retainer	
4	5210	Corner Key	
24	5290	2Part Retainer Screw	Drill 1/8" Pilot Hole, 10" - 12" on center



DETAIL A

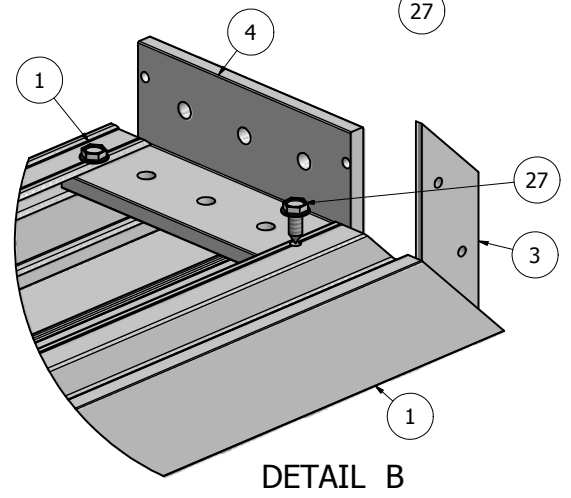
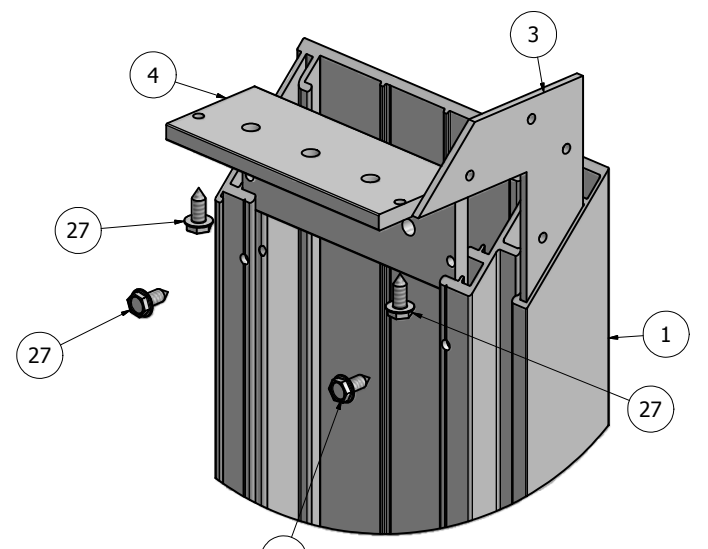
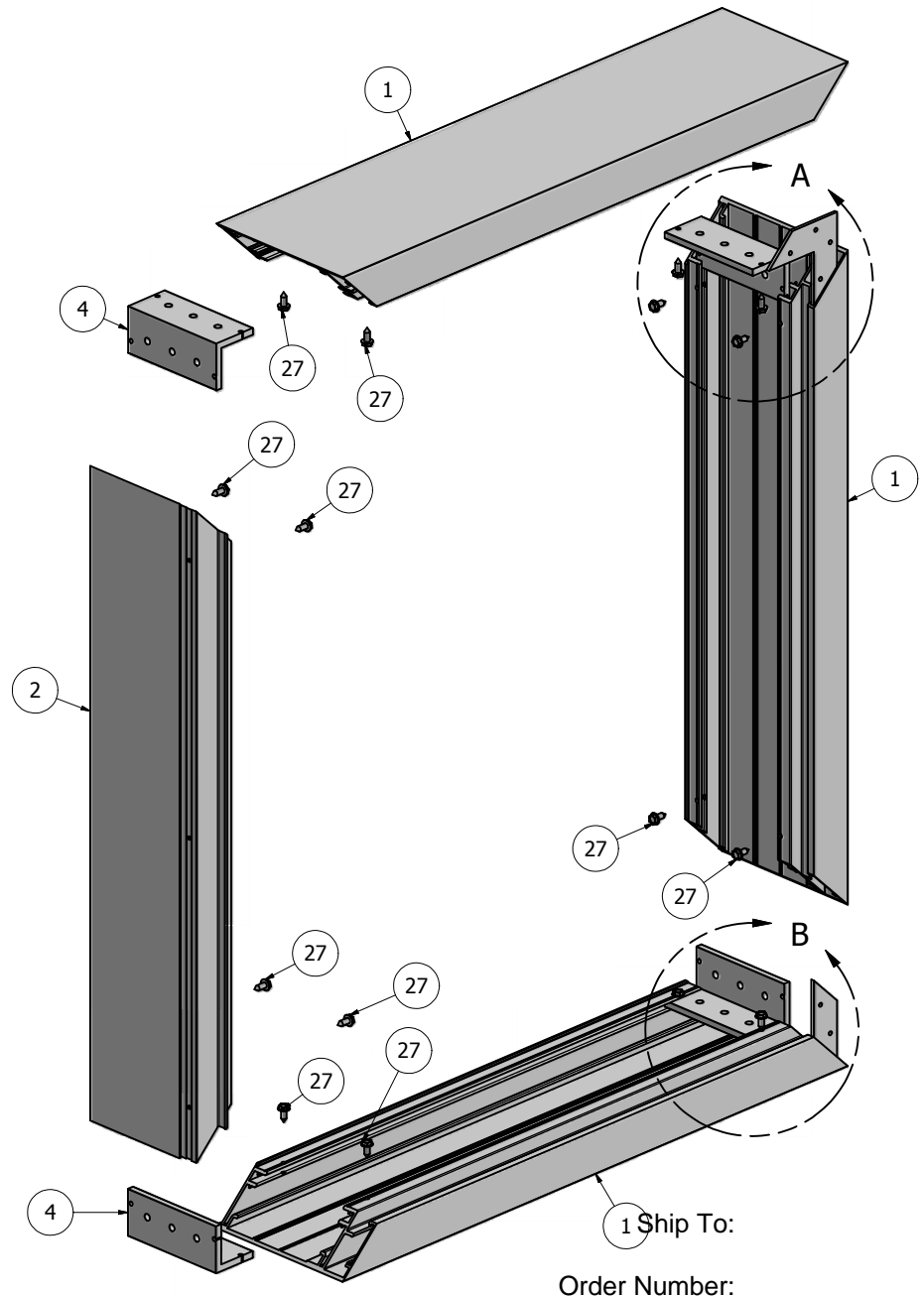
NOTE: PRE-CUT KITS ARE NOT PRE-DRILLED.
 (Holes shown in this drawing are for reference only.
 Drilling of pilot holes are to be done by fabricator.)

THIS DRAWING WAS CREATED AT NO CHARGE TO ASSIST YOU IN VISUALIZING OUR PROPOSAL. THE DRAWING HEREIN IS THE PROPERTY OF SIGNCOMP. PERMISSION TO COPY OR REVISE THIS DRAWING OR TO USE THIS DRAWING FOR PRODUCTION IS STRICTLY PROHIBITED AND CAN ONLY BE COPIED, REVISED OR USED FOR PRODUCTION WITH THE EXPRESSED WRITTEN PERMISSION OF SIGNCOMP.

DRAWN	6/15/2010	SignComp	
Steve			
CHECKED		TITLE	
QA		1Part 2Part 6" Single Face Body - 2Part Retainer - Assembly	
MFG		SIZE	DWG NO
APPROVED		C	1921-26-44
		SCALE	REV
			SHEET 1 OF 1

Ship To:
 Order Number:

Parts List			
ITEM	PART #	DESCRIPTION	NOTES
1	1921	1Part 6" Single Face Body	Top, Bottom & One Side
2	1926	2P 6" Single Face Body	One Side
3	5210	Corner Key	
4	5981	1Part 2Part 6" Single Face Body Corner Angle	
27	5218	Corner Angle Screw	Dill 5/32" Pilot Hole



NOTE: PRE-CUT KITS ARE NOT PRE-DRILLED.
 (Holes shown in this drawing are for reference only.
 Drilling of pilot holes are to be done by fabricator.)

THIS DRAWING WAS CREATED AT NO CHARGE TO ASSIST YOU IN VISUALIZING OUR PROPOSAL. THE DRAWING HEREIN IS THE PROPERTY OF SIGNCOMP. PERMISSION TO COPY OR REVISE THIS DRAWING OR TO USE THIS DRAWING FOR PRODUCTION IS STRICTLY PROHIBITED AND CAN ONLY BE COPIED, REVISED OR USED FOR PRODUCTION WITH THE EXPRESSED WRITTEN PERMISSION OF SIGNCOMP.			
DRAWN	12/17/2009	<h1>SignComp</h1>	
CHECKED			
QA			
MFG			
APPROVED			
TITLE		1Part 6" Single Face Body - 2Part 6" Single Face Body - Assembly	
SIZE	C	DWG NO	1921-26
SCALE			REV
			SHEET 1 OF 1

Ship To:
 Order Number: