

Features & Benefits

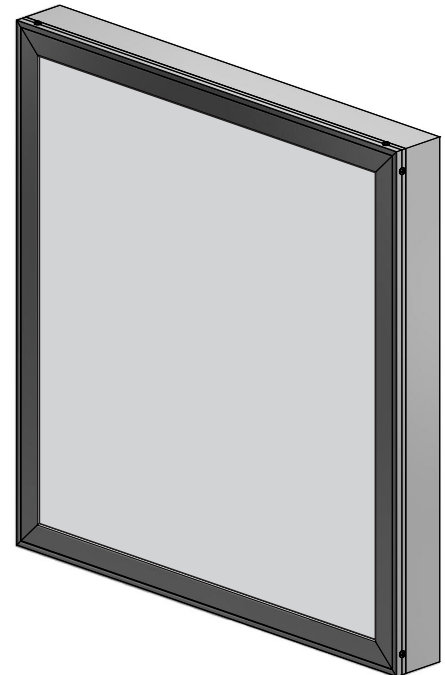
The Front Load Wall Mount Tension Frame was designed to provide ease of tensioning and zero clearance to the external wall. This frame has unlimited size potential and mounts directly to the wall. There are two (2) options for cover screw placement, outside or front side of the frame. Available in Mill Finish.

Answers to FAQ's



- Accepts up to 22 oz banner material
- Tension Clip placement - Tension Clips are placed approximately 1-1/2" from the edge of the trimmed to size face material
- Tension Clip spacing - Every 6" on center
- Face material trim size - Add 4-1/2" of fabric to overall height and width of the assembled frame
- The correct Tension Tool to use with this frame is Part #5137

Optional Items

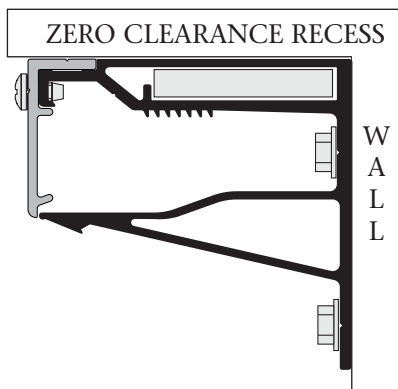
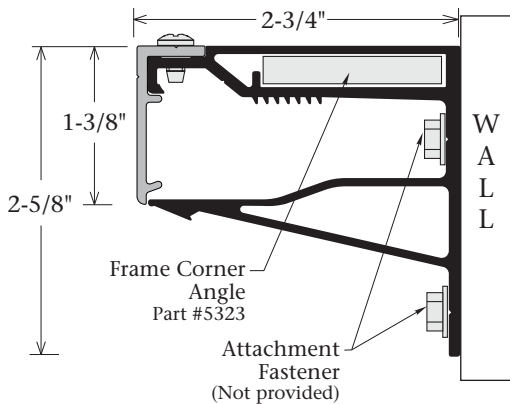
- Front Load Wall Mount Tension Frame Support, Part #2171 (Used for structural back support)
- Tension Tool, Part #5137



NEW PRODUCT UPDATE: Front Load Wall Mount Tension Frame

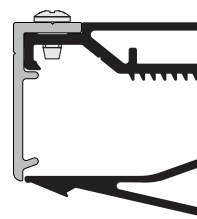
	Part Number	Part	Length	Finish
	2080	Front Load Wall Mount Tension Frame	24'-6"	Mill
	2078	Front Load Wall Mount Tension Frame Cover	24'-6"	Mill
	2171	Front Load Wall Mount Tension Frame Support	20'-0"	Mill

Mounting Options:

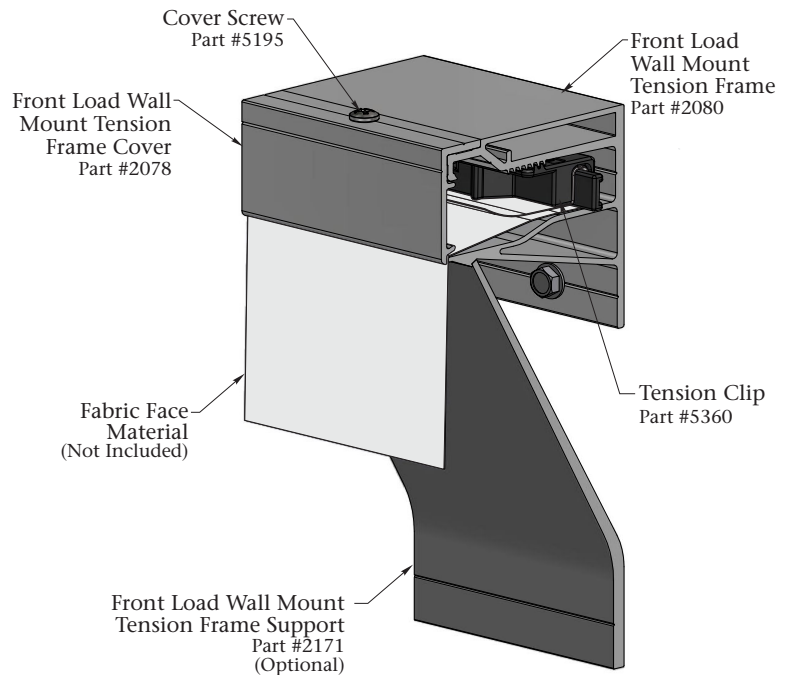
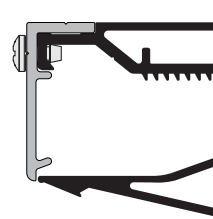


Cover Screw Attachment Options:

Outside frame



Front side frame



Features & Benefits

- Provides ease of tensioning and zero clearance to external wall
- Unlimited frame size potential
- Two (2) options for cover screw placement
 - Outside or front side of the frame
- Mounts directly to the wall

Note: The Front Load Wall Mount Tension Frame requires the Wall Mount Tension Tool, Part #5137.