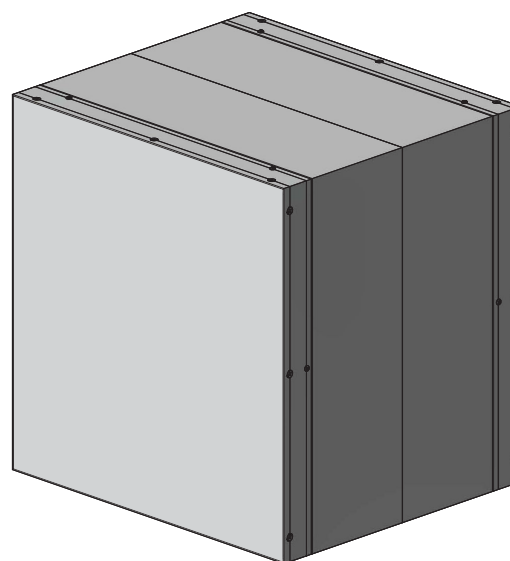


### Features & Benefits

The Flat Commercial Body delivers a flat, smooth cabinet surface. The Body has a simple structural hinge eliminating the need for a piano hinge. The Corner Key Slot provides ease of assembly and added structure. The Frameless Rigid Retainer allows for a frameless face appearance. It is available in Mill finish.



### Answers to FAQ's

- Retainer accepts up to a .313" thick pan formed face material
- Add 1" in the direction of the lamp to allow for standard T12 bulbs to fit

### Optional Items

- Socket Raceway

