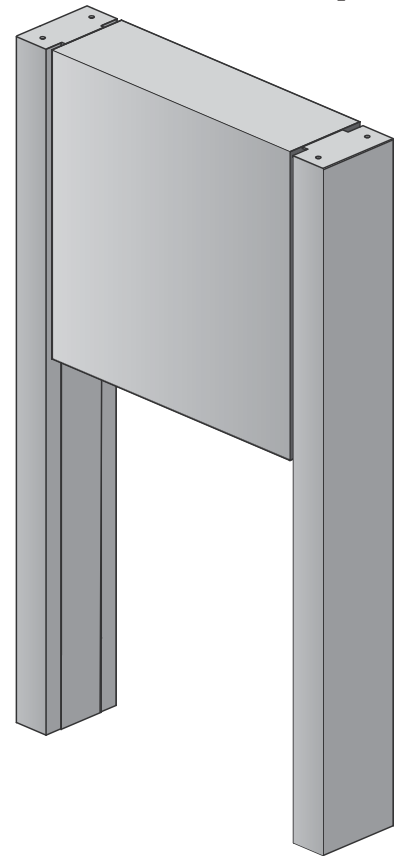


Features & Benefits

The Series 7 Frameless Body gives the post and panel a true frameless appearance. The Frameless Body has a large bonding area for aluminum faces. Corner angle slot provides ease of assembly and added structure. The body can integrate with any of the 3 post options below. This is available in a Mill Finish

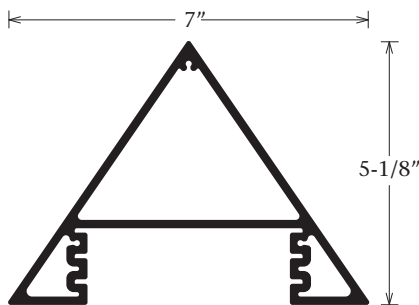
Available with or without posts



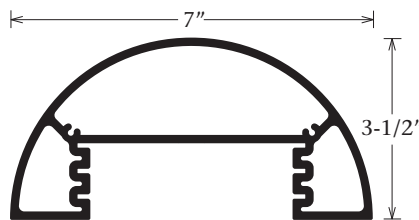
Answers to FAQ's

- Recommended panel thickness .100" - .125"
- Great "C" channel for kerf cutting custom shapes

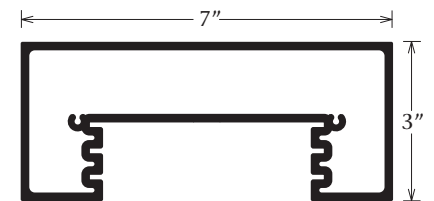
3 Post Options



Triangular Post
 Part #1530



Radius Post
 Part #1500



Rectangular Post
 Part #1510