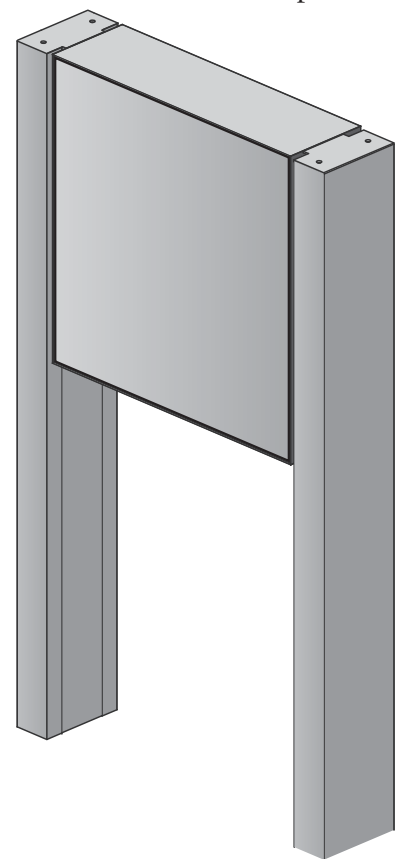


Available with or without posts



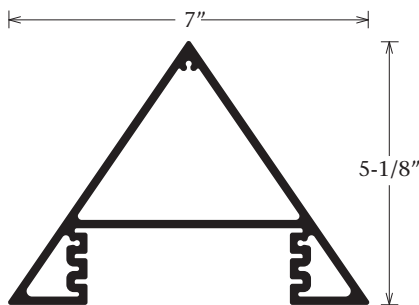
Features & Benefits

The Series 7 Bleed Body gives the post and panel a frameless appearance. The body can integrate with any of the 3 post options below. This is available in a Mill Finish.

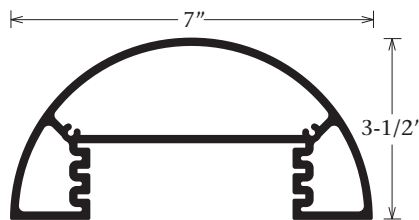
Answers to FAQ's

- Recommended panel thickness .100
- Deduct 1/4" from bodies height and width to get the panel size

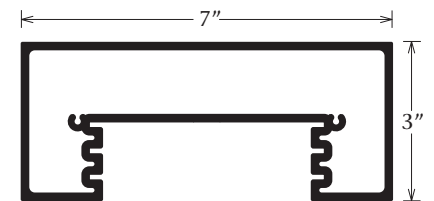
3 Post Options



Triangular Post
 Part #1530



Radius Post
 Part #1500



Rectangular Post
 Part #1510