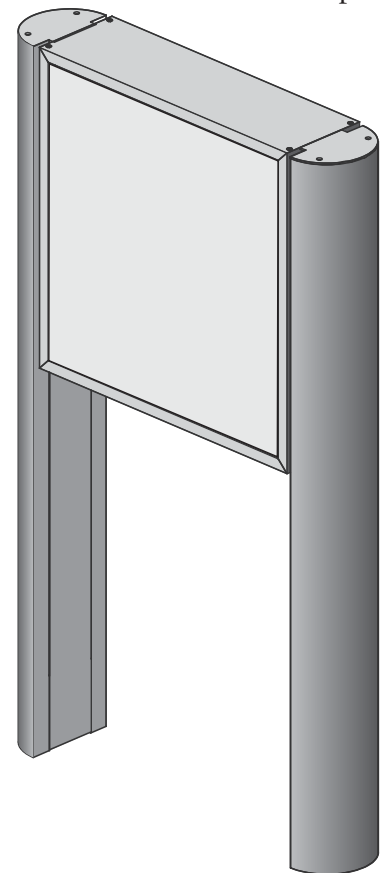


### Features & Benefits

The Series 7 Slide Body gives the post and panel a framed appearance. The top and bottom body sections are pre-drilled and countersunk to allow for the panels to be easily changed. The body can integrate with any of the 3 post options below. This is available in a Mill Finish.

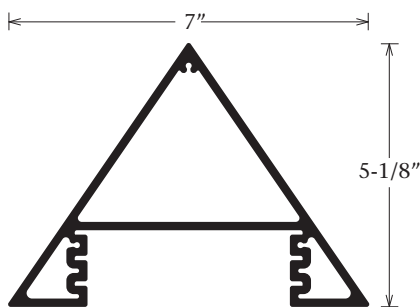
Available with or without posts



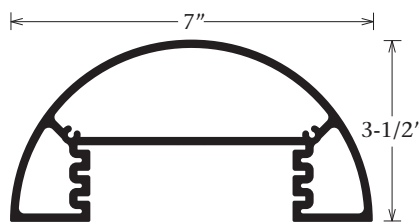
### Answers to FAQ's

- Recommended panel thickness .100
- Deduct 3/8" from the bodies height and width to get the panel size

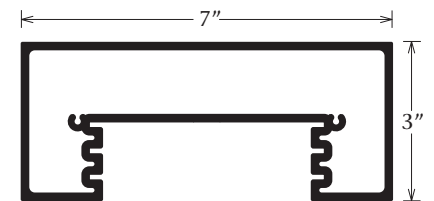
### 3 Post Options



Triangular Post  
 Part #1530



Radius Post  
 Part #1500



Rectangular Post  
 Part #1510