

Available with or without posts

## Features & Benefits

The Series 4 Single Face Access Body has removable covers on all sides allowing for the panels to be removed. The Body was engineered for mechanical fastening, bonding with adhesive, or welded assembly. When using the post, simply slide the body out of the posts to remove the covers. The frame can integrate with any of the 13 post options below. Available in Mill Finish.

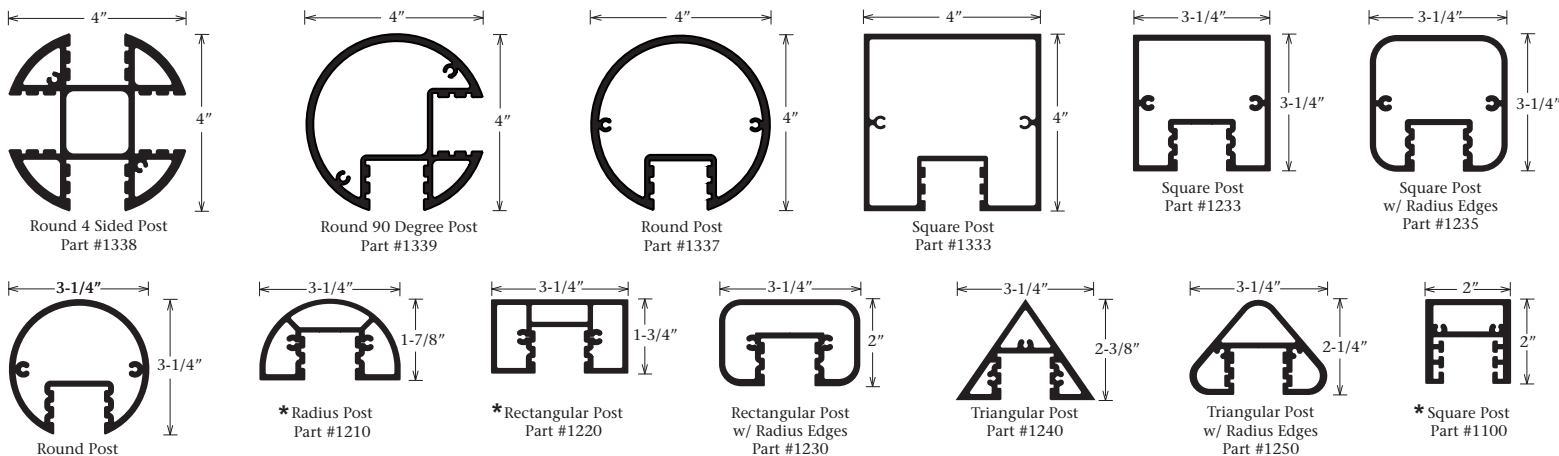
## Answers to FAQ's

- Recommended panel thickness up to .120"
- Deduct 1/4" from bodies height and width to get the panel size
- Maximum internal support - 1.75"

## Optional Item

- Posts
- 1-1/4" Divider, Part #1662

## 13 Post Options

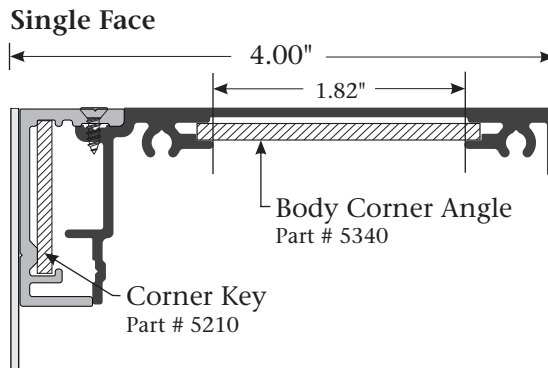
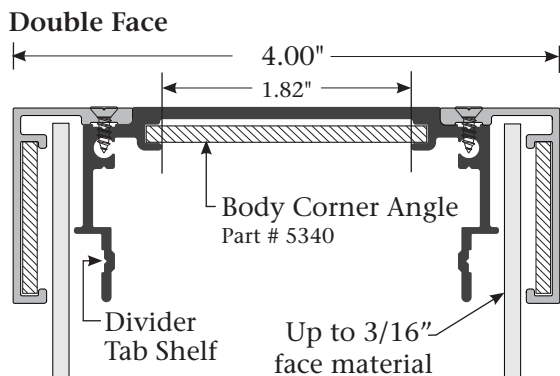


\* Post options available in a Bronze Finish



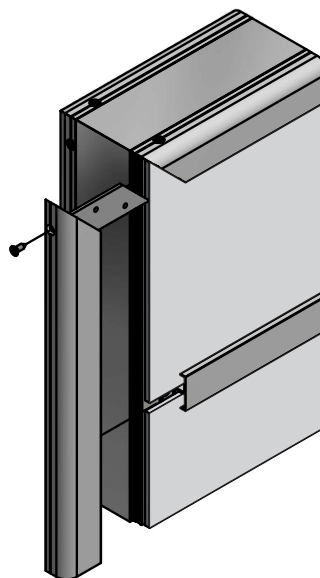
# NEW PRODUCT UPDATE: Series 4 Access Bodies

Part Number	Part	Length	Finish
1390	Series 4 Access Body	24'-4"	Mill Finish
1391	Series 4 Single Face Access Body	24'-4"	Mill Finish



## Features & Benefits

- Engineered for mechanical fastening, bonding with adhesive, or welded assembly
- Five Cover Options
- Can be used with all Architectural Posts
- Both bodies accept the Series 4 Access Body Corner Angle, Part #5340
- Integrates with 1-1/4" Divider, Part #1662 or Insert Divider, Part #1668



### Optional Dividers



1-1/4" Divider



Insert Panel Divider

### Cover Options:



Bleed Cover  
Part #1692



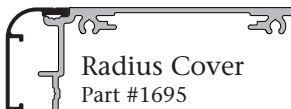
Slide Cover  
Part #1694



Insert Top/Bottom  
Cover  
Part #1292



Frameless Cover  
Part #1693



Radius Cover  
Part #1695