

Features & Benefits

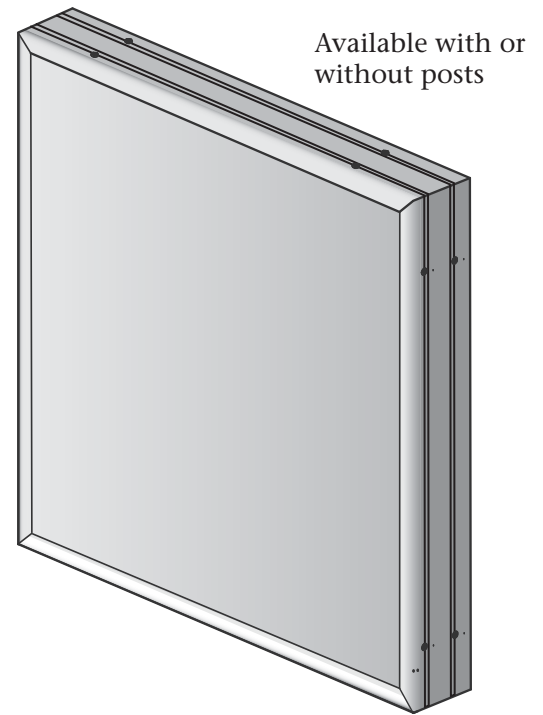
The Series 4 Access Body has removable covers on all sides allowing for the panels to be removed. The Body was engineered for mechanical fastening, bonding with adhesive, or welded assembly. When using the post, simply slide the body out of the posts to remove the covers. The frame can integrate with any of the 13 post options below. Available in Mill Finish.

Answers to FAQ's

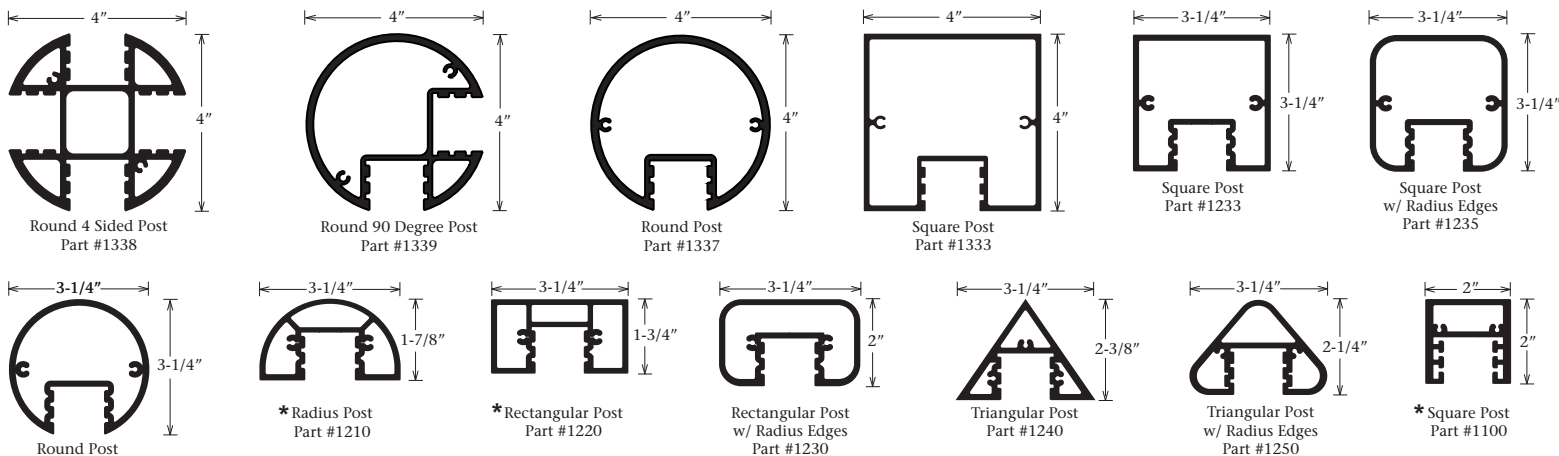
- Recommended panel thickness up to 3/16"
- Deduct 5/8" from bodies height and width to get the panel size
- Maximum internal support - 1"

Optional Item

- Post
- 1-1/4" Divider, Part #1662



13 Post Options



* Post options available in a Bronze Finish