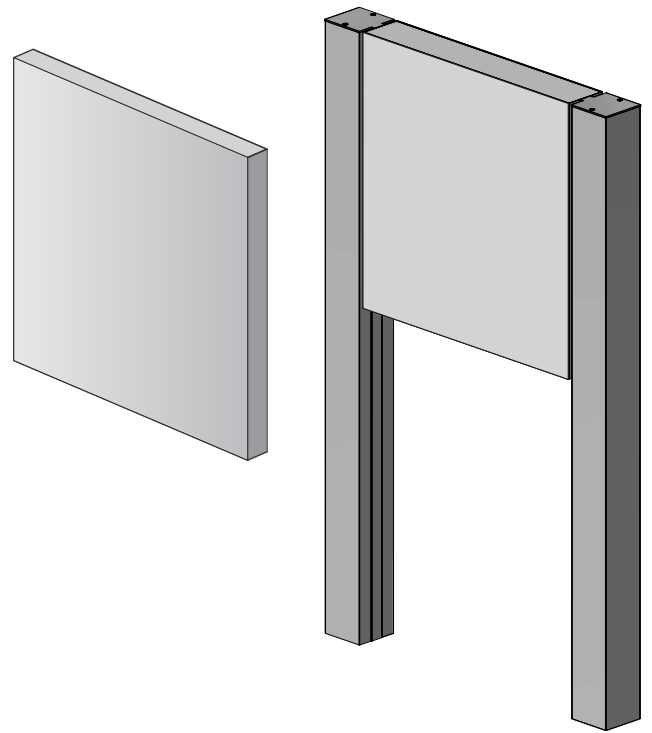


Available with or without posts

Features & Benefits

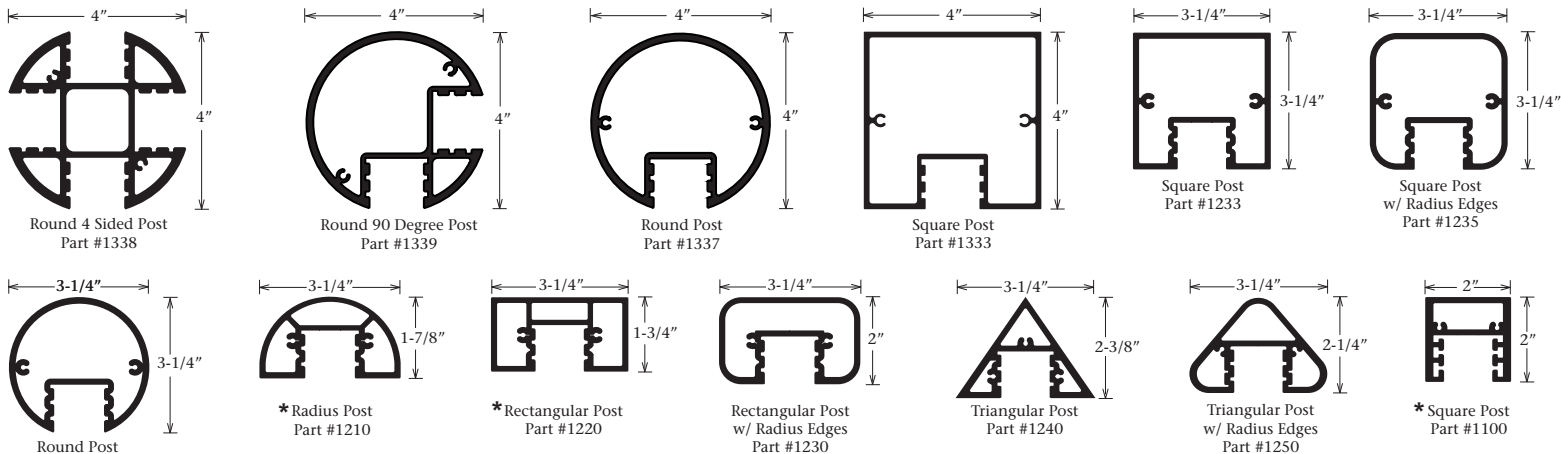
The Series 4 Frameless Body gives the post and panel a true frameless appearance. It is a great body for kerf cutting custom shapes. The body can integrate with any of the 13 post options below. Available in Mill Finish.



Answers to FAQ's

- Recommended panel thickness .100" - .125"
- Panel size is the same as the height and width

13 Post Options



* Post options available in a Bronze Finish