

Features & Benefits

The Series 3, 1/4 Round Body gives the post and panel a radius appearance. The body can integrate with any of the 13 post options below. Available in Mill Finish.

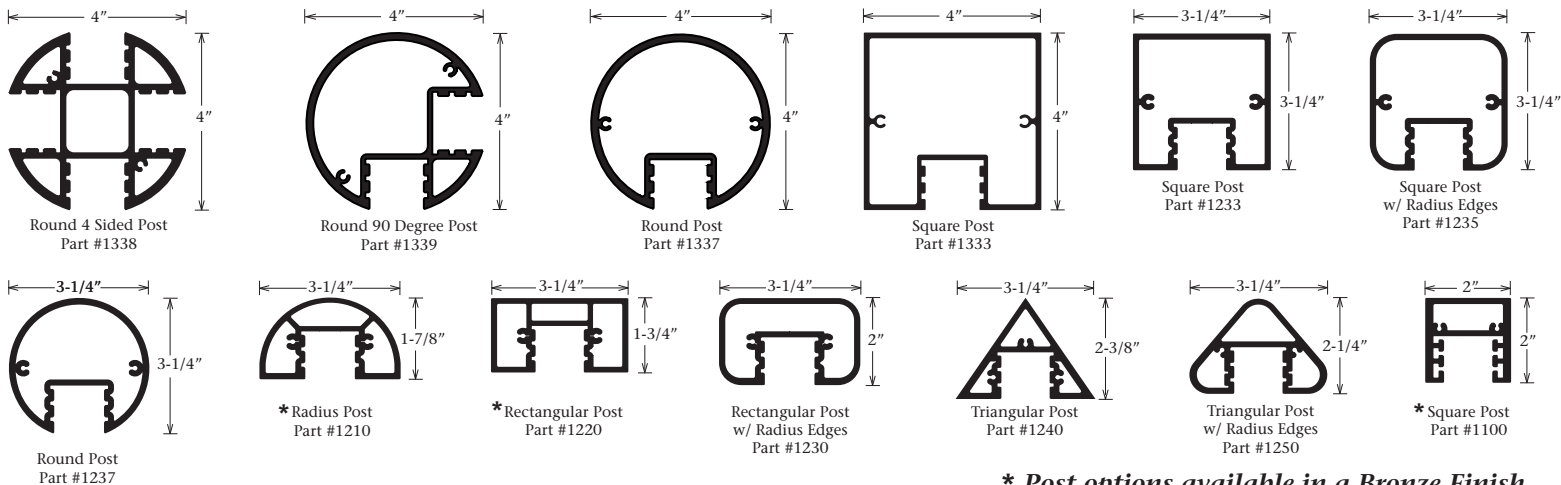
Answers to FAQ's

- Recommended panel thickness .100
- Face material trim size - Deduct 1" from the height and width



Available with or without posts

13 Post Options



* Post options available in a Bronze Finish