

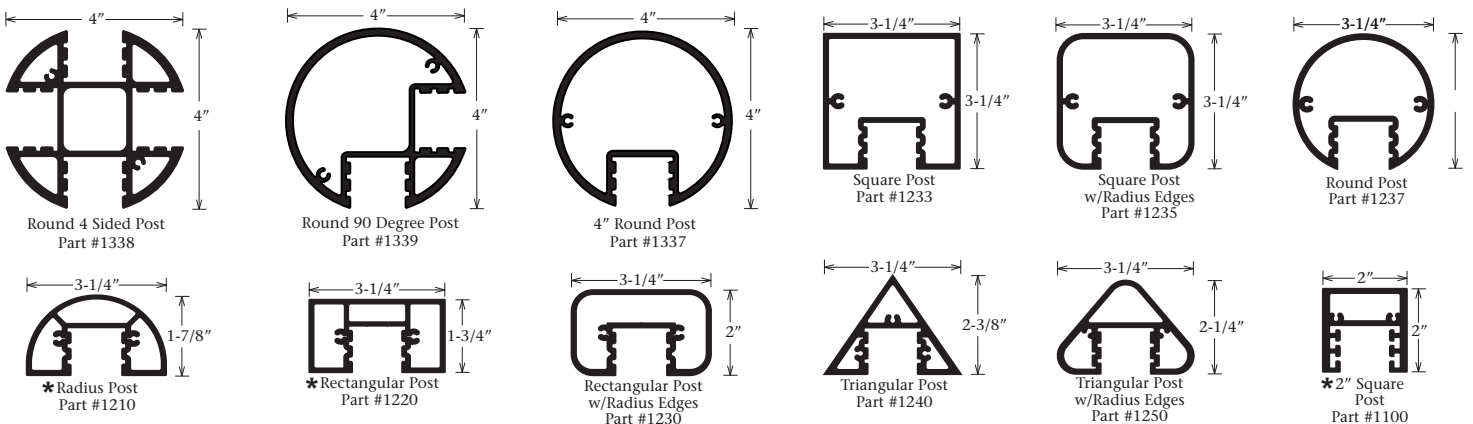
Features & Benefits

The Series 2/3/4 - 1/4" Panel Adaptor offers an affordable interchangeable solution for post and panel applications. The Adaptors attach to the vertical sides of the panel, the panel and Adaptors then slide into the post. The Adaptor can be used with any rigid PVC sheet stock, hardwood core, corrugated plastic core, or solid core laminate sheet stock. The Adaptor can integrate with any of the 12 post options below. Available in Mill Finish and Dark Quaker Bronze.

Answers to FAQ's

- Designed for 1/4" thick faces
- Panel trim is not available

12 Post Options



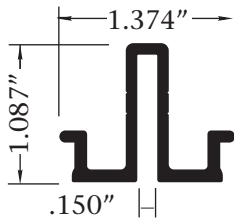
* Post options available in a Bronze Finish



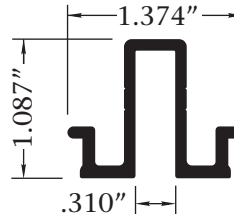
PRODUCT INFORMATION SHEET:

Series 2/3/4 Panel Adaptors

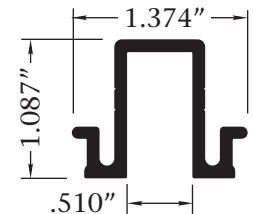
Part	Part Number	Length		
Series 2/3 1/4" Panel Adaptor	1202	16'-2"	Mill	Pre-painted
Series 2/3 1/2" Panel Adaptor	1204	16'-2"	Mill	Pre-painted
Series 2/3 1/8" Panel Adaptor	1203	16'-2"	Mill	Pre-painted



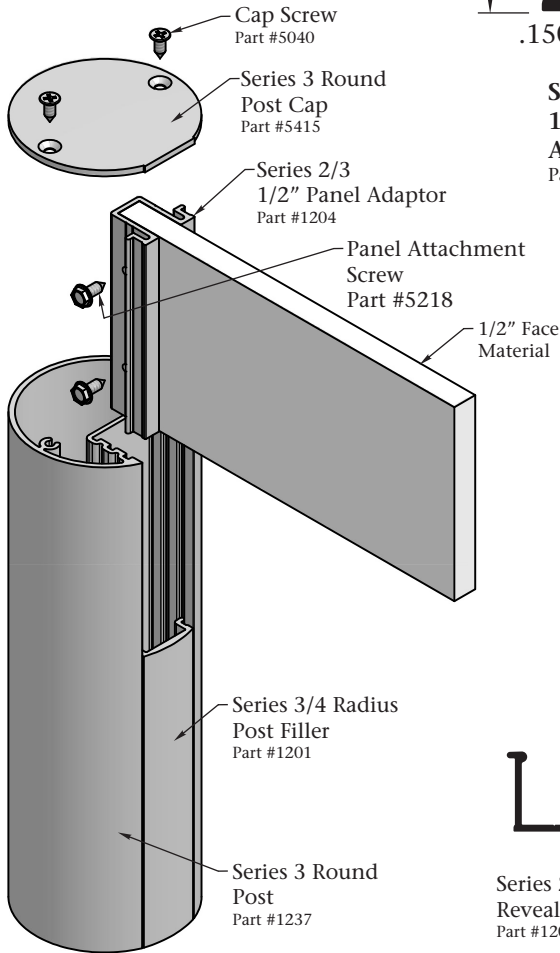
**Series 2/3/4
1/8" Panel
Adaptor**
Part #1203



**Series 2/3/4
1/4" Panel
Adaptor**
Part #1202



**Series 2/3/4
1/2" Panel
Adaptor**
Part #1204



Features & Benefits

- Panel Adaptors slide into any Series 2, Series 3 or Series 4 Posts.
- Adaptors can be used with any rigid PVC sheet stock, hardwood core, corrugated plastic core, or solid core laminate sheet stock.
- No visible panel attachment fasteners.
- Quick and easy to assemble.

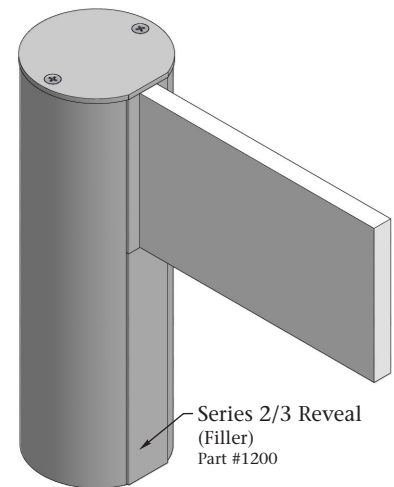


**Series 2/3/4
Reveal**
Part #1200



**Series 3/4 Radius
Post Filler**
Part #1201

(Below the Panel Filler and Spacers)



NOTE: Face material not included.