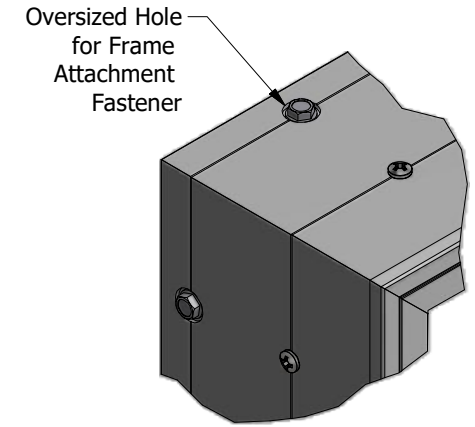
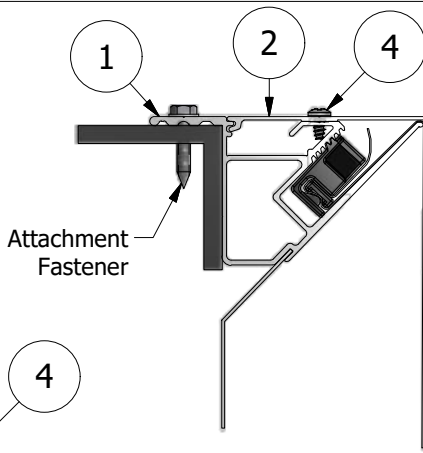
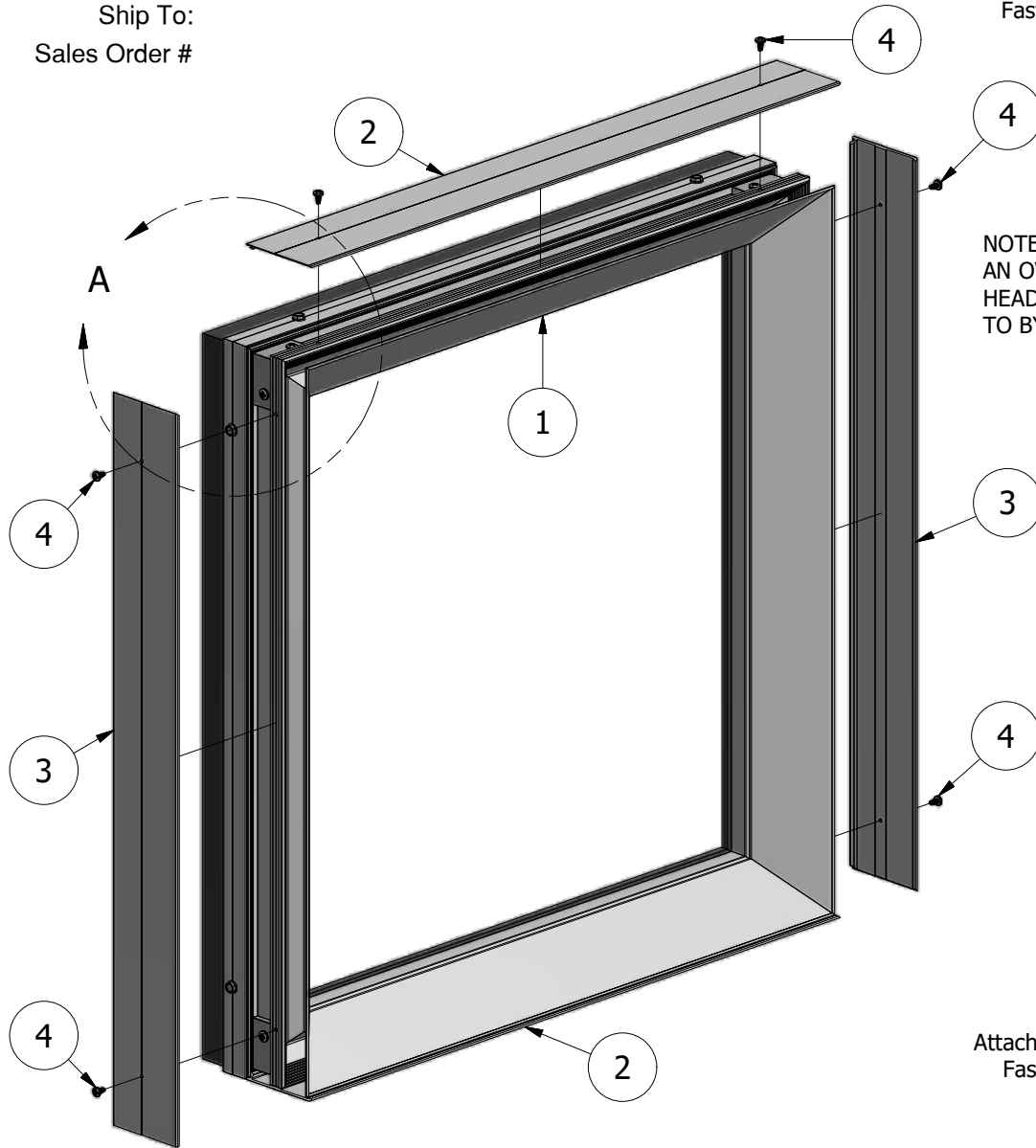


# PARTS LIST

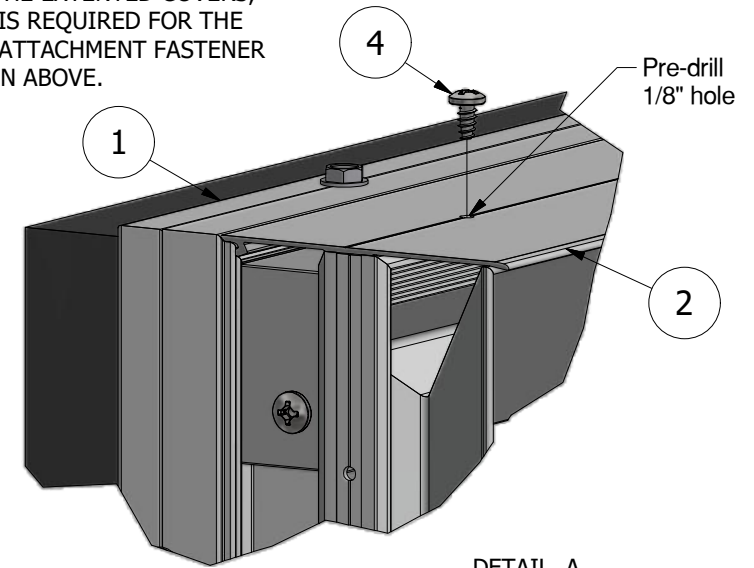
ITEM	PART #	DESCRIPTION	NOTES
1	2103	Flat Bleed Retro Frame w/ Reflector Slot	Assembly
2	2121	Flat Bleed Retro Frame Cover	Top & Bottom
3	2121	Flat Bleed Retro Frame Cover	Sides
4	5195	Cover Screw	Pre-drill an 1/8" hole, 24" o/c

Ship To:  
Sales Order #



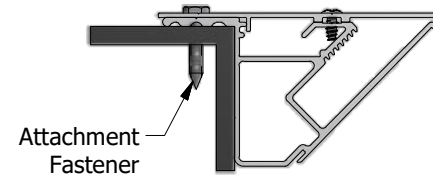
Oversized Hole Detail

NOTE: WHEN USING THE EXTENDED COVERS, AN OVERSIZED HOLE IS REQUIRED FOR THE HEAD OF THE FRAME ATTACHMENT FASTENER TO BYPASS, AS SHOWN ABOVE.

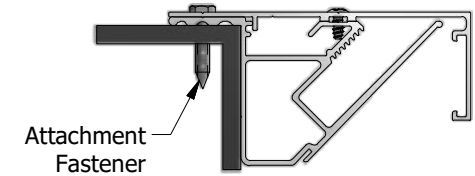


DETAIL A

## COVER OPTIONS



Part #2123



Part #2125

<b>Project Name:</b> Flat Bleed Retro Frame w/ Reflector Slot - Cover Options	<b>Sign Company:</b> K2103/21 - Cover Options	<b>Date:</b> 10/5/2020	<b>Revision:</b>	<b>Sheet:</b> 1 of 1	<b>Size:</b> A	<b>Drawing By:</b> SBreihof	
--	--	---------------------------	------------------	-------------------------	-------------------	--------------------------------	--

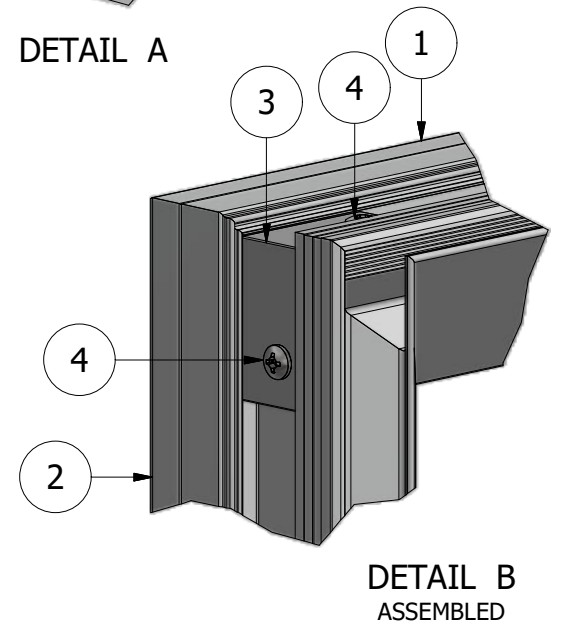
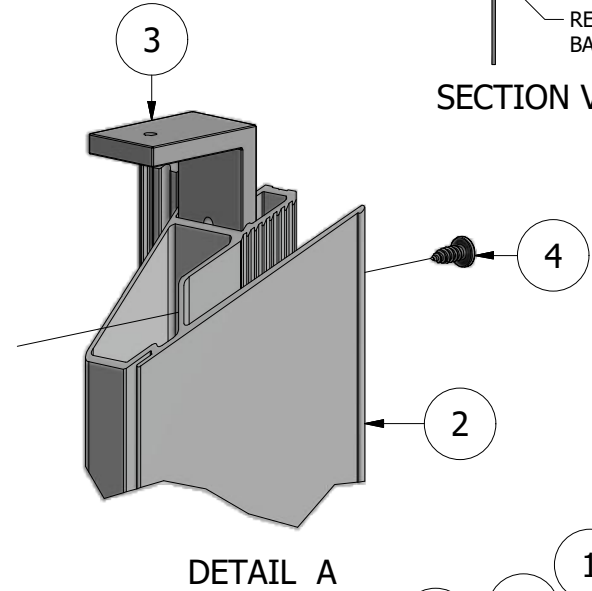
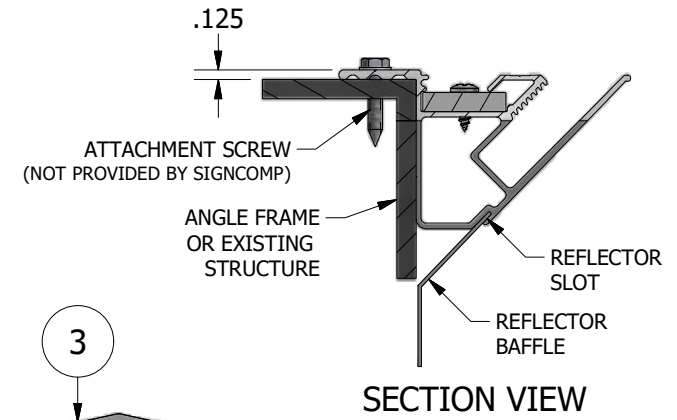
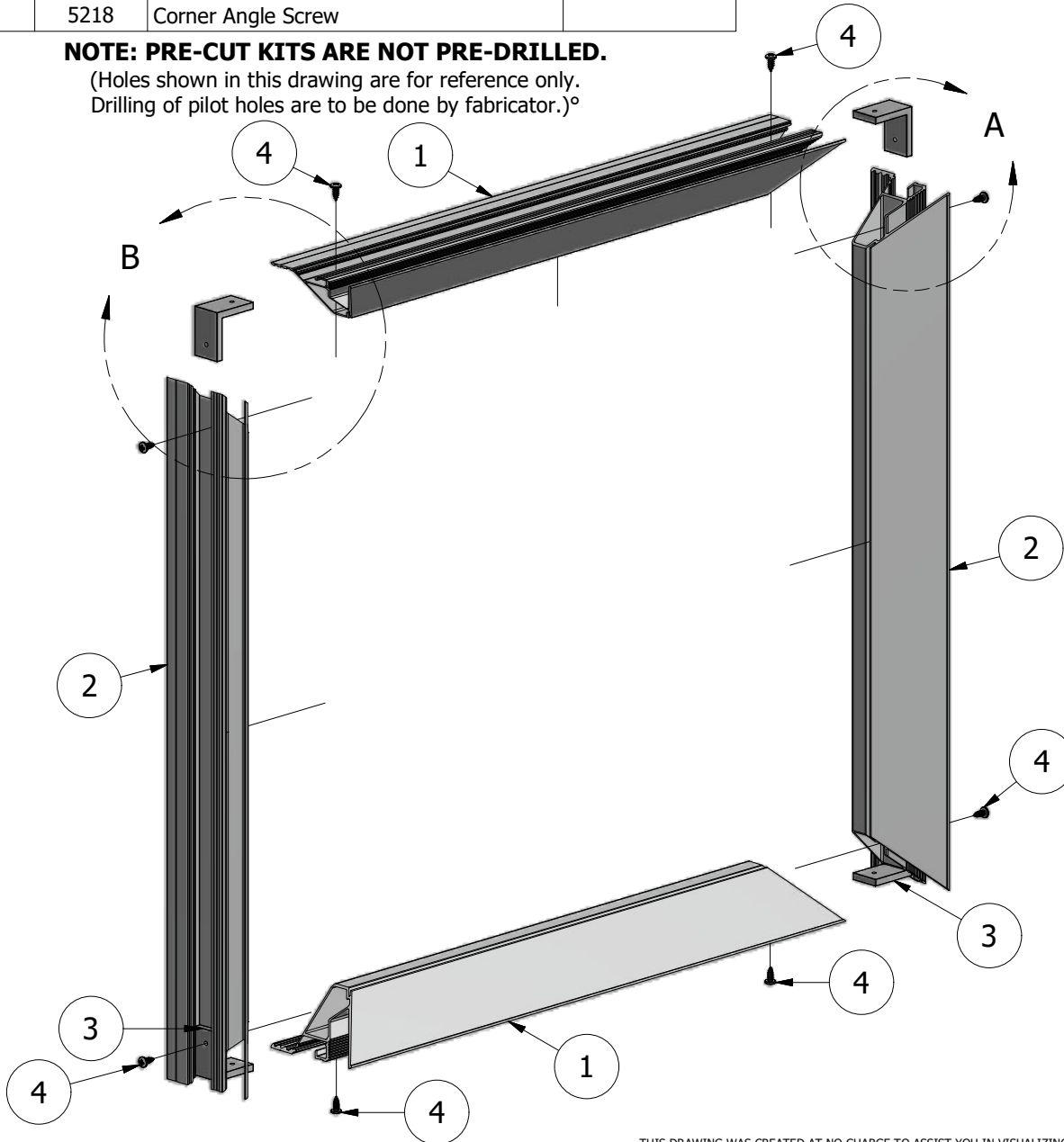
# PARTS LIST

ITEM	PART #	DESCRIPTION	NOTES
1	2103	Flat Bleed Retro Frame w/Reflector Slot	Top & Bottom
2	2103	Flat Bleed Retro Frame w/Reflector Slot	Sides
3	5305	Frame Corner Angle	
4	5218	Corner Angle Screw	

Ship To:  
Sales Order #

**NOTE: PRE-CUT KITS ARE NOT PRE-DRILLED.**

(Holes shown in this drawing are for reference only. Drilling of pilot holes are to be done by fabricator.)°



THIS DRAWING WAS CREATED AT NO CHARGE TO ASSIST YOU IN VISUALIZING OUR PROPOSAL. THE DRAWING HEREIN IS THE PROPERTY OF SIGNCOMP. PERMISSION TO COPY OR REVISE THIS DRAWING OR TO USE THIS DRAWING FOR PRODUCTION IS STRICTLY PROHIBITED AND CAN ONLY BE COPIED, REVISED OR USED FOR PRODUCTION WITH THE EXPRESSED WRITTEN PERMISSION OF SIGNCOMP.

Z:\SignComp Library\Kit Assemblies\Drawings\Commercial\Frames\K2103.idw

<b>Project Name:</b> Flat Bleed Retro Frame with Reflector Slot	<b>Sign Company:</b> K2103	<b>Date:</b> 10/2/2020	<b>Revision:</b>	<b>Sheet:</b> 1 of 1	<b>Size:</b> A	<b>Drawing By:</b> SBreihof	
--	-------------------------------	---------------------------	------------------	-------------------------	-------------------	--------------------------------	--