

2



1

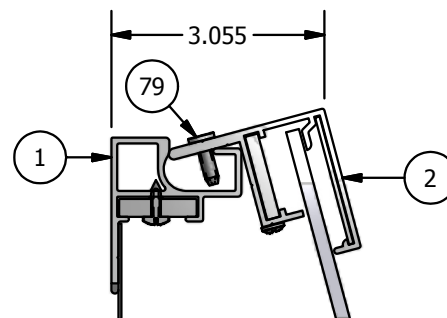
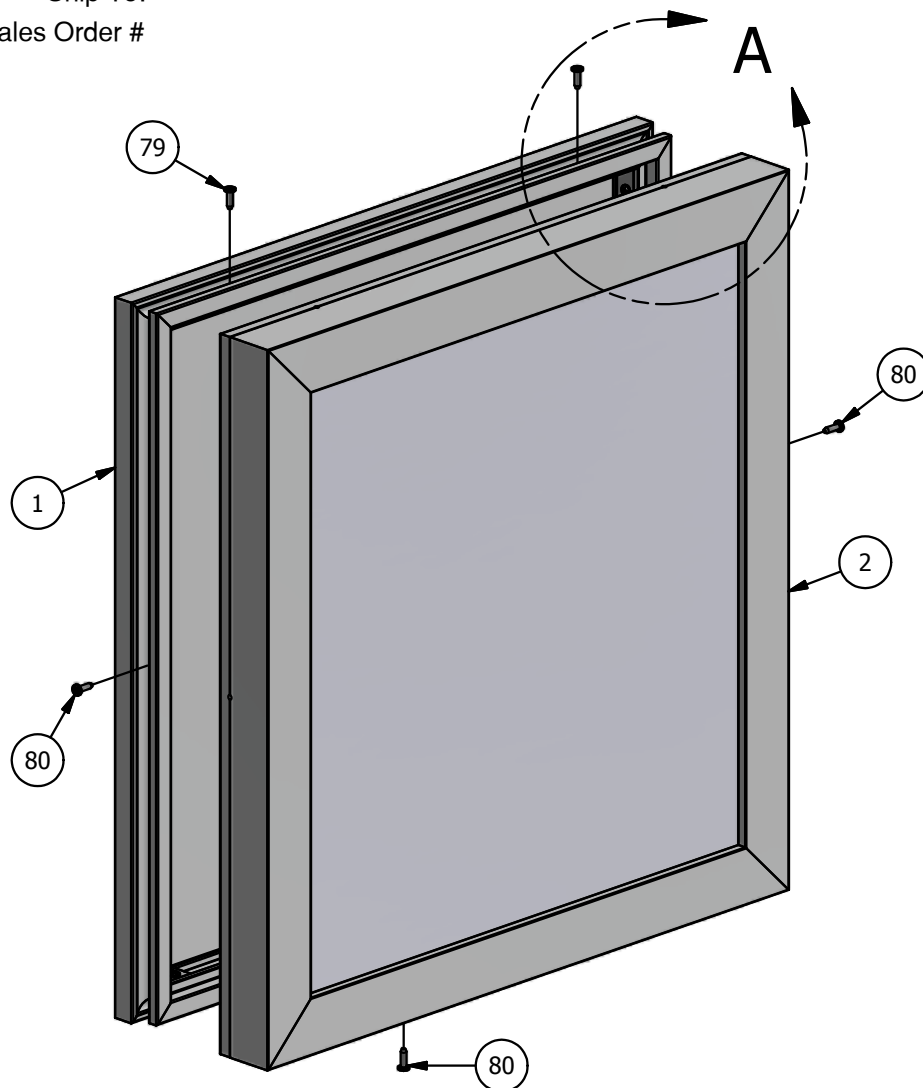
PARTS LIST

ITEM	PART #	DESCRIPTION	NOTES
1	2042	Flat Wall Mount Retro Body	Assembly
2	2047	Flat 2" Retainer	Assembly
79	5178	Hinge Screw - #10 x 5/8" pancake head	Pre-drill 5/32" pilot hole every 36" - Top only
80	5178	Closure Screw - #10 x 5/8" pancake head	Pre-drill 5/32" pilot hole every 48" - Sides & Bottom

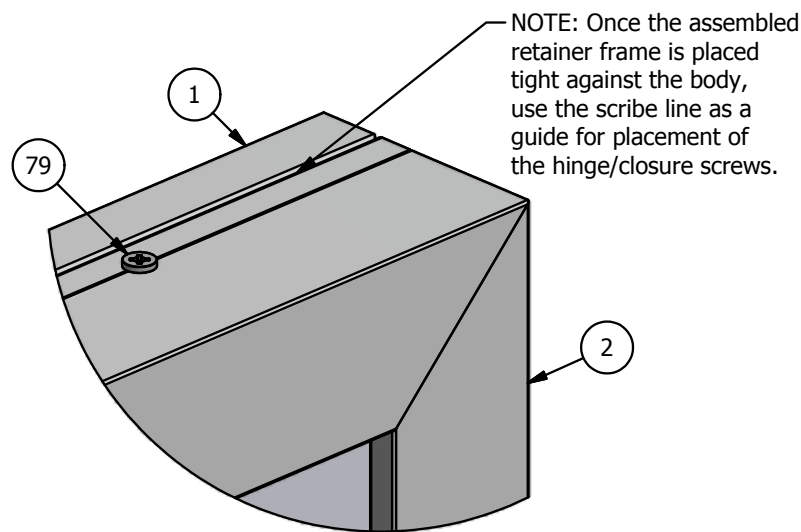
NOTE: PRE-CUT KITS ARE NOT PRE-DRILLED.

(Holes shown in this drawing are for reference only.
Drilling of pilot holes are to be done by fabricator.)

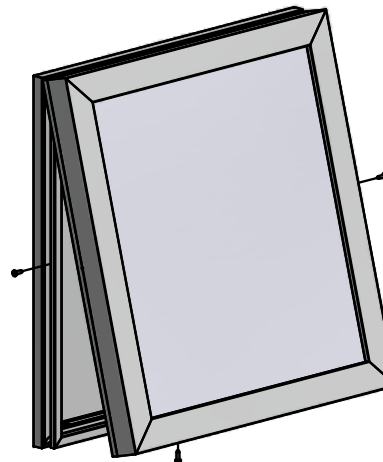
Ship To:
Sales Order #



TOP CROSS-SECTION VIEW



DETAIL A



THIS DRAWING WAS CREATED AT NO CHARGE TO ASSIST YOU IN VISUALIZING OUR PROPOSAL. THE DRAWING HEREIN IS THE PROPERTY OF SIGNCOMP. PERMISSION TO COPY OR REVISE THIS DRAWING OR TO USE THIS DRAWING FOR PRODUCTION IS STRICTLY PROHIBITED AND CAN ONLY BE COPIED, REVISED OR USED FOR PRODUCTION WITH THE EXPRESSED WRITTEN PERMISSION OF SIGNCOMP.

Part Name: Flat Wall Mount Retro Body & Flat 2" Retainer - Assembly

Part Number: K2042/2047

Revision: 7/7/2015

Sheet: 1 of 1

Size: A

Drawing By: SBreihof

SignComp

A

B

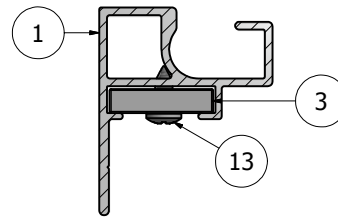
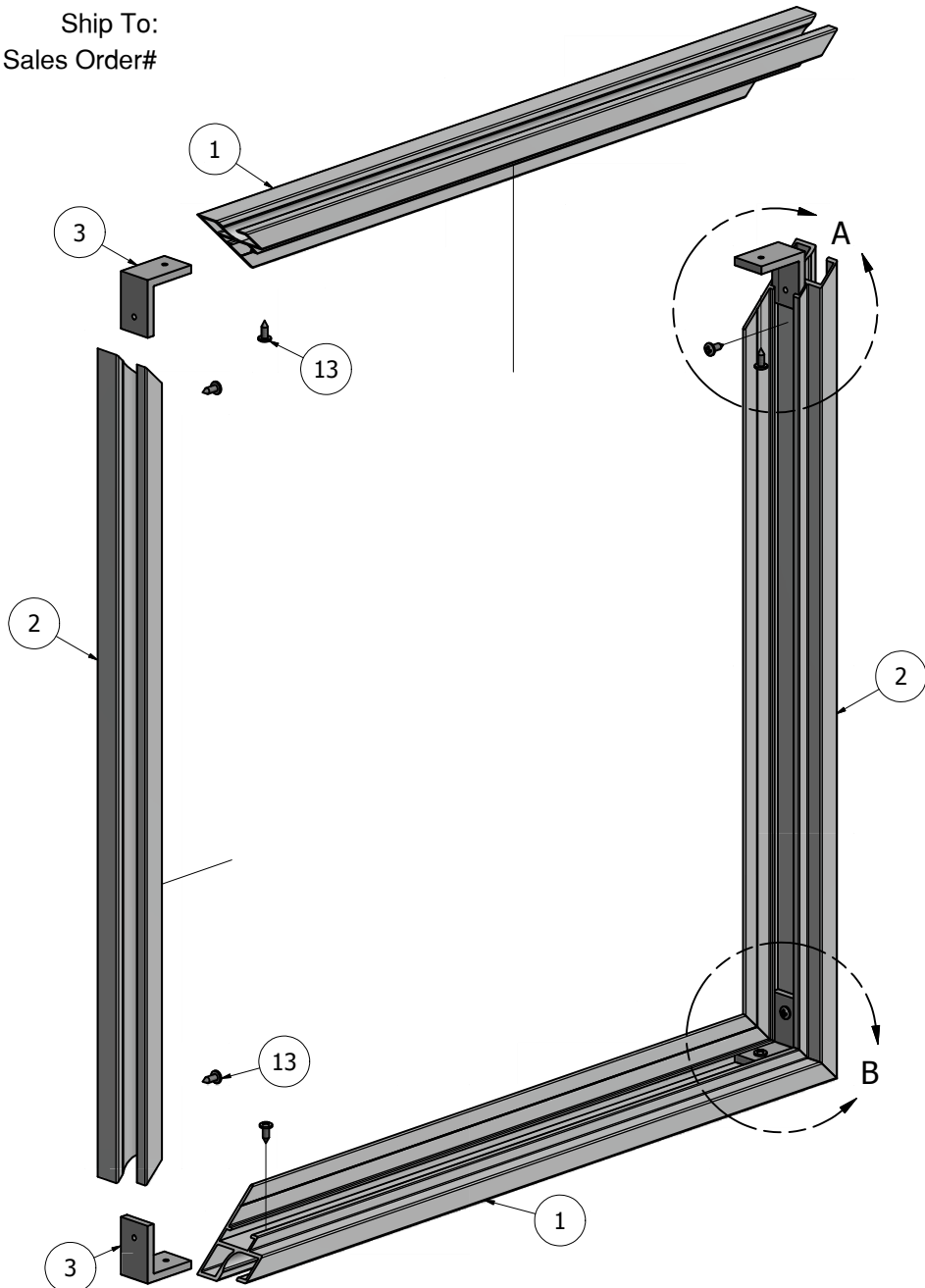
2



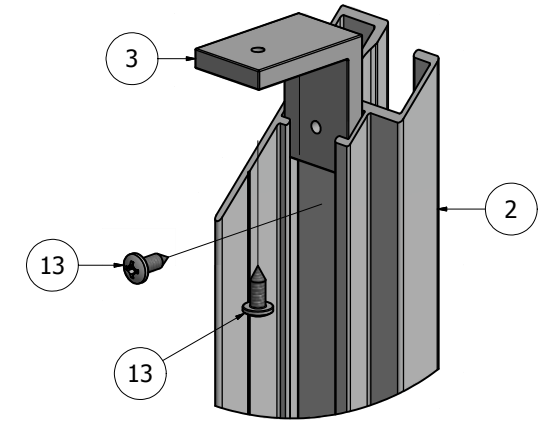
1

PARTS LIST			
ITEM	PART #	DESCRIPTION	NOTES
1	2042	Flat Wall Mount Retro Body	Top & Bottom
2	2042	Flat Wall Mount Retro Body	Sides
3	5305	Frame Corner Angle	One (1) per corner
13	5218	Corner Angle Screw	Pre-drill 5/32" pilot hole

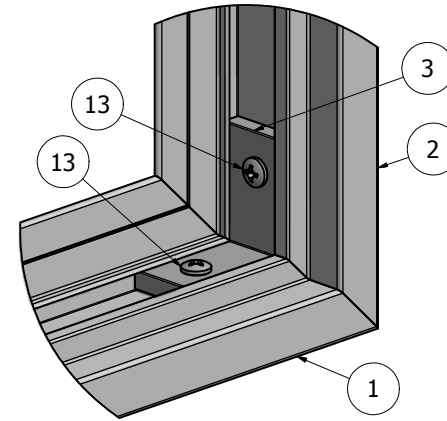
Ship To:
Sales Order#



CROSS-SECTION VIEW



DETAIL A



DETAIL B

NOTE: PRE-CUT KITS ARE NOT PRE-DRILLED.
(Holes shown in this drawing are for reference only.
Drilling of pilot holes are to be done by fabricator.)

THIS DRAWING WAS CREATED AT NO CHARGE TO ASSIST YOU IN VISUALIZING OUR PROPOSAL. THE DRAWING HEREIN IS THE PROPERTY OF SIGNCOMP. PERMISSION TO COPY OR REVISE THIS DRAWING OR TO USE THIS DRAWING FOR PRODUCTION IS STRICTLY PROHIBITED AND CAN ONLY BE COPIED, REVISED OR USED FOR PRODUCTION WITH THE EXPRESSED WRITTEN PERMISSION OF SIGNCOMP.

DRAWING BY:	SBreihof	8/15/2013
Centroid X:	0.000 in	
Centroid Y:	0.000 in	
Principal Moments Ix:	0.000 in ⁴	
Principal Moments Iy:	0.000 in ⁴	
Section Modulus Ix:	0.000 in ³	
Section Modulus Iy:	0.000 in ³	

SignComp

Flat Wall Mount Retro Body - Assembly

PART NO **K2042** REV

2

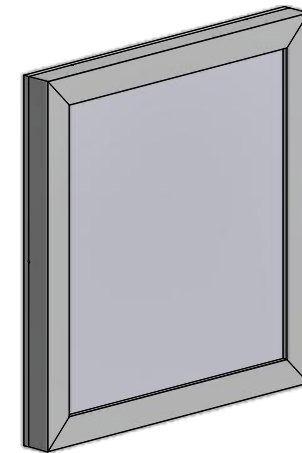
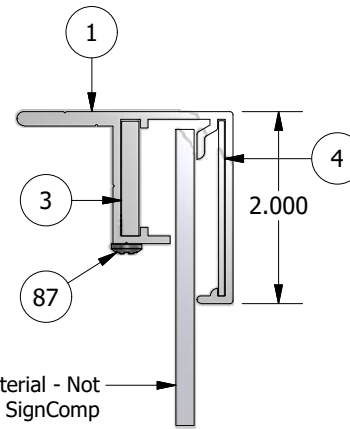
1

PARTS LIST

ITEM	PART #	DESCRIPTION	NOTES
1	2047	Flat 2" Retainer	Top & Bottom Retainers
2	2047	Flat 2" Retainer	Sides
3	5214	Flat 2" Frame Corner Bracket	
4	5214	Flat 2" Frame Corner Key	
87	5195	Flat Frame Corner Bracket Screw	#8 x 5/16" - Pre-drill 1/8" holes Four (4) per corner

NOTE: PRE-CUT KITS ARE NOT PRE-DRILLED.

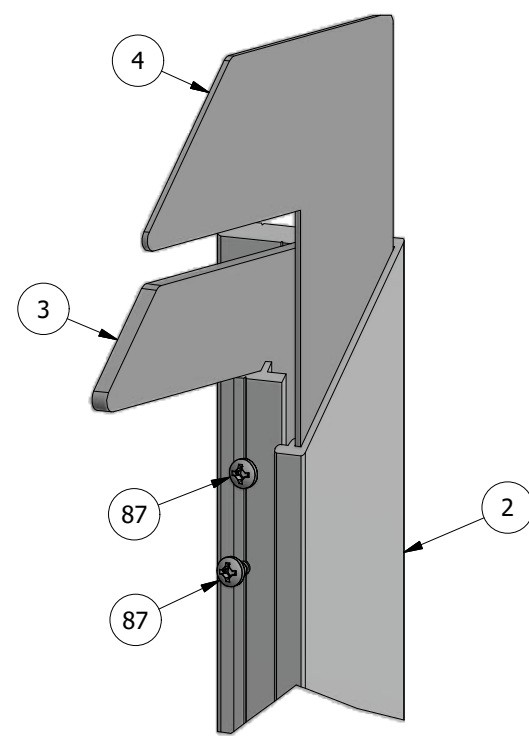
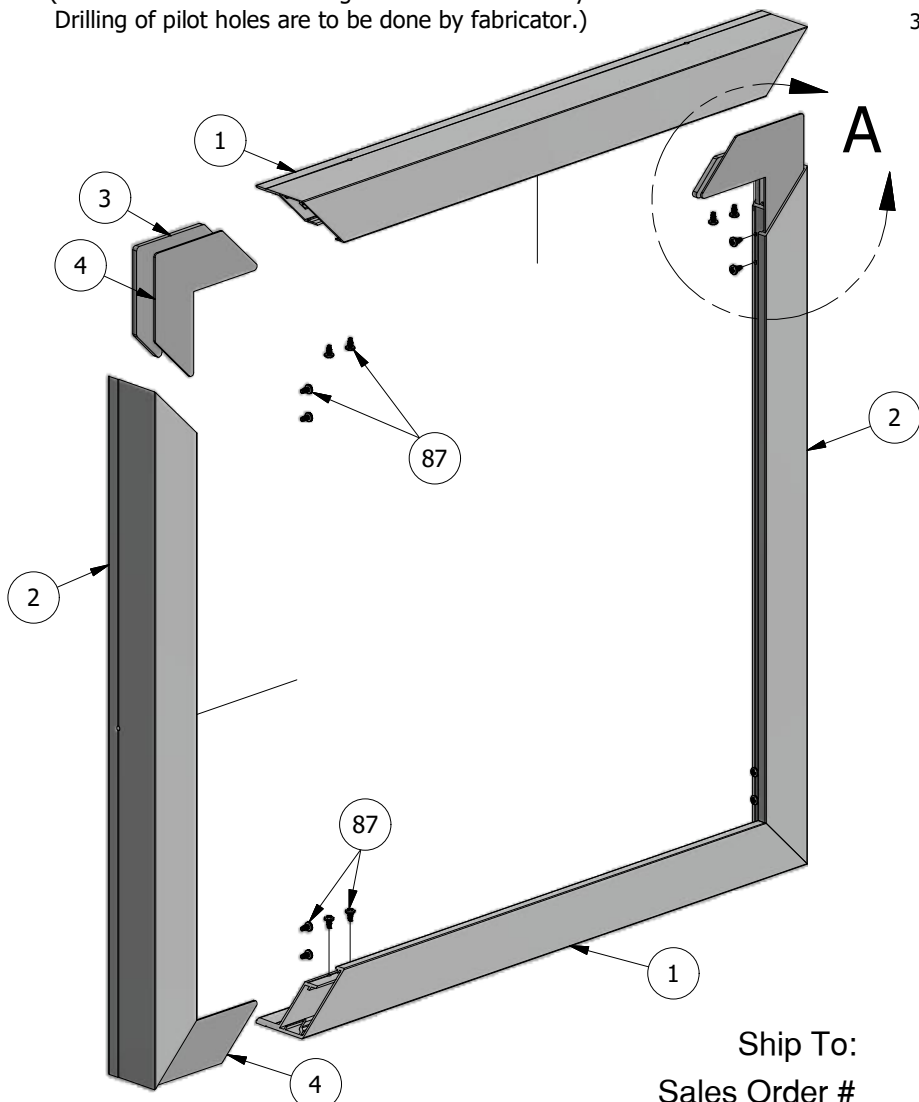
(Holes shown in this drawing are for reference only.
Drilling of pilot holes are to be done by fabricator.)



CROSS-SECTION VIEW

B

B



DETAIL A

Ship To:
Sales Order #

2

1

THIS DRAWING WAS CREATED AT NO CHARGE TO ASSIST YOU IN VISUALIZING OUR PROPOSAL. THE DRAWING HEREIN IS THE PROPERTY OF SIGNCOMP. PERMISSION TO COPY OR REVISE THIS DRAWING OR TO USE THIS DRAWING FOR PRODUCTION IS STRICTLY PROHIBITED AND CAN ONLY BE COPIED, REVISED OR USED FOR PRODUCTION WITH THE EXPRESSED WRITTEN PERMISSION OF SIGNCOMP.

Part Name: Flat 2" Retainer	Revision: 2047	Date: 4/27/2015	Sheet: 1 of 1	Size: A
	Part Number: 2047	Revision: 2047	Sheet: 1 of 1	Size: A
Drawing By: SBreihof				



A

A