

2



1

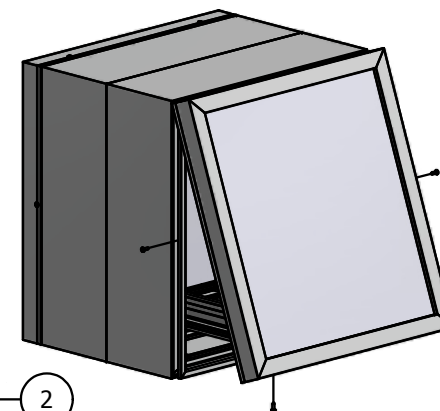
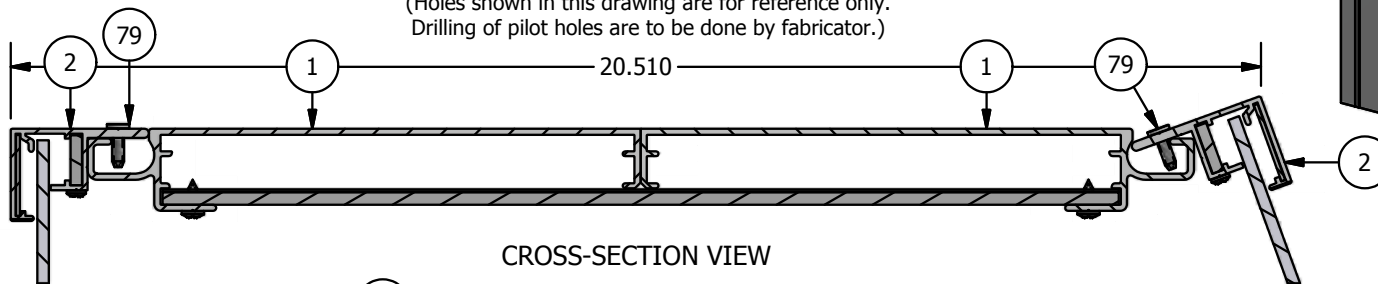
PARTS LIST

ITEM	PART#	DESCRIPTION	NOTES
1	2009	Flat 2 Piece Double Face Body	Assembly
2	2052	Flat 1-1/2" Retainer	Assembly
79	5178	Hinge Screw - #10 x 5/8" pancake head	Pre-drill 5/32" pilot hole every 36" - Top only
80	5178	Closure Screw - #10 x 5/8" pancake head	Pre-drill 5/32" pilot hole every 48" - Sides & Bottom

NOTE: PRE-CUT KITS ARE NOT PRE-DRILLED.

(Holes shown in this drawing are for reference only.
Drilling of pilot holes are to be done by fabricator.)

B



B

Size:

1 of 1

Sheet:

SBreihof

Drawing By:

Date: 5/21/2015

Revision:

K2009/2052

Part Name: Flat 2 Piece Double Face Body & Flat 1-1/2" Ret. - Assembly

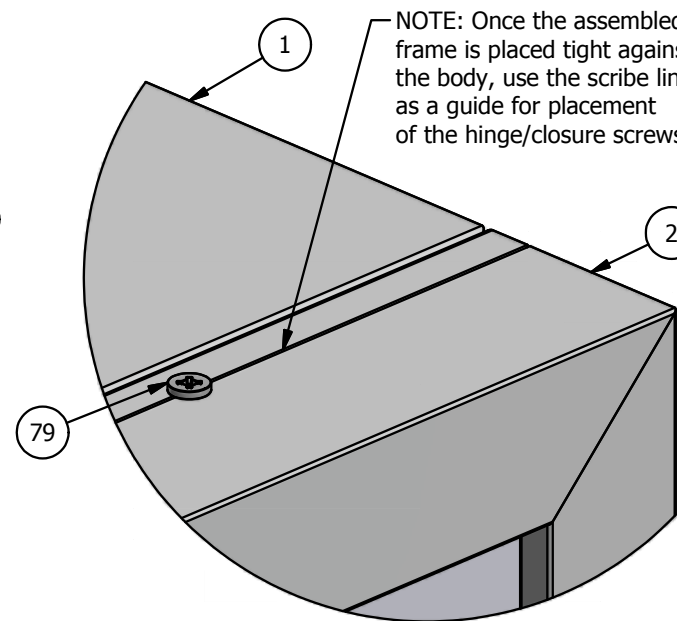
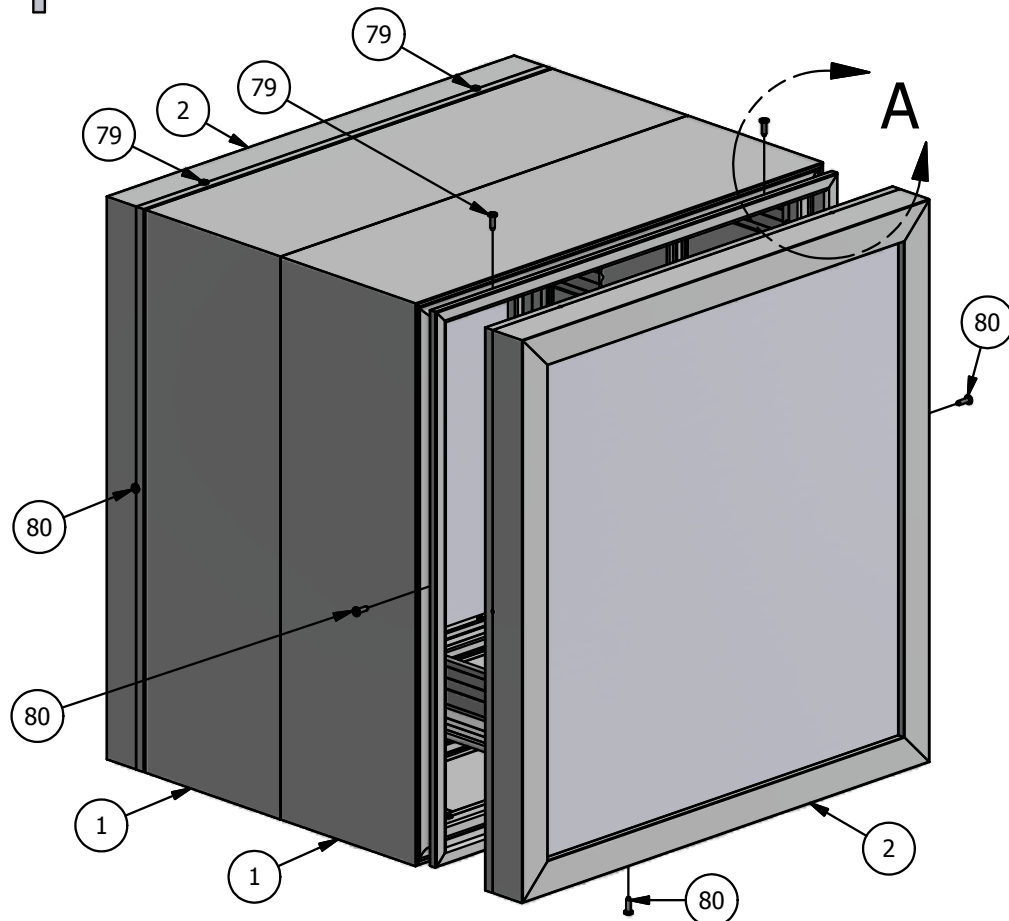
Part Number:

K2009/2052

THIS DRAWING WAS CREATED AT NO CHARGE TO ASSIST YOU IN VISUALIZING OUR PROPOSAL. THE DRAWING HEREIN IS THE PROPERTY OF SIGNCOMP. PERMISSION TO COPY OR REVISE THIS DRAWING OR TO USE THIS DRAWING FOR PRODUCTION IS STRICTLY PROHIBITED AND CAN ONLY BE COPIED, REVISED OR USED FOR PRODUCTION WITH THE EXPRESSED WRITTEN PERMISSION OF SIGNCOMP.

SignComp

A



DETAIL A

Ship To:
Sales Order #

2

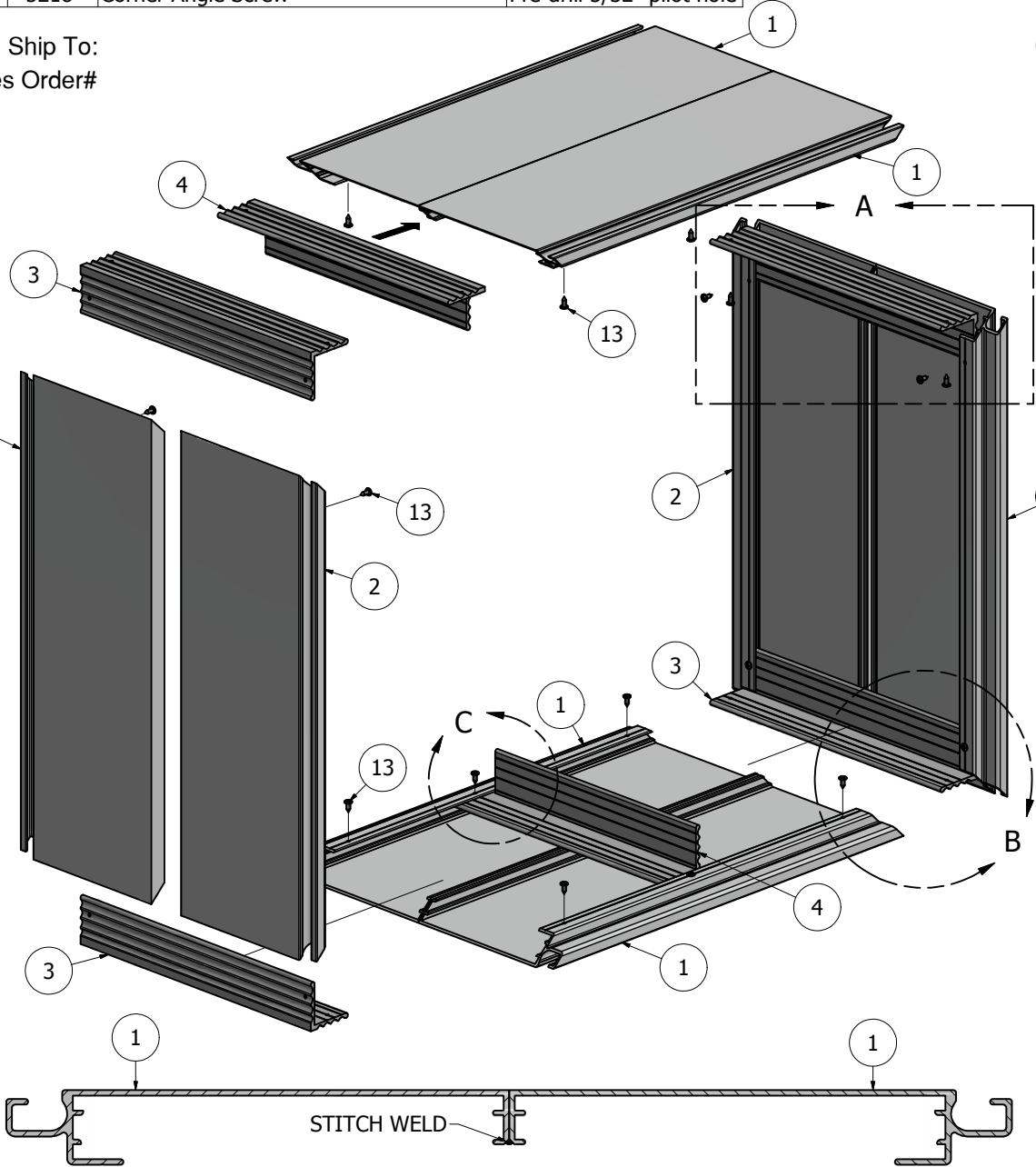


1

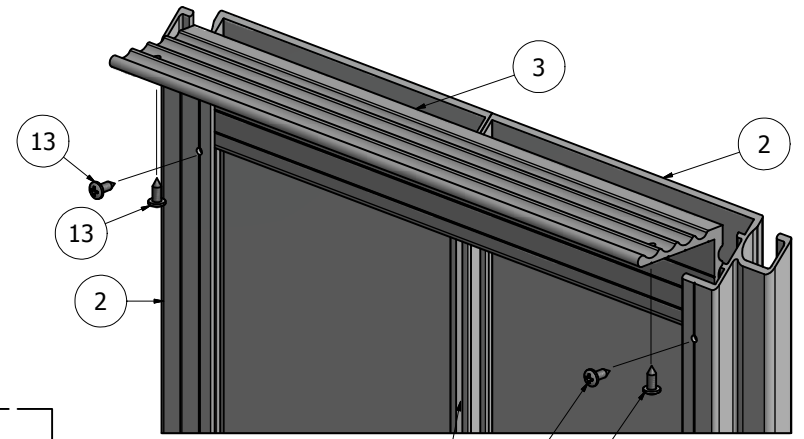
A

PARTS LIST			
ITEM	PART #	DESCRIPTION	NOTES
1	2009	Flat 2PC Double Face Body	Top & Bottom
2	2009	Flat 2PC Double Face Body	Sides
3	5909	Flat 2PC Double Face Body Corner Angle	One (1) per corner
4	5909	Flat 2PC Double Face Body Corner Angle	Notched by Other
13	5218	Corner Angle Screw	Pre-drill 5/32" pilot hole

Ship To:
Sales Order#

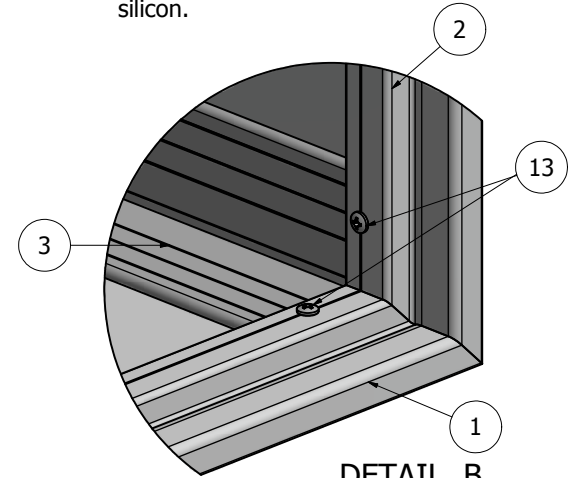


CROSS-SECTION VIEW



NOTE: Stitch weld the body joint then fill in the gaps between the welds with a bead of silicon.

DETAIL A



DETAIL B ASSEMBLED

NOTE: PRE-CUT KITS ARE NOT PRE-DRILLED.
(Holes shown in this drawing are for reference only. Drilling of pilot holes are to be done by fabricator.)

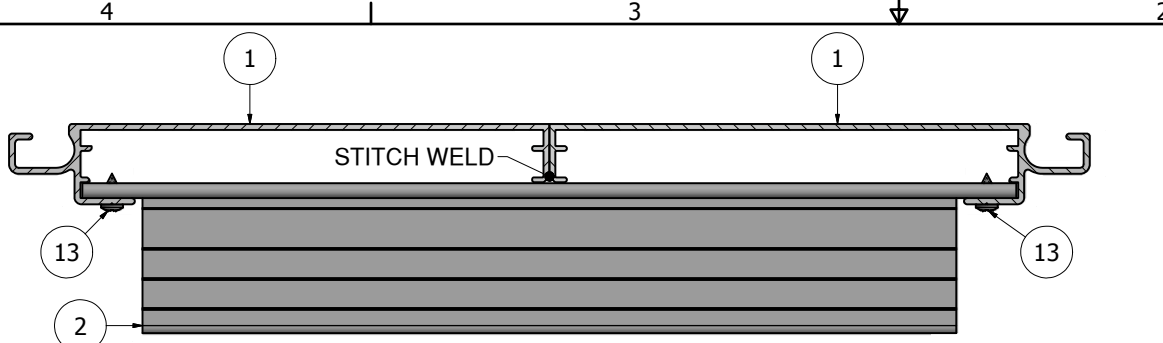
THIS DRAWING WAS CREATED AT NO CHARGE TO ASSIST YOU IN VISUALIZING OUR PROPOSAL. THE DRAWING HEREIN IS THE PROPERTY OF SIGNCOMP. PERMISSION TO COPY OR REVISE THIS DRAWING OR TO USE THIS DRAWING FOR PRODUCTION IS STRICTLY PROHIBITED AND CAN ONLY BE COPIED, REVISED OR USED FOR PRODUCTION WITH THE EXPRESSED WRITTEN PERMISSION OF SIGNCOMP.

DRAWING BY:	SBreihof	8/14/2013
Centroid X:	0.000 in	
Centroid Y:	0.000 in	
Principal Moments Ix:	0.000 in ⁴	
Principal Moments Iy:	0.000 in ⁴	
Section Modulus Ix:	0.000 in ³	
Section Modulus Iy:	0.000 in ³	

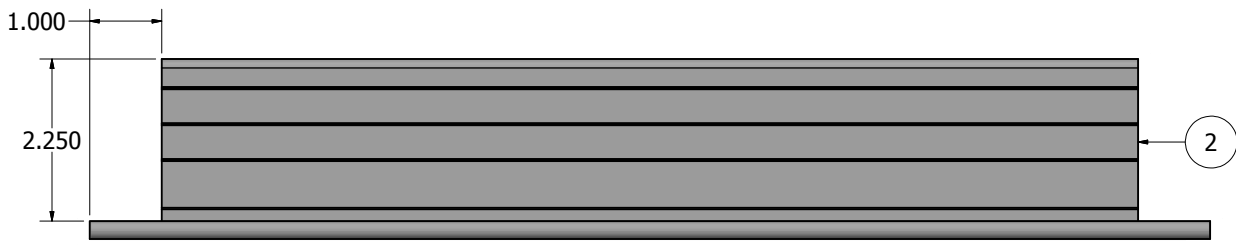
SignComp

Flat 2PC Double Face Body - Assembly

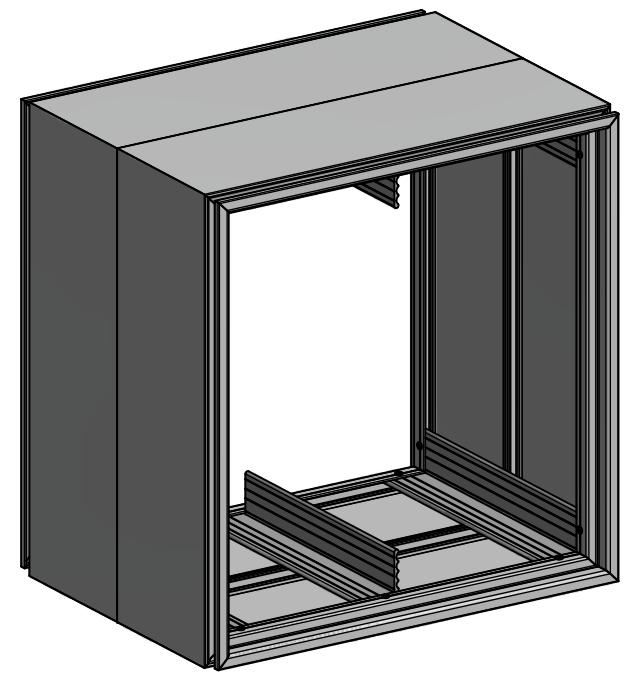
PART NO	K2009	REV
---------	--------------	-----



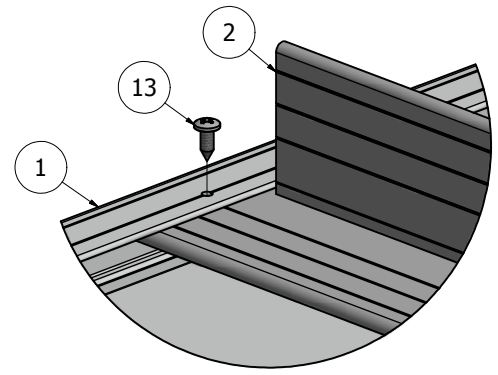
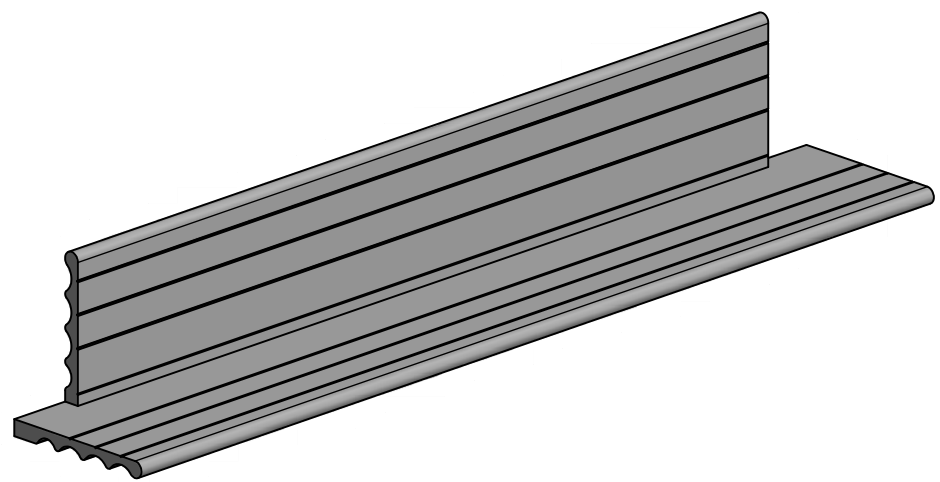
TOP & BOTTOM CROSS-SECTION VIEW
AT BODY BRACE



NOTE: NOTCH BOTH ENDS OF THE ANGLE ABOVE TO BYPASS THE INNER BODY FLANGES. THIS SERVES AS A BRACE TO PROVIDE ADDITIONAL SUPPORT TO THE JOINED BODY SECTIONS.



NOTE: BRACES SHOULD BE SPACED A MIN. OF 48" ON CENTER.



DETAIL C

THIS DRAWING WAS CREATED AT NO CHARGE TO ASSIST YOU IN VISUALIZING OUR PROPOSAL. THE DRAWING HEREIN IS THE PROPERTY OF SIGNCOMP. PERMISSION TO COPY OR REVISE THIS DRAWING OR TO USE THIS DRAWING FOR PRODUCTION IS STRICTLY PROHIBITED AND CAN ONLY BE COPIED, REVISED OR USED FOR PRODUCTION WITH THE EXPRESSED WRITTEN PERMISSION OF SIGNCOMP.

DRAWING BY:	SBreihof	8/14/2013
Centroid X:	0.000 in	
Centroid Y:	0.000 in	
Principal Moments Ix:	0.000 in ⁴	
Principal Moments Iy:	0.000 in ⁴	
Section Modulus Ix:	0.000 in ³	
Section Modulus Iy:	0.000 in ³	

SignComp

TITLE
Flat 2PC Double Face Body - Assembly

PART NO K2009	REV
-------------------------	-----

SHEET 2 OF 2

PARTS LIST			
ITEM	PART	DESCRIPTION	NOTES
1	2009	Flat 2PC Double Face Body	All Sides
2	5909	Flat 2PC Double Face Body Corner Angle	Notched by Other
13	5218	Corner Angle Screw	Pre-drill 5/32" pilot hole

2



1

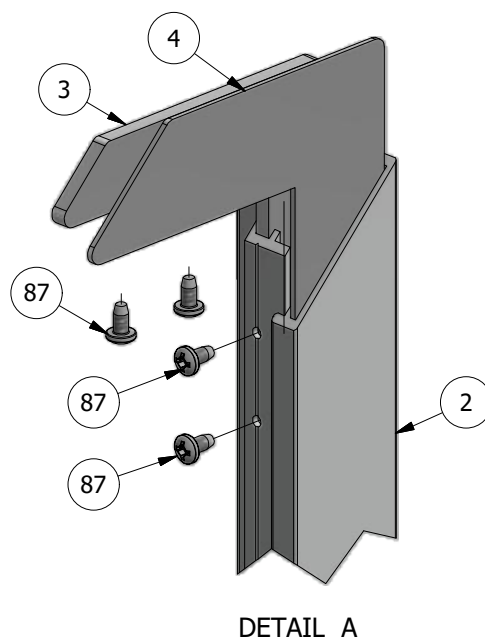
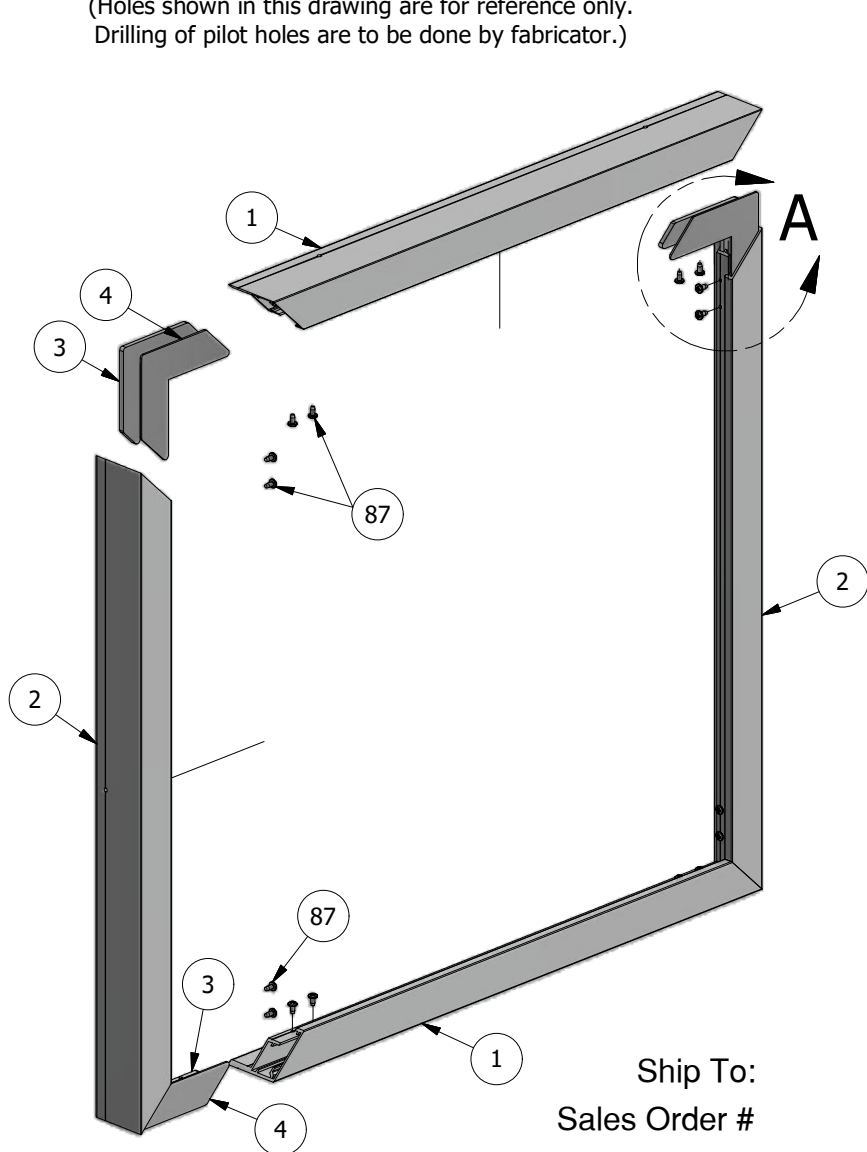
PARTS LIST

ITEM	PART #	DESCRIPTION	NOTES
1	2052	Flat 1-1/2" Retainer	Top & Bottom
2	2052	Flat 1-1/2" Retainer	Sides
3	5213	Flat 1-1/2" Frame Corner Bracket	
4	5213	Flat 1-1/2" Frame Corner Key	
87	5195	Flat Frame Corner Bracket Screw	#8 x 5/16" - Pre-drill 1/8" holes Four(4) per corner

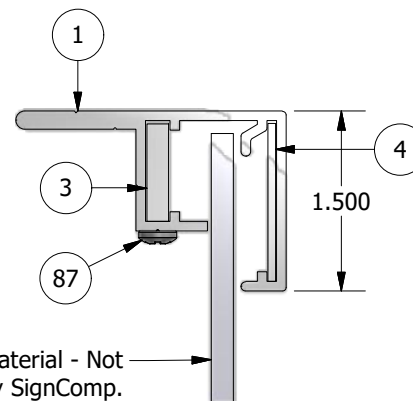
NOTE: PRE-CUT KITS ARE NOT PRE-DRILLED.

(Holes shown in this drawing are for reference only.
Drilling of pilot holes are to be done by fabricator.)

B



DETAIL A



CROSS-SECTION VIEW

1

B

A

A

Ship To:
Sales Order #

2



THIS DRAWING WAS CREATED AT NO CHARGE TO ASSIST YOU IN VISUALIZING OUR PROPOSAL. THE DRAWING HEREIN IS THE PROPERTY OF SIGNCOMP. PERMISSION TO COPY OR REVISE THIS DRAWING OR TO USE THIS DRAWING FOR PRODUCTION IS STRICTLY PROHIBITED AND CAN ONLY BE COPIED, REVISED OR USED FOR PRODUCTION WITH THE EXPRESSED WRITTEN PERMISSION OF SIGNCOMP.

Part Name: Flat 1-1/2" Retainer

Part Number: 2052

Revision:

Date: 5/22/2015

Drawing By: SBreihof

Sheet: 1 of 1

Size: A

SignComp