

2



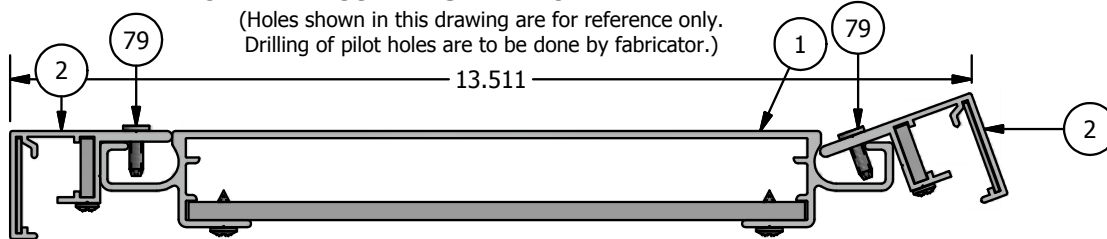
1

PARTS LIST

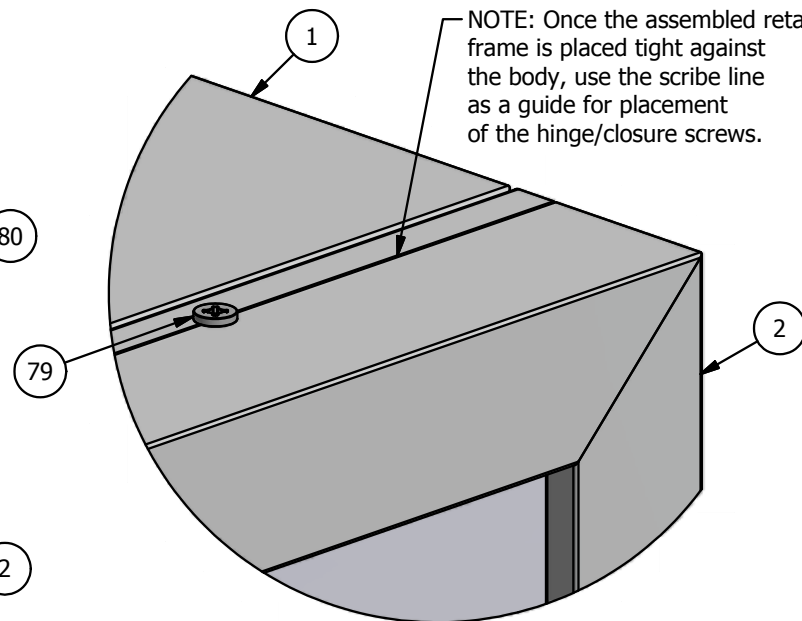
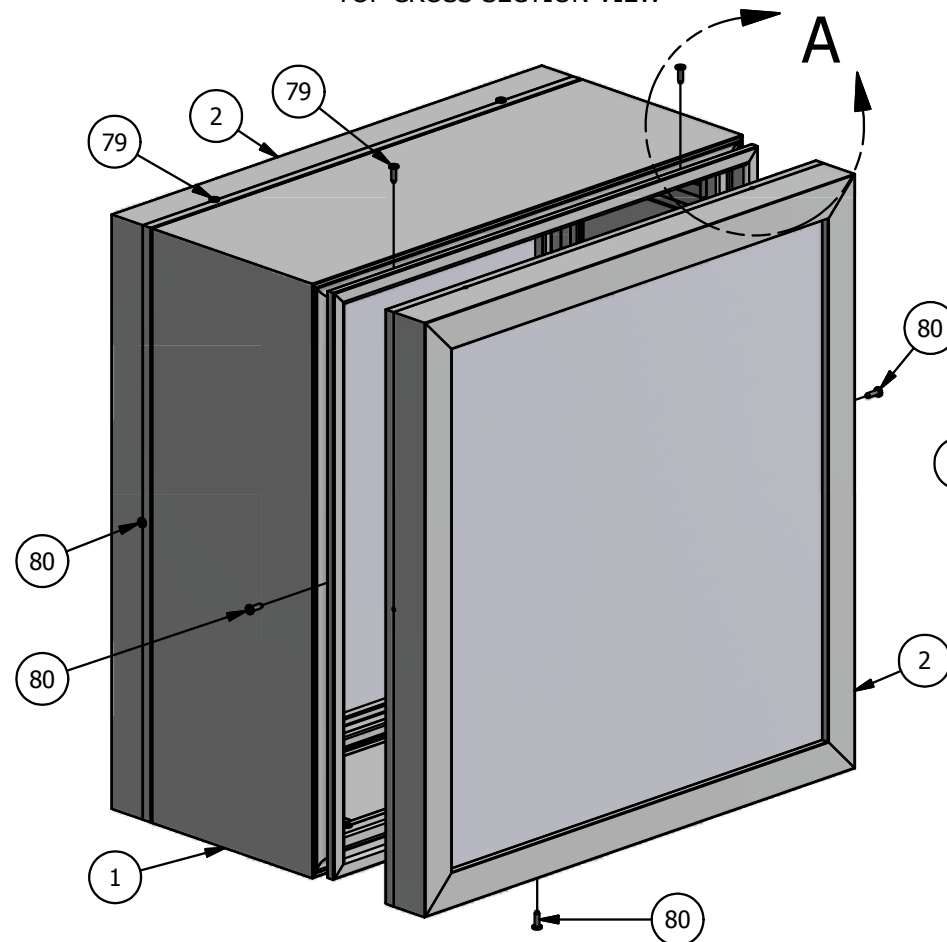
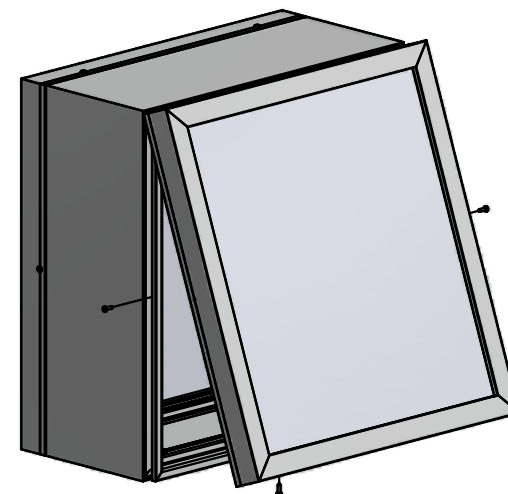
| ITEM | PART# | DESCRIPTION | NOTES |
|------|-------|---|---|
| 1 | 2008 | Flat Double Face Body | Assembly |
| 2 | 2052 | Flat 1-1/2" Retainer | Assembly |
| 79 | 5178 | Hinge Screw - #10 x 5/8" pancake head | Pre-drill 5/32" pilot hole every 36" - Top only |
| 80 | 5178 | Closure Screw - #10 x 5/8" pancake head | Pre-drill 5/32" pilot hole every 48" - Sides & Bottom |

NOTE: PRE-CUT KITS ARE NOT PRE-DRILLED.

(Holes shown in this drawing are for reference only.
Drilling of pilot holes are to be done by fabricator.)



TOP CROSS-SECTION VIEW



DETAIL A

Ship To:
Sales Order #

THIS DRAWING WAS CREATED AT NO CHARGE TO ASSIST YOU IN VISUALIZING OUR PROPOSAL. THE DRAWING HEREIN IS THE PROPERTY OF SIGNCOMP. PERMISSION TO COPY OR REVISE THIS DRAWING OR TO USE THIS DRAWING FOR PRODUCTION IS STRICTLY PROHIBITED AND CAN ONLY BE COPIED, REVISED OR USED FOR PRODUCTION WITH THE EXPRESSED WRITTEN PERMISSION OF SIGNCOMP.

Part Name: Flat Double Face Body & Flat 1-1/2" Ret. - Assembly

Part Number: K2008/2052

Date: 6/1/2015

Drawing By: SBreihof

Sheet: 1 of 1

Size:

A

SignComp

B

B

A

A

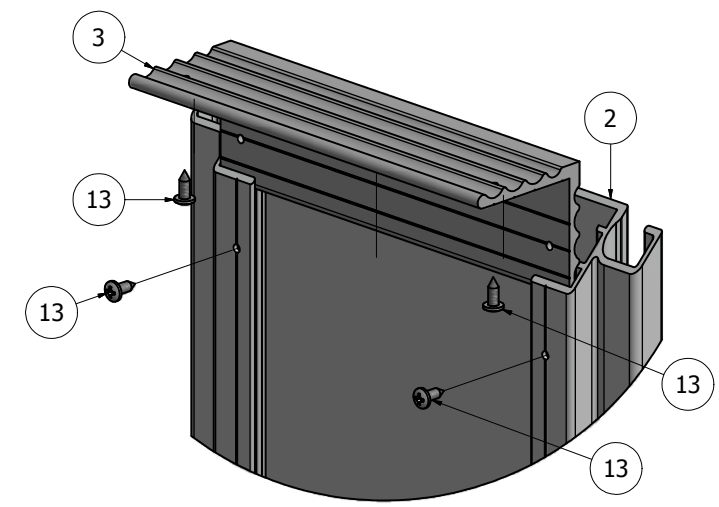
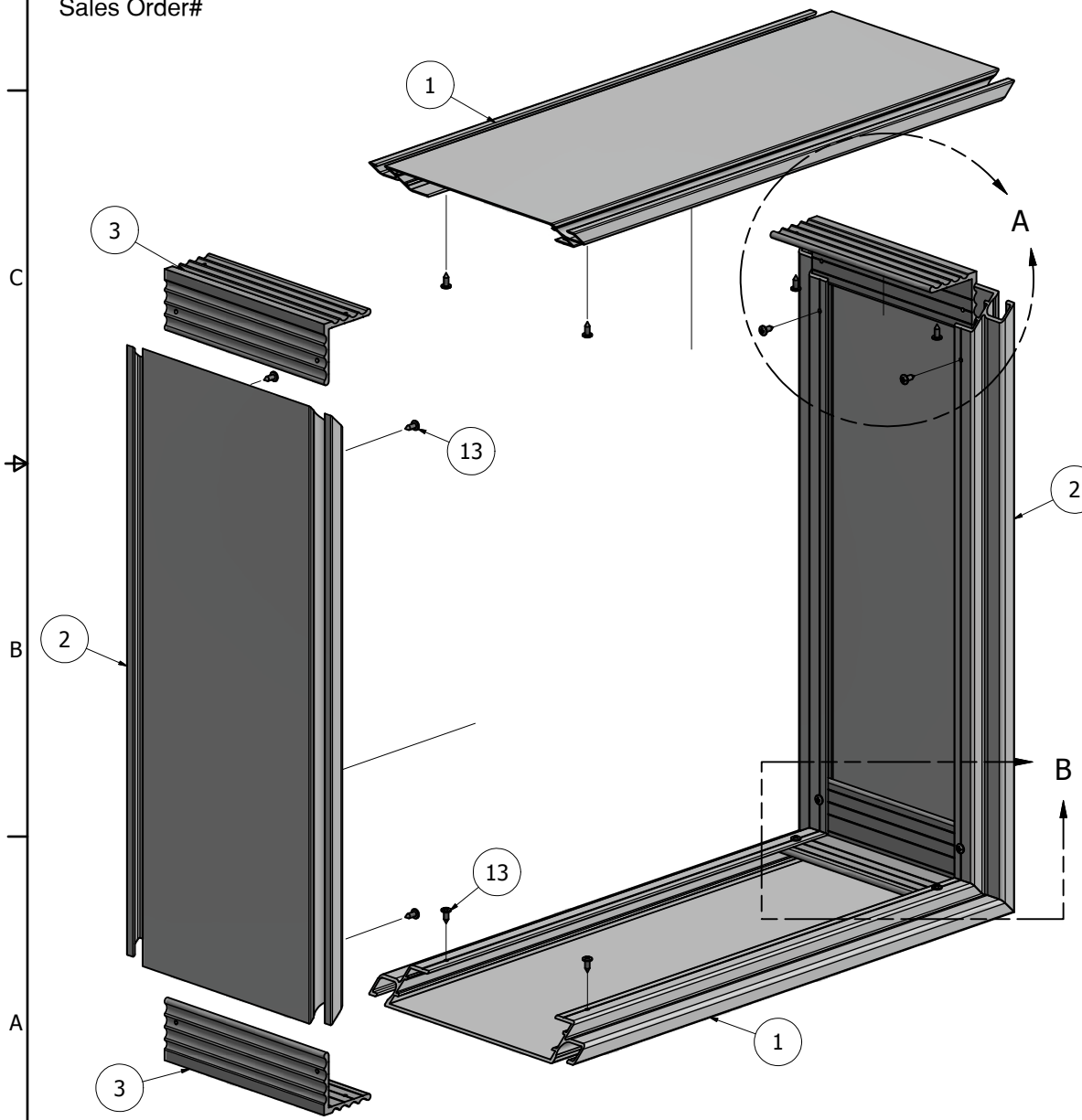
2



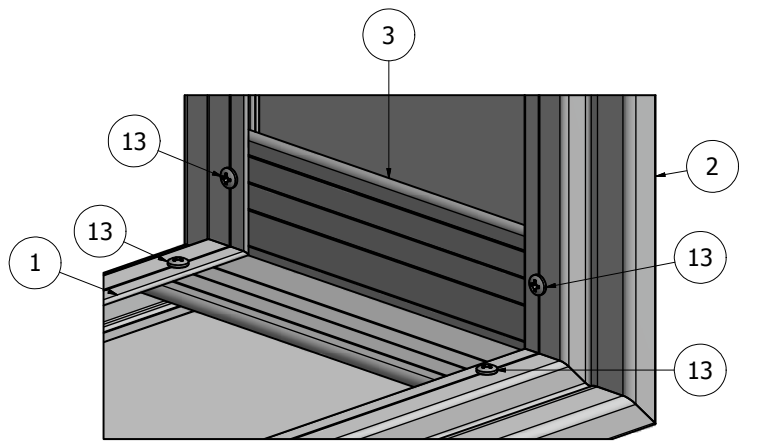
1

| PARTS LIST | | | |
|------------|--------|------------------------------------|----------------------------|
| ITEM | PART # | DESCRIPTION | NOTES |
| 1 | 2008 | Flat Double Face Body | Top & Bottom |
| 2 | 2008 | Flat Double Face Body | Sides |
| 3 | 5908 | Flat Double Face Body Corner Angle | One (1) per corner |
| 13 | 5218 | Corner Angle Screw | Pre-drill 5/32" pilot hole |

Ship To:
Sales Order#



DETAIL A



DETAIL B

NOTE: PRE-CUT KITS ARE NOT PRE-DRILLED.
(Holes shown in this drawing are for reference only.
Drilling of pilot holes are to be done by fabricator.)

| | | | |
|-----------------------|--|----------------------------------|-----|
| DRAWING BY: | | SBreihof 8/14/2013 | |
| Centroid X: | | 0.000 in | |
| Centroid Y: | | 0.000 in | |
| Principal Moments Ix: | | 0.000 in ⁴ | |
| Principal Moments Iy: | | 0.000 in ⁴ | |
| Section Modulus Ix: | | 0.000 in ³ | |
| Section Modulus Iy: | | 0.000 in ³ | |
| TITLE | | Flat Double Face Body - Assembly | |
| PART NO | | K2008 | REV |
| SHEET | | 1 OF 1 | |

2



1

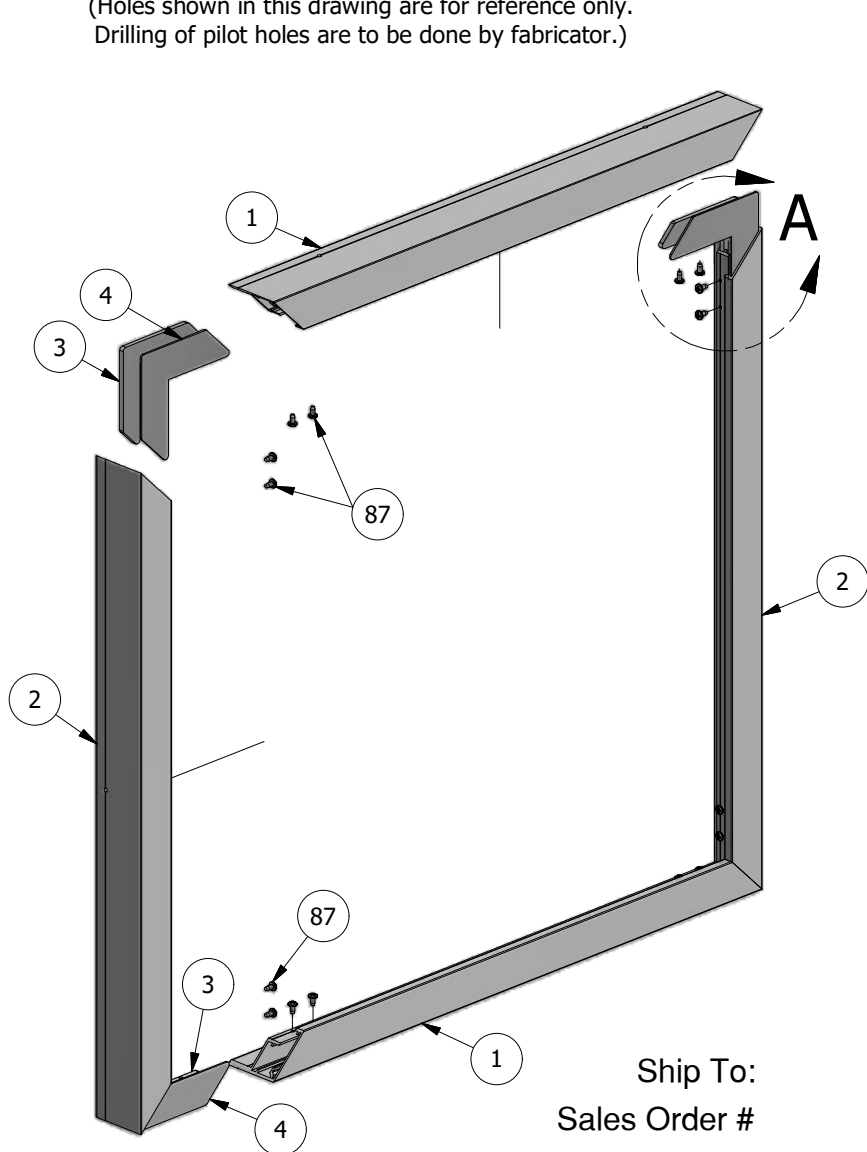
PARTS LIST

| ITEM | PART # | DESCRIPTION | NOTES |
|------|--------|----------------------------------|--|
| 1 | 2052 | Flat 1-1/2" Retainer | Top & Bottom |
| 2 | 2052 | Flat 1-1/2" Retainer | Sides |
| 3 | 5213 | Flat 1-1/2" Frame Corner Bracket | |
| 4 | 5213 | Flat 1-1/2" Frame Corner Key | |
| 87 | 5195 | Flat Frame Corner Bracket Screw | #8 x 5/16" - Pre-drill 1/8" holes Four(4) per corner |

NOTE: PRE-CUT KITS ARE NOT PRE-DRILLED.

(Holes shown in this drawing are for reference only.
Drilling of pilot holes are to be done by fabricator.)

B

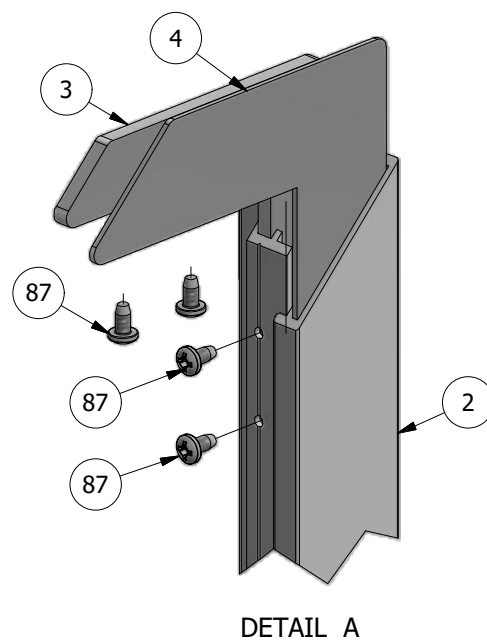


Ship To:
Sales Order #

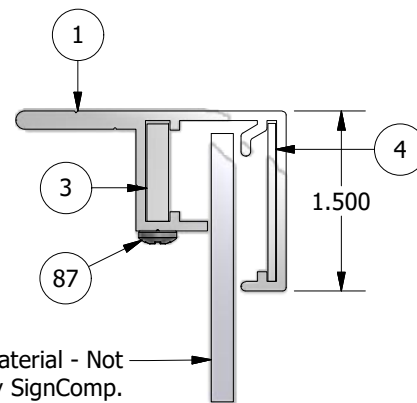
2



1



DETAIL A



3/16" Face Material - Not
provided by SignComp.

CROSS-SECTION VIEW

1

THIS DRAWING WAS CREATED AT NO CHARGE TO ASSIST YOU IN VISUALIZING OUR PROPOSAL. THE DRAWING HEREIN IS THE PROPERTY OF SIGNCOMP. PERMISSION TO COPY OR REVISE THIS DRAWING OR TO USE THIS DRAWING FOR PRODUCTION IS STRICTLY PROHIBITED AND CAN ONLY BE COPIED, REVISED OR USED FOR PRODUCTION WITH THE EXPRESSED WRITTEN PERMISSION OF SIGNCOMP.

Part Name: Flat 1-1/2" Retainer

Part Number: 2052

Revision:

Date: 5/22/2015

Drawing By:

SBreihof

Sheet: 1 of 1

Size: A

SignComp

B

A