

2



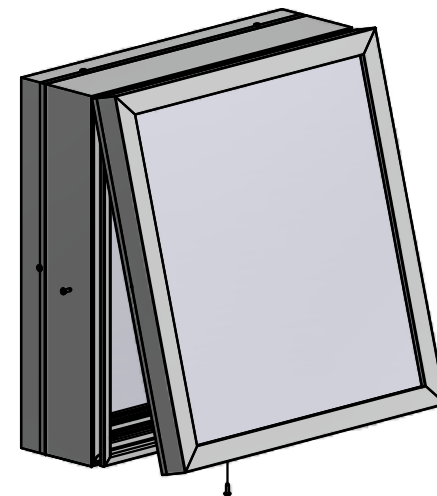
1

PARTS LIST

ITEM	PART #	DESCRIPTION	NOTES
1	2007	Flat Double Face Medium Body	
2	2052	Flat 1-1/2" Retainer	
79	5178	Hinge Screw - #10 x 5/8" pancake head	Pre-drill 5/32" pilot hole every 36" - Top only
80	5178	Closure Screw - #10 x 5/8" pancake head	Pre-drill 5/32" pilot hole every 48" - Sides & Bottom

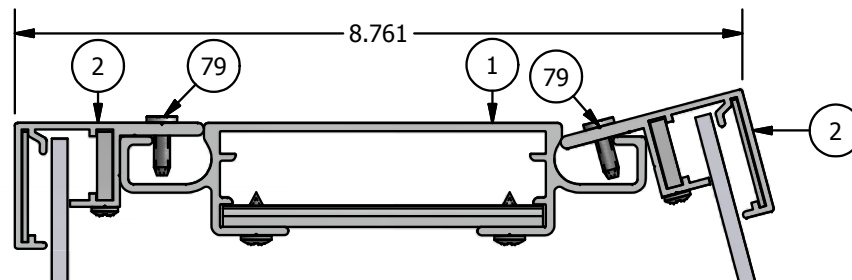
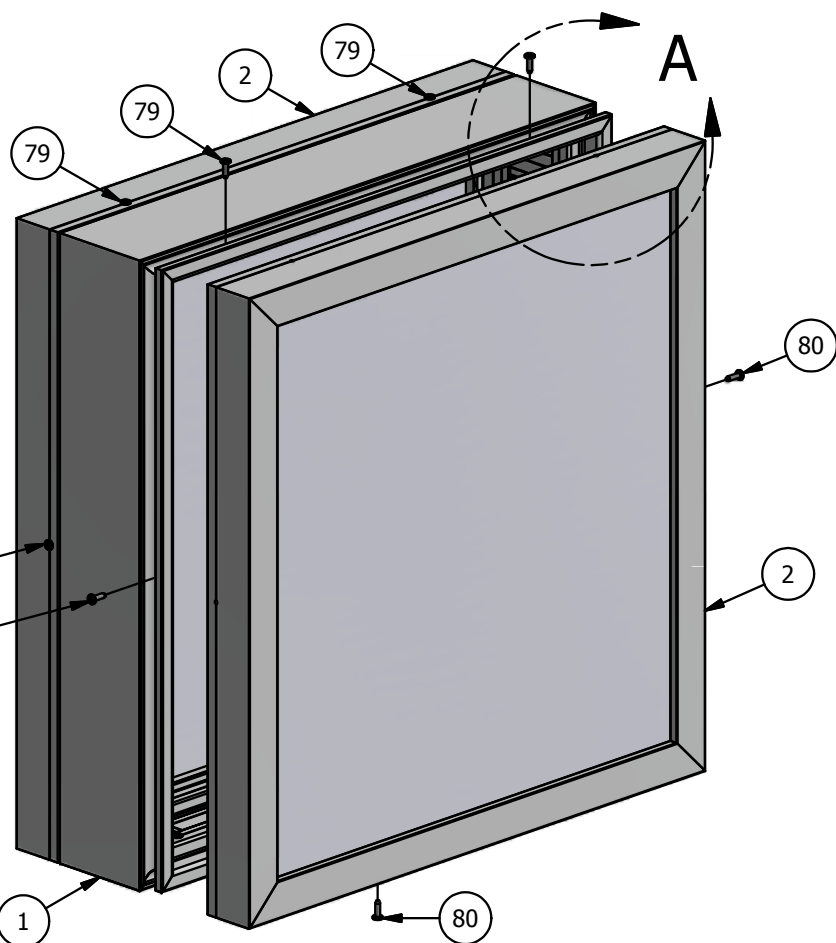
NOTE: PRE-CUT KITS ARE NOT PRE-DRILLED.

(Holes shown in this drawing are for reference only.
Drilling of pilot holes are to be done by fabricator.)

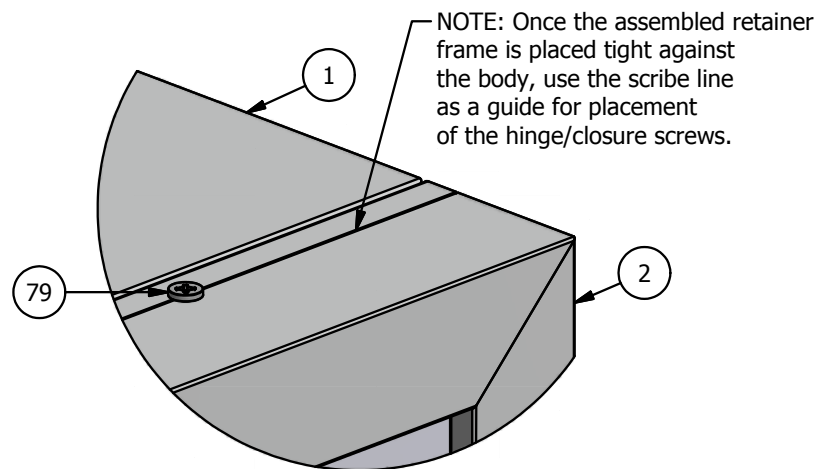


B

Ship To:
Sales Order #



TOP CROSS-SECTION



DETAIL A

NOTE: Once the assembled retainer frame is placed tight against the body, use the scribe line as a guide for placement of the hinge/closure screws.

THIS DRAWING WAS CREATED AT NO CHARGE TO ASSIST YOU IN VISUALIZING OUR PROPOSAL. THE DRAWING HEREIN IS THE PROPERTY OF SIGNCOMP. PERMISSION TO COPY OR REVISE THIS DRAWING OR TO USE THIS DRAWING FOR PRODUCTION IS STRICTLY PROHIBITED AND CAN ONLY BE COPIED, REVISED OR USED FOR PRODUCTION WITH THE EXPRESSED WRITTEN PERMISSION OF SIGNCOMP.

Part Name: Flat Double Face Body & Flat 1-1/2" Ret. - Assembly

Part Number: K2007/2052

Date: 6/3/2015

Drawing By: SBreihof

Sheet: 1 of 1

Size:

A

SignComp

A

B

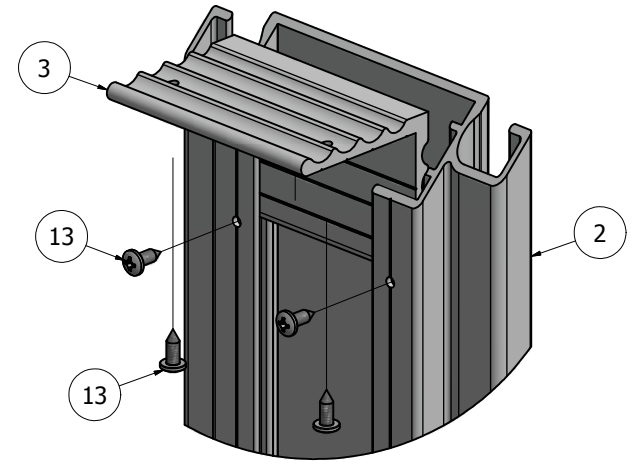
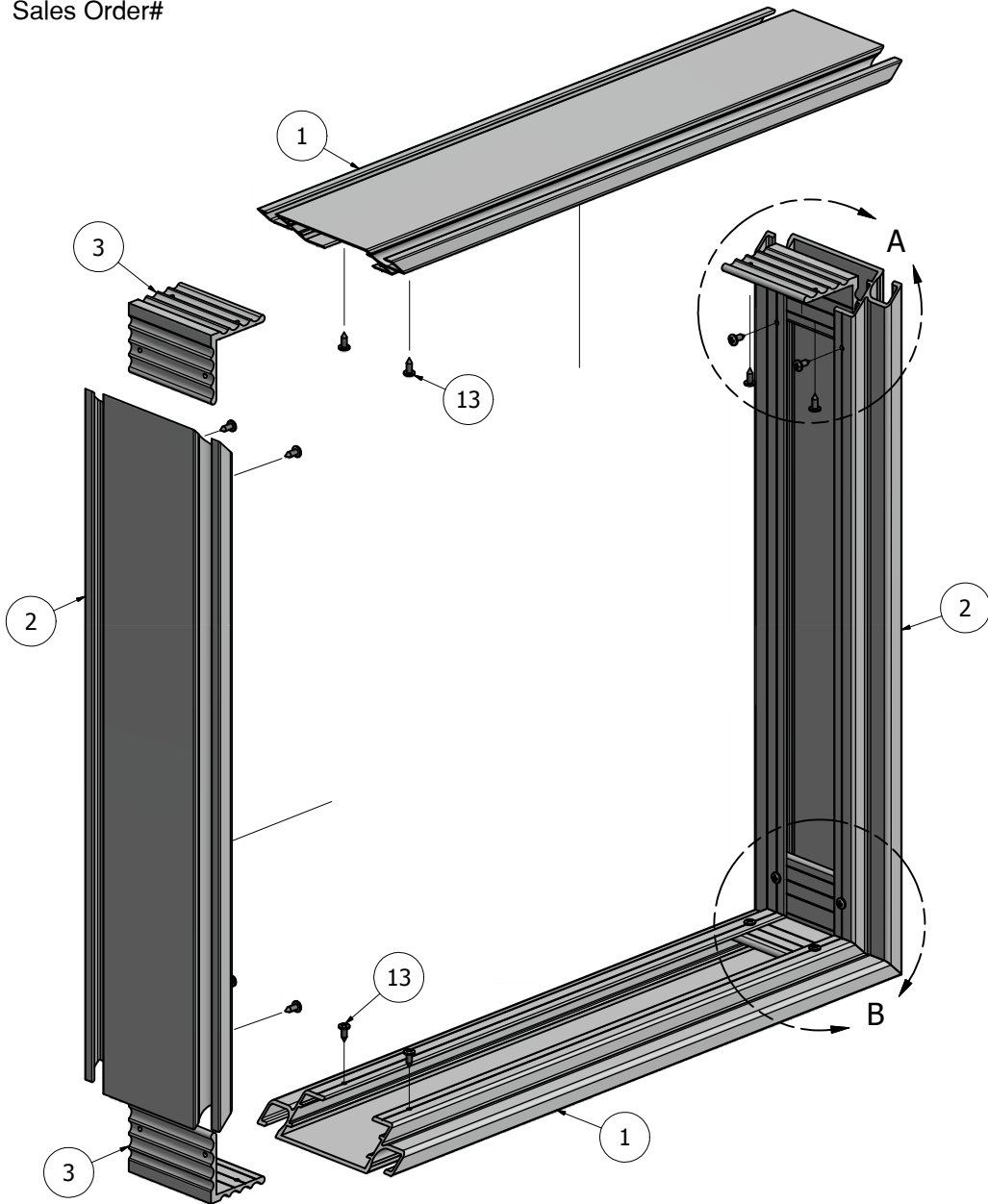
2



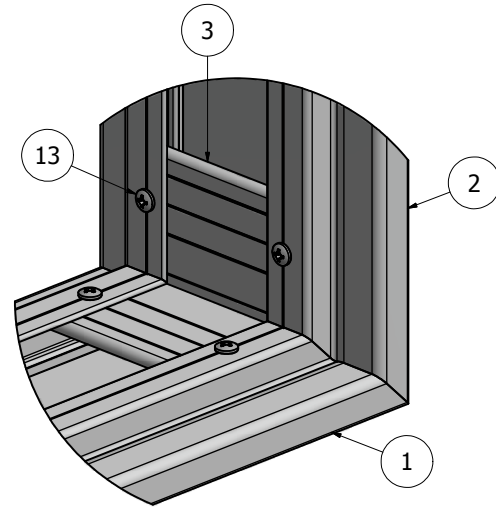
1

PARTS LIST			
ITEM	PART #	DESCRIPTION	NOTES
1	2007	Flat Double Face Medium Body	Top and Bottom
2	2007	Flat Double Face Medium Body	Sides
3	5907	Flat Double Face Medium Body Corner Angle	One (1) per corner
13	5218	Corner Angle Screw	Pre-drill 5/32" pilot hole

Ship To:
Sales Order#



DETAIL A



DETAIL B

NOTE: PRE-CUT KITS ARE NOT PRE-DRILLED.
(Holes shown in this drawing are for reference only.
Drilling of pilot holes are to be done by fabricator.)

THIS DRAWING WAS CREATED AT NO CHARGE TO ASSIST YOU IN VISUALIZING OUR PROPOSAL. THE DRAWING HEREIN IS THE PROPERTY OF SIGNCOMP. PERMISSION TO COPY OR REVISE THIS DRAWING OR TO USE THIS DRAWING FOR PRODUCTION IS STRICTLY PROHIBITED AND CAN ONLY BE COPIED, REVISED OR USED FOR PRODUCTION WITH THE EXPRESSED WRITTEN PERMISSION OF SIGNCOMP.

DRAWING BY:	SBreihof	8/13/2013	SignComp
Centroid X:	0.000 in		
Centroid Y:	0.000 in		TITLE
Principal Moments Ix:	0.000 in ⁴		Flat Double Face Medium Body - Assembly
Principal Moments Iy:	0.000 in ⁴		PART NO
Section Modulus Ix:	0.000 in ³		K2007
Section Modulus Iy:	0.000 in ³		REV
			SHEET 1 OF 1

2



1

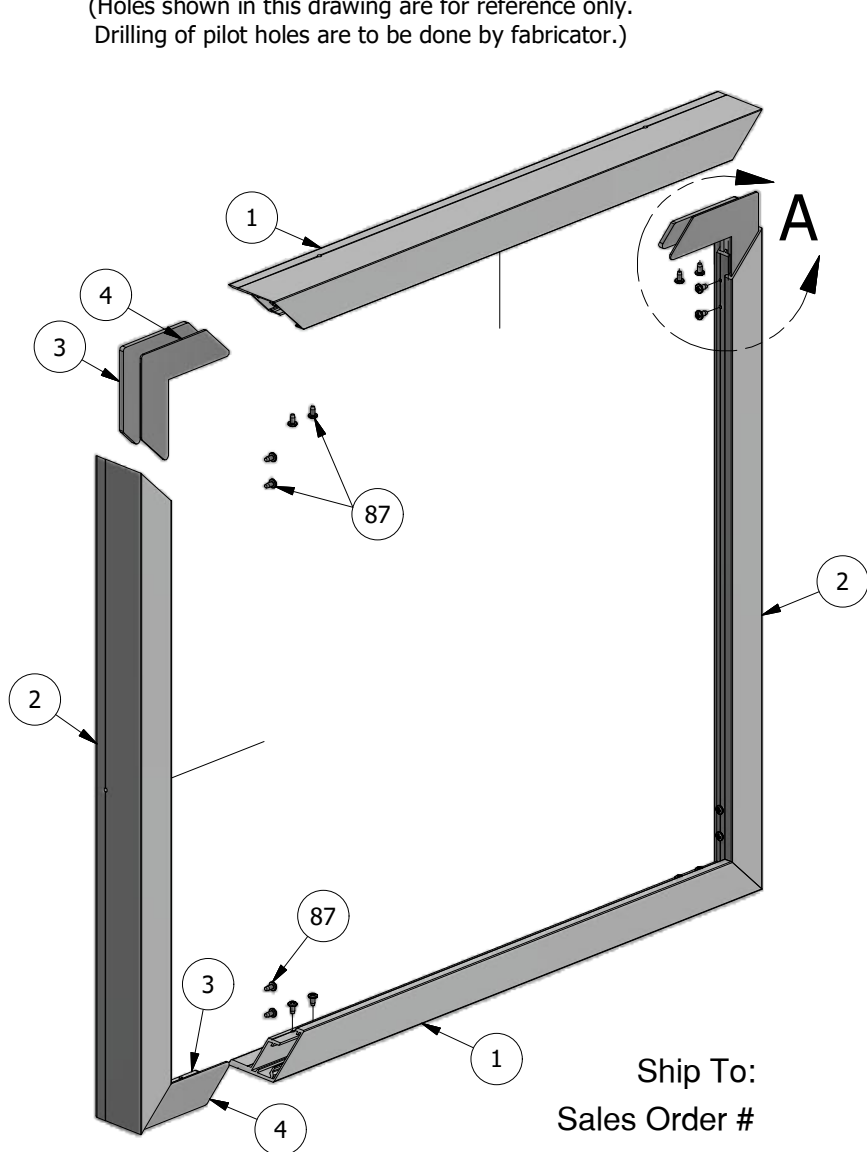
PARTS LIST

ITEM	PART #	DESCRIPTION	NOTES
1	2052	Flat 1-1/2" Retainer	Top & Bottom
2	2052	Flat 1-1/2" Retainer	Sides
3	5213	Flat 1-1/2" Frame Corner Bracket	
4	5213	Flat 1-1/2" Frame Corner Key	
87	5195	Flat Frame Corner Bracket Screw	#8 x 5/16" - Pre-drill 1/8" holes Four(4) per corner

NOTE: PRE-CUT KITS ARE NOT PRE-DRILLED.

(Holes shown in this drawing are for reference only.
Drilling of pilot holes are to be done by fabricator.)

B

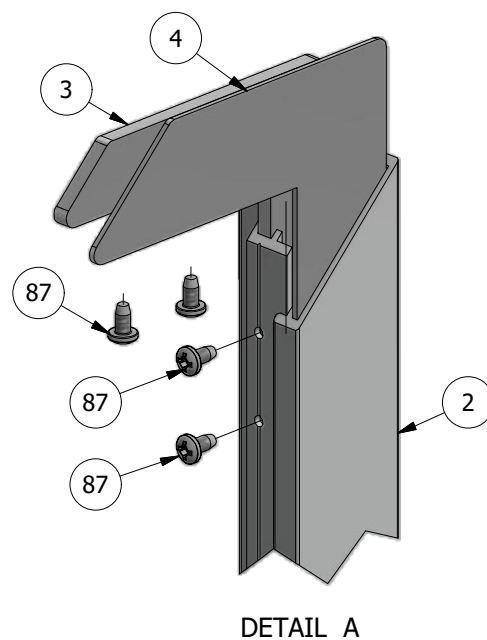


Ship To:
Sales Order #

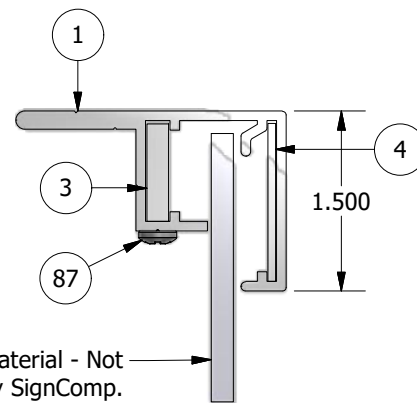
2



1



DETAIL A



CROSS-SECTION VIEW

1

THIS DRAWING WAS CREATED AT NO CHARGE TO ASSIST YOU IN VISUALIZING OUR PROPOSAL. THE DRAWING HEREIN IS THE PROPERTY OF SIGNCOMP. PERMISSION TO COPY OR REVISE THIS DRAWING OR TO USE THIS DRAWING FOR PRODUCTION IS STRICTLY PROHIBITED AND CAN ONLY BE COPIED, REVISED OR USED FOR PRODUCTION WITH THE EXPRESSED WRITTEN PERMISSION OF SIGNCOMP.

Part Name: Flat 1-1/2" Retainer

Part Number: 2052

Revision:

Date: 5/22/2015

Drawing By:

SBreihof

Sheet: 1 of 1

Size: A

SignComp

B

A