

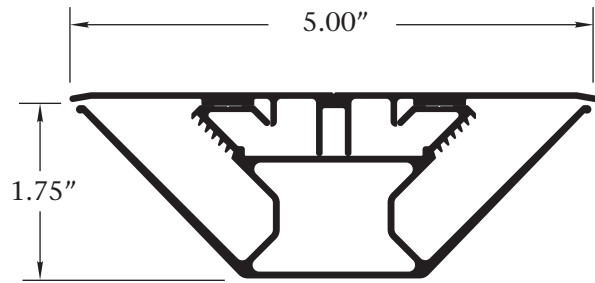
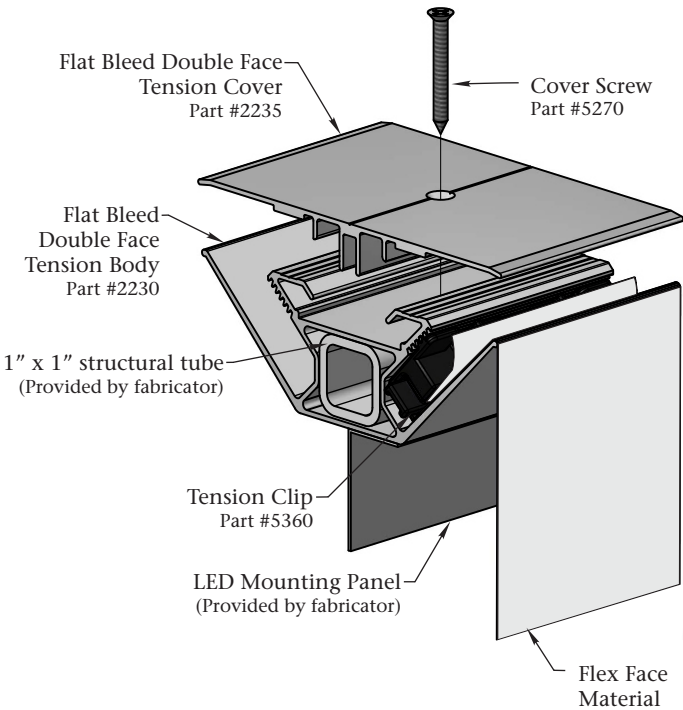




PRODUCT INFORMATION SHEET:

Flat Bleed Double Face Tension Body w/ Flat Bleed Double Face Tension Cover

	Part Number	Part	Length	Finish
	2230	Flat Bleed Double Face Tension Body	24'-6"	Mill
	2235	Flat Bleed Double Face Tension Cover	24'-6"	Mill



Features & Benefits

- Great for interior applications
- Narrow Double Face full bleed for flexible fabrics
- 3 mounting options:
 - Ceiling mount
 - Cantilever
 - Freestanding
- The frame can be kerf cut to create custom shapes
- Ideal for LED applications
- Internal provisions to accommodate 1" structural tubes
- Cover screws are countersunk to ensure a flat, smooth surface

