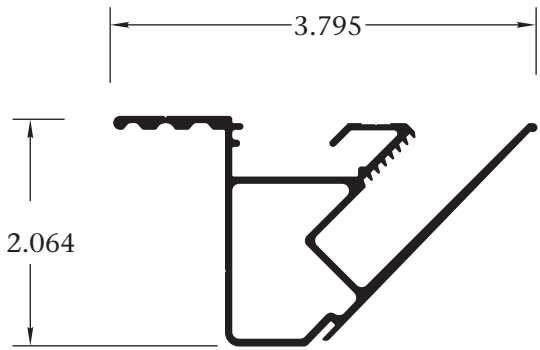




PRODUCT INFORMATION SHEET:

Flat Bleed Retro Frame with Reflector Slot

Part Number	Part	Length	Finish	List Price
2103	Flat Bleed Retro Frame w/ Reflector Slot	24'-6"	Mill	\$112.19
			<i>Cost per Foot</i>	4.58



Features & Benefits

- Reflector slot added to accommodate .040 material to direct light evenly to outer edges
- Three (3) cover options available:
 - Flat Bleed Retro Frame Cover (Part #2121)
 - Extended Bleed Retro Frame Cover (Part #2123)
 - 1-1/2" Flat Retro Frame Cover (Part #2125)
- Not designed for hingeable applications

