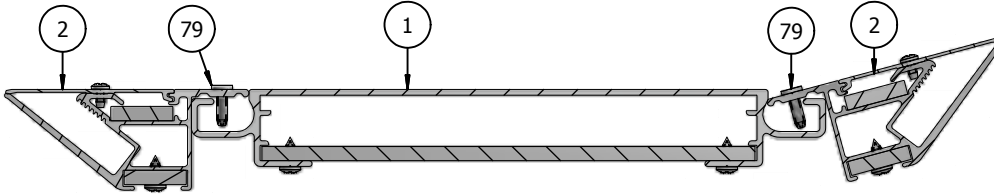
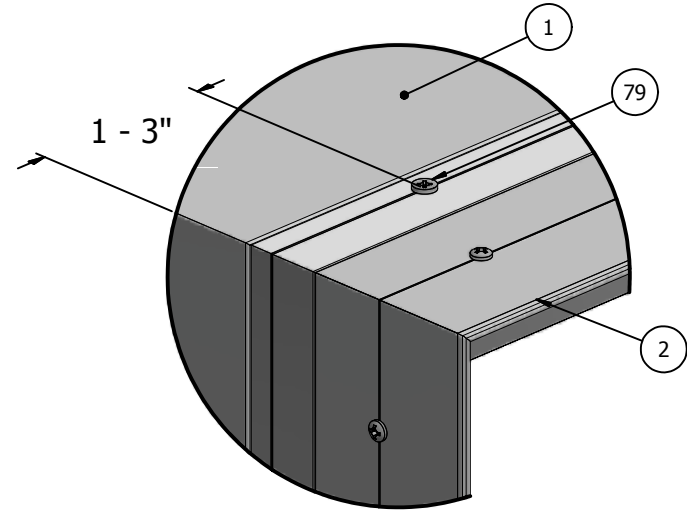
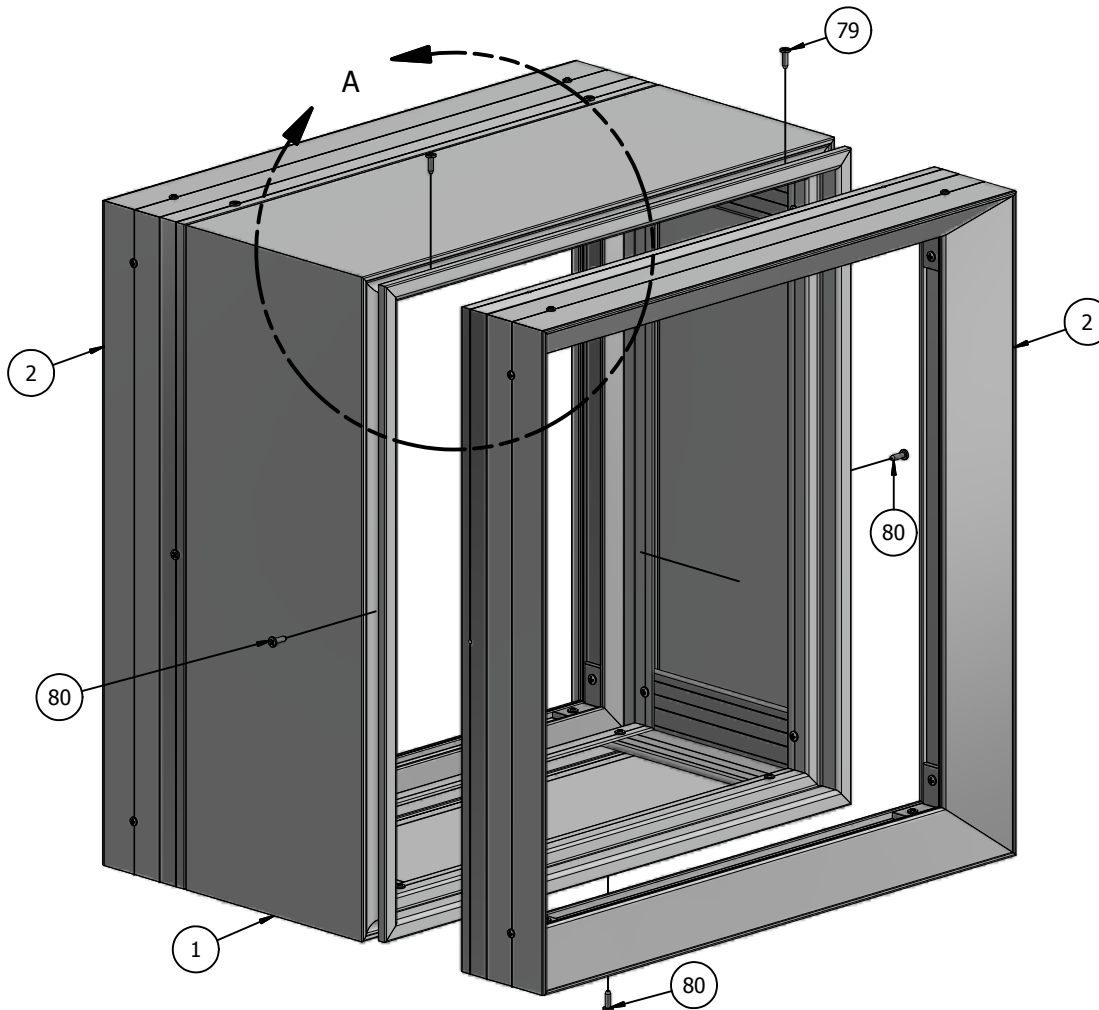


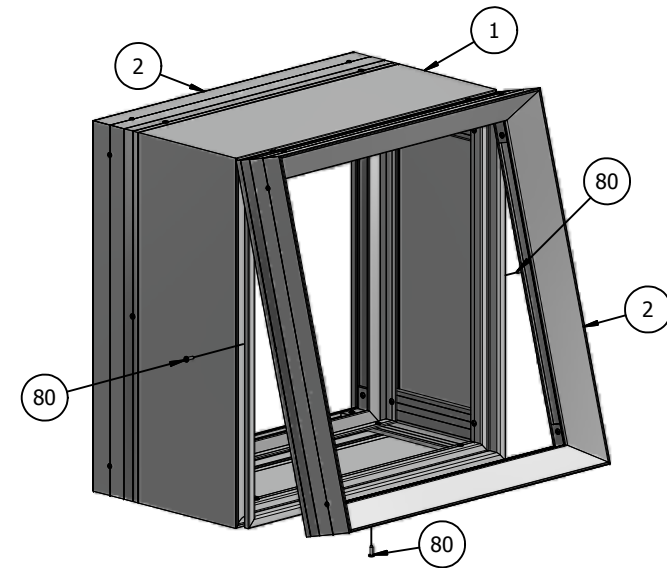
ITEM	PART #	DESCRIPTION	NOTES
1	K2008	Flat Double Face Body	Assembly
2	K2107-2121	Flat Bleed Retro Frame II w/ Bleed Cover	Assembly
79	5178	Hinge Screw - #10 x 5/8" pancake head	Pre-drill 5/32" - Top 36" o/c
80	5178	Closure Screw - #10 x 5/8" pancake head	Pre-drill 5/32" - Bottom and Sides 48" o/c



TOP CROSS-SECTION VIEW



DETAIL A
FRAME CLOSED



Ship To:
Sales Order #

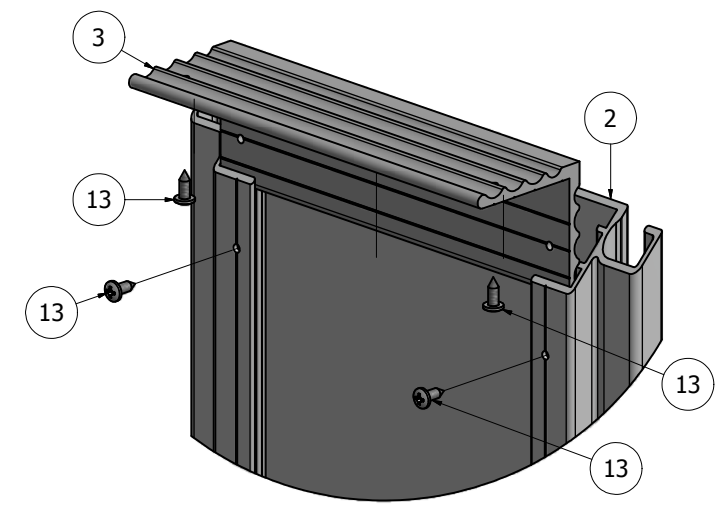
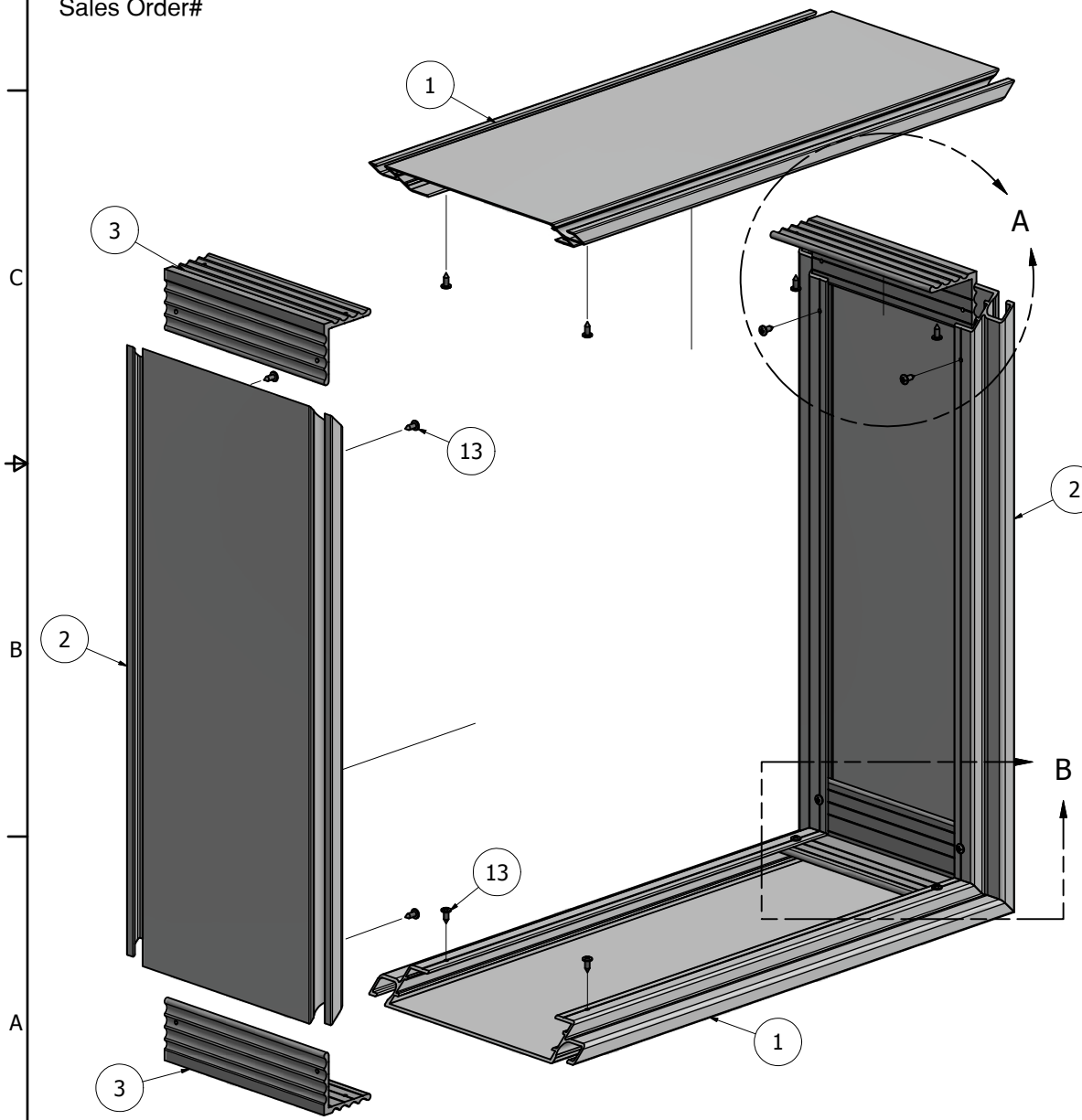
THIS DRAWING WAS CREATED AT NO CHARGE TO ASSIST YOU IN VISUALIZING OUR PROPOSAL. THE DRAWING HEREIN IS THE PROPERTY OF SIGNCOMP. PERMISSION TO COPY OR REVISE THIS DRAWING OR TO USE THIS DRAWING FOR PRODUCTION IS STRICTLY PROHIBITED AND CAN ONLY BE COPIED, REVISED OR USED FOR PRODUCTION WITH THE EXPRESSED WRITTEN PERMISSION OF SIGNCOMP.

Part Name: **Flat Dbl Face Body w/ Flat Bleed Retro Frm II**
 Part Number: **K2008-2107-21**
 Revision: **7-21**
 Date: **2/24/2015**
 Drawing By: **SBreihof**
 Sheet: **1 of 1**
 Size: **A**

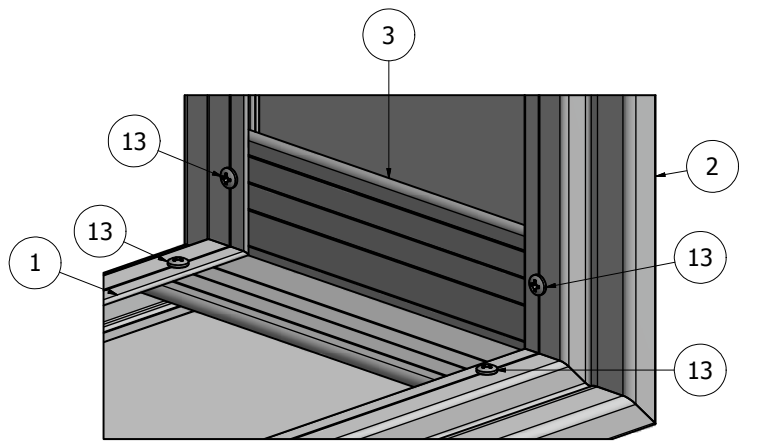
SignComp

PARTS LIST			
ITEM	PART #	DESCRIPTION	NOTES
1	2008	Flat Double Face Body	Top & Bottom
2	2008	Flat Double Face Body	Sides
3	5908	Flat Double Face Body Corner Angle	One (1) per corner
13	5218	Corner Angle Screw	Pre-drill 5/32" pilot hole

Ship To:
Sales Order#



DETAIL A



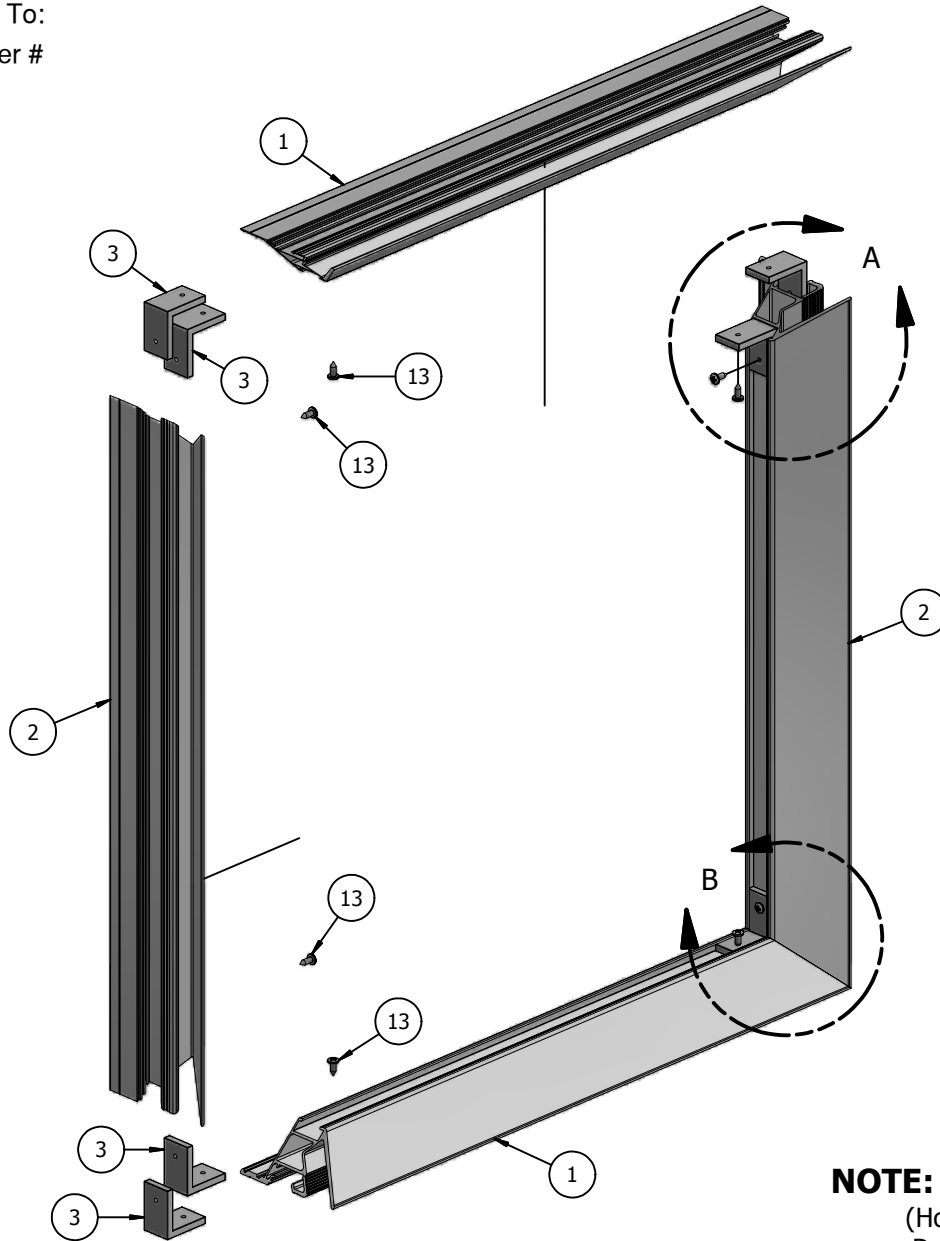
DETAIL B

NOTE: PRE-CUT KITS ARE NOT PRE-DRILLED.
(Holes shown in this drawing are for reference only.
Drilling of pilot holes are to be done by fabricator.)

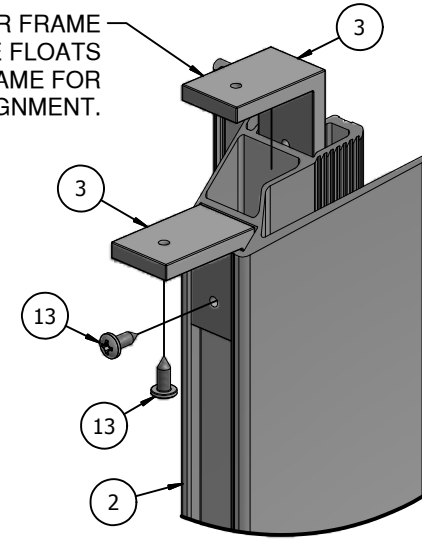
DRAWING BY: SBreihof 8/14/2013		SignComp
Centroid X: 0.000 in	TITLE	
Centroid Y: 0.000 in	Flat Double Face Body - Assembly	
Principal Moments Ix: 0.000 in ⁴	PART NO	REV
Principal Moments Iy: 0.000 in ⁴	K2008	
Section Modulus Ix: 0.000 in ³	SHEET 1 OF 1	
Section Modulus Iy: 0.000 in ³		

ITEM	PART #	DESCRIPTION	NOTES
1	2107	Flat Bleed Retro Frame II	Top & Bottom
2	2107	Flat Bleed Retro Frame II	Sides
3	5305	Frame Corner Angle	Two (2) per corner
13	5218	Corner Angle Screw	#10 x 1/2" pan head tapping

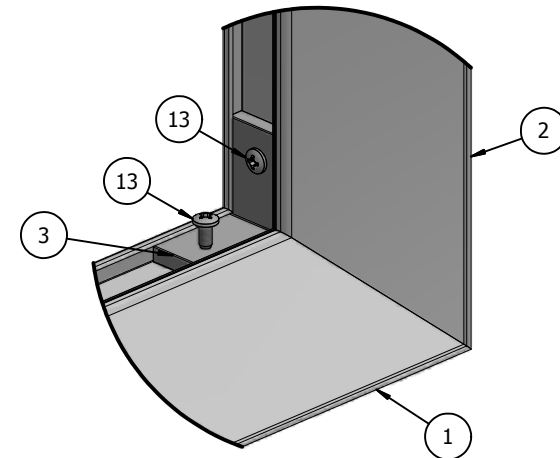
Ship To:
Sales Order #



THE OUTER FRAME
CORNER ANGLE FLOATS
IN THE FRAME FOR
ALIGNMENT.



DETAIL A



DETAIL B

NOTE: PRE-CUT KITS ARE NOT PRE-DRILLED.

(Holes shown in this drawing are for reference only.
Drilling of pilot holes are to be done by fabricator.)

THIS DRAWING WAS CREATED AT NO CHARGE TO ASSIST YOU IN VISUALIZING OUR PROPOSAL. THE DRAWING HEREIN IS THE PROPERTY OF SIGNCOMP. PERMISSION TO COPY OR REVISE THIS DRAWING OR TO USE THIS DRAWING FOR PRODUCTION IS STRICTLY PROHIBITED AND CAN ONLY BE COPIED, REVISED OR USED FOR PRODUCTION WITH THE EXPRESSED WRITTEN PERMISSION OF SIGNCOMP.

Part Name: Flat Bleed Retro Frame II - Assembly

Date: 1/30/2015

Revision:

K2107

Drawing By: SBreihof

Sheet: 1 of 1

Size:

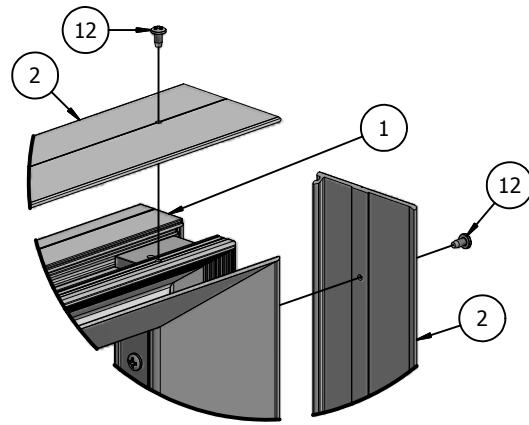
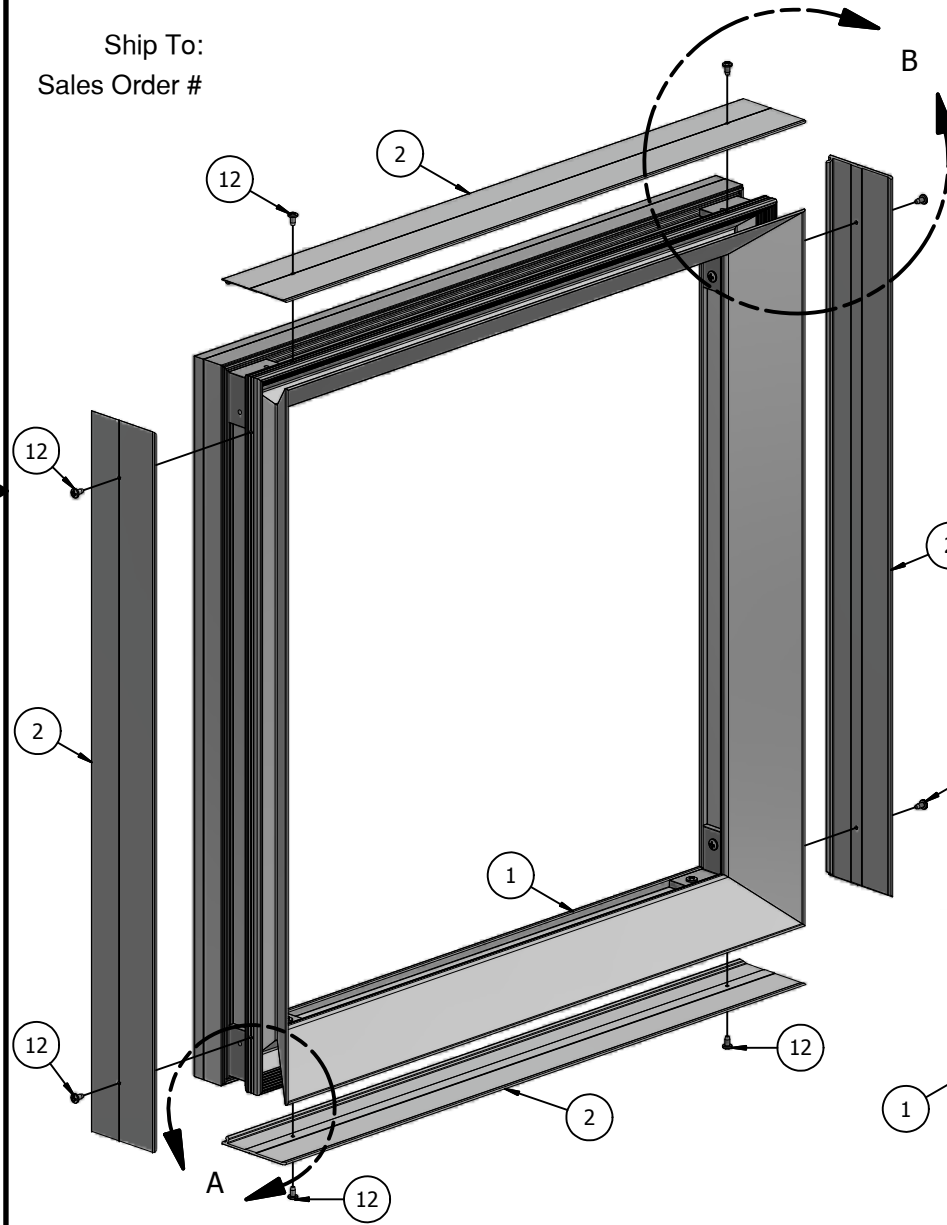
SignComp

ITEM	PART #	DESCRIPTION	NOTES
1	2107	Flat Bleed Retro Frame II	Assembly
2	2121	Flat Bleed Retro Cover	All Sides
12	5195	Cover Screw	#8x5/16" Pre-drill 1/8" hole

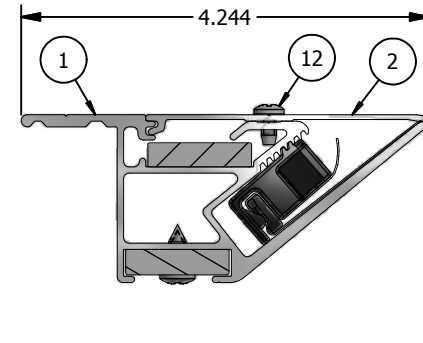
NOTE: PRE-CUT KITS ARE NOT PRE-DRILLED.

(Holes shown in this drawing are for reference only.
Drilling of pilot holes are to be done by fabricator.)

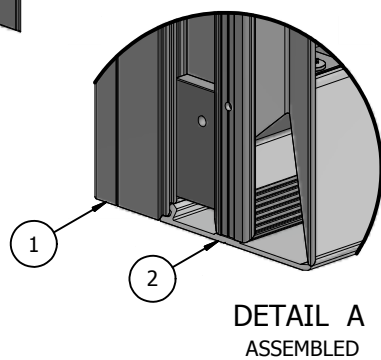
Ship To:
Sales Order #



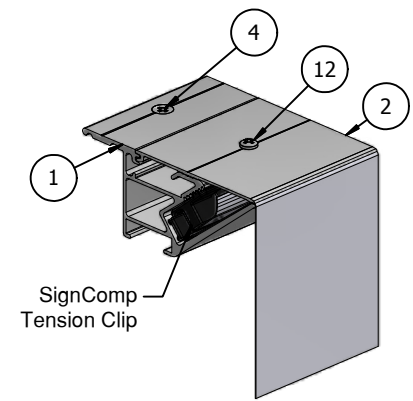
DETAIL B



ASSEMBLY CROSS-SECTION



DETAIL A
ASSEMBLED



SignComp
Tension Clip

THIS DRAWING WAS CREATED AT NO CHARGE TO ASSIST YOU IN VISUALIZING OUR PROPOSAL. THE DRAWING HEREIN IS THE PROPERTY OF SIGNCOMP. PERMISSION TO COPY OR REVISE THIS DRAWING OR TO USE THIS DRAWING FOR PRODUCTION IS STRICTLY PROHIBITED AND CAN ONLY BE COPIED, REVISED OR USED FOR PRODUCTION WITH THE EXPRESSED WRITTEN PERMISSION OF SIGNCOMP.

Part Name:	Flat Bleed Retro Frame II/Bleed Cover - Assembly	Sheet:	1 of 1	Size:	A
Part Number:	K2107-21	Revision:		Drawing By:	SBreihof
		Date:	1/30/2015		

2

1

2

1