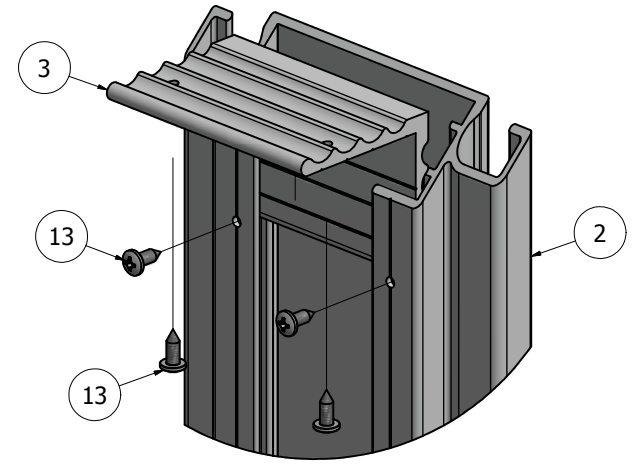
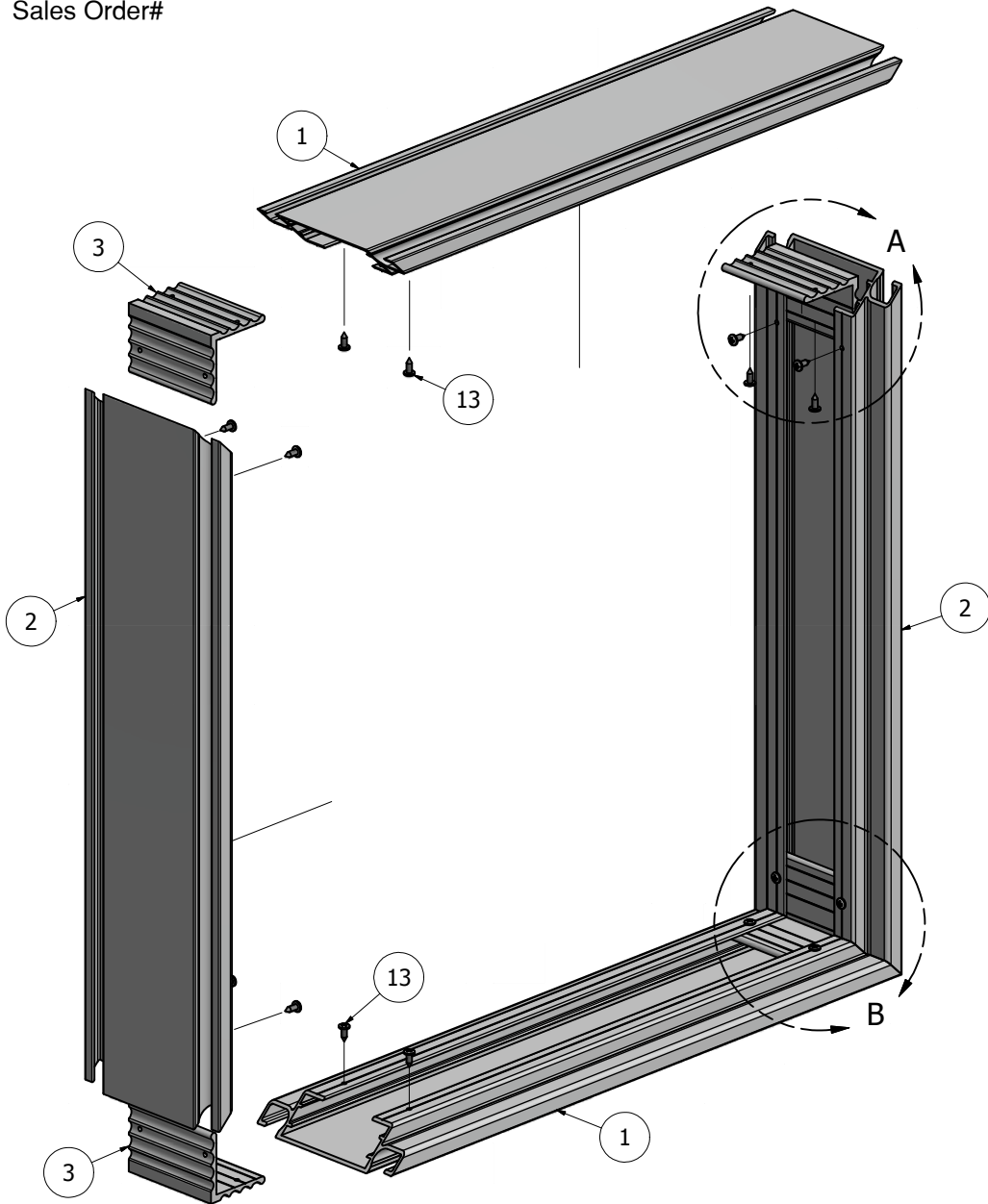
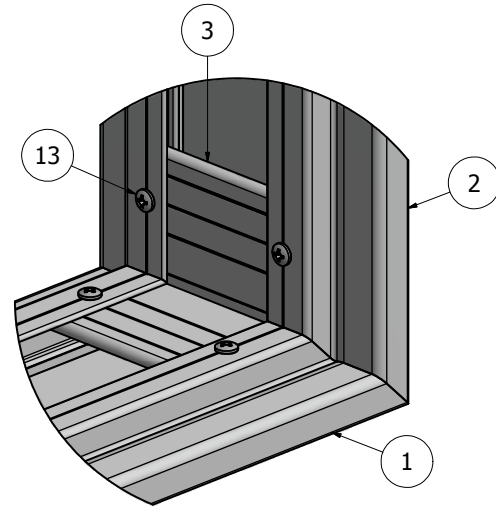


PARTS LIST			
ITEM	PART #	DESCRIPTION	NOTES
1	2007	Flat Double Face Medium Body	Top and Bottom
2	2007	Flat Double Face Medium Body	Sides
3	5907	Flat Double Face Medium Body Corner Angle	One (1) per corner
13	5218	Corner Angle Screw	Pre-drill 5/32" pilot hole

Ship To:
Sales Order#



DETAIL A



DETAIL B

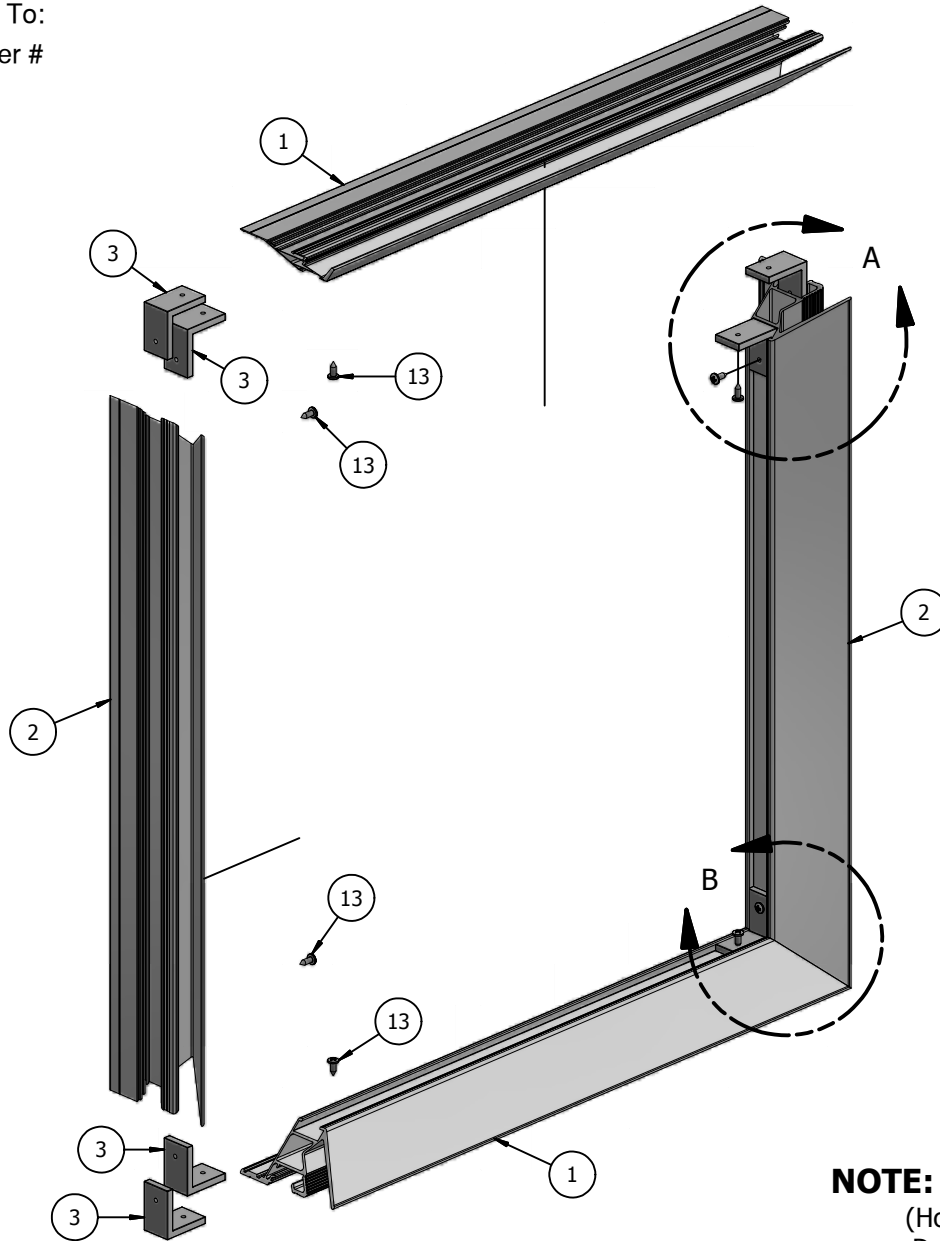
NOTE: PRE-CUT KITS ARE NOT PRE-DRILLED.
(Holes shown in this drawing are for reference only.
Drilling of pilot holes are to be done by fabricator.)

THIS DRAWING WAS CREATED AT NO CHARGE TO ASSIST YOU IN VISUALIZING OUR PROPOSAL. THE DRAWING HEREIN IS THE PROPERTY OF SIGNCOMP. PERMISSION TO COPY OR REVISE THIS DRAWING OR TO USE THIS DRAWING FOR PRODUCTION IS STRICTLY PROHIBITED AND CAN ONLY BE COPIED, REVISED OR USED FOR PRODUCTION WITH THE EXPRESSED WRITTEN PERMISSION OF SIGNCOMP.

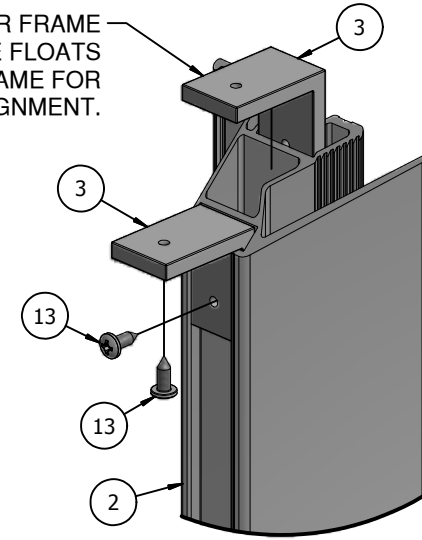
DRAWING BY:	SBreihof	8/13/2013	SignComp
Centroid X:	0.000 in		
Centroid Y:	0.000 in		TITLE
Principal Moments Ix:	0.000 in ⁴		Flat Double Face Medium Body - Assembly
Principal Moments Iy:	0.000 in ⁴		PART NO
Section Modulus Ix:	0.000 in ³		K2007
Section Modulus Iy:	0.000 in ³		REV
			SHEET 1 OF 1

ITEM	PART #	DESCRIPTION	NOTES
1	2107	Flat Bleed Retro Frame II	Top & Bottom
2	2107	Flat Bleed Retro Frame II	Sides
3	5305	Frame Corner Angle	Two (2) per corner
13	5218	Corner Angle Screw	#10 x 1/2" pan head tapping

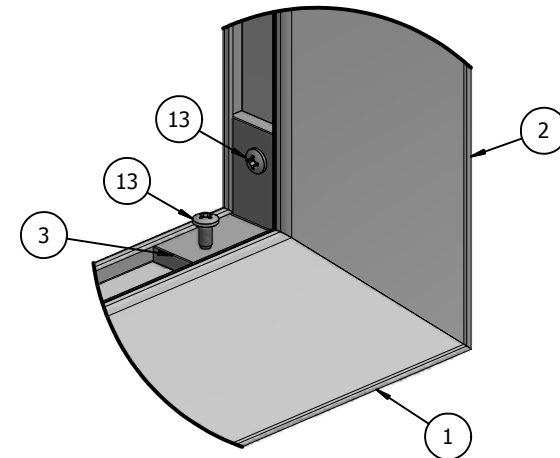
Ship To:
Sales Order #



THE OUTER FRAME
CORNER ANGLE FLOATS
IN THE FRAME FOR
ALIGNMENT.



DETAIL A



DETAIL B

NOTE: PRE-CUT KITS ARE NOT PRE-DRILLED.

(Holes shown in this drawing are for reference only.
Drilling of pilot holes are to be done by fabricator.)

THIS DRAWING WAS CREATED AT NO CHARGE TO ASSIST YOU IN VISUALIZING OUR PROPOSAL. THE DRAWING HEREIN IS THE PROPERTY OF SIGNCOMP. PERMISSION TO COPY OR REVISE THIS DRAWING OR TO USE THIS DRAWING FOR PRODUCTION IS STRICTLY PROHIBITED AND CAN ONLY BE COPIED, REVISED OR USED FOR PRODUCTION WITH THE EXPRESSED WRITTEN PERMISSION OF SIGNCOMP.

Part Name: Flat Bleed Retro Frame II - Assembly

Part Number: K2107

Revision:

Date: 1/30/2015

Drawing By: SBreihof

Sheet: 1 of 1

Size: A

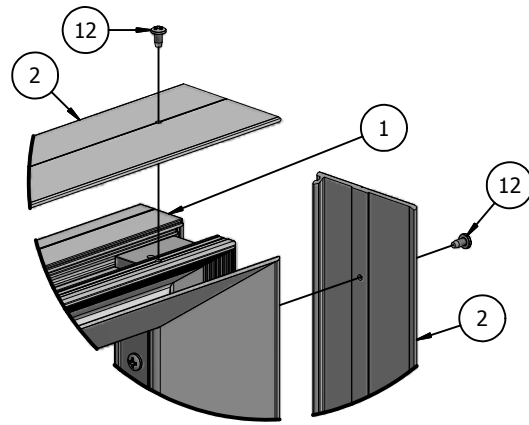
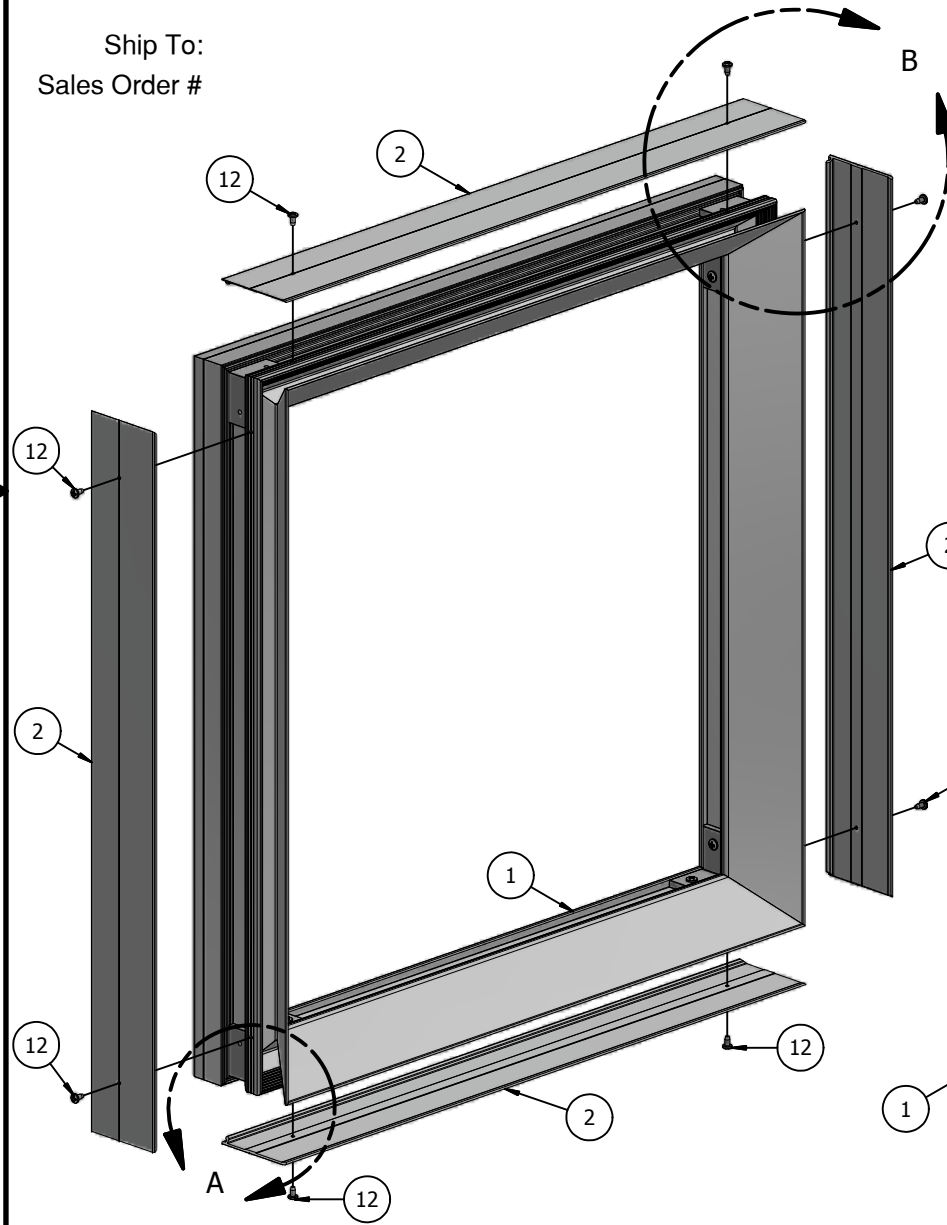
SignComp

ITEM	PART #	DESCRIPTION	NOTES
1	2107	Flat Bleed Retro Frame II	Assembly
2	2121	Flat Bleed Retro Cover	All Sides
12	5195	Cover Screw	#8x5/16" Pre-drill 1/8" hole

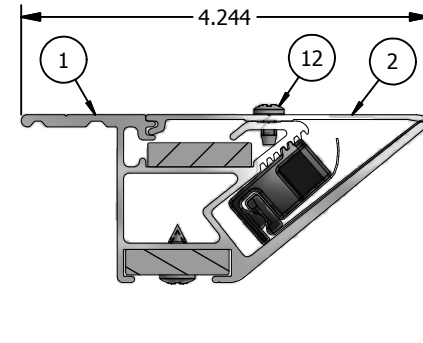
NOTE: PRE-CUT KITS ARE NOT PRE-DRILLED.

(Holes shown in this drawing are for reference only.
Drilling of pilot holes are to be done by fabricator.)

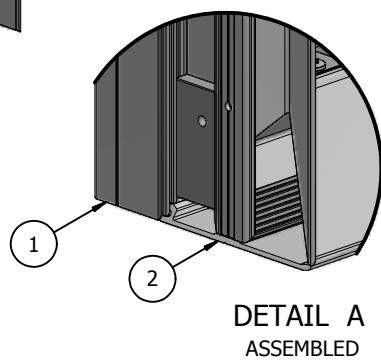
Ship To:
Sales Order #



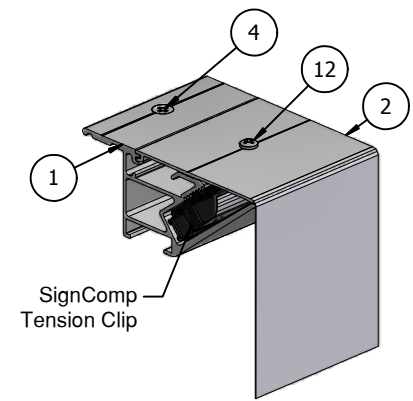
DETAIL B



ASSEMBLY CROSS-SECTION



DETAIL A
ASSEMBLED



SignComp
Tension Clip

THIS DRAWING WAS CREATED AT NO CHARGE TO ASSIST YOU IN VISUALIZING OUR PROPOSAL. THE DRAWING HEREIN IS THE PROPERTY OF SIGNCOMP. PERMISSION TO COPY OR REVISE THIS DRAWING OR TO USE THIS DRAWING FOR PRODUCTION IS STRICTLY PROHIBITED AND CAN ONLY BE COPIED, REVISED OR USED FOR PRODUCTION WITH THE EXPRESSED WRITTEN PERMISSION OF SIGNCOMP.

Part Name:	Flat Bleed Retro Frame II/Bleed Cover - Assembly	Sheet:	1 of 1	Size:	A
Part Number:	K2107-21	Revision:		Drawing By:	SBreihof
		Date:	1/30/2015		

SignComp

2

1

2

1