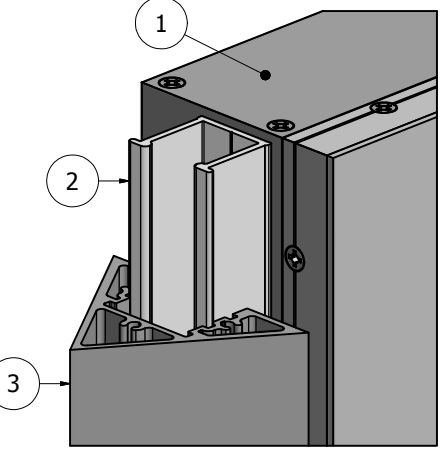
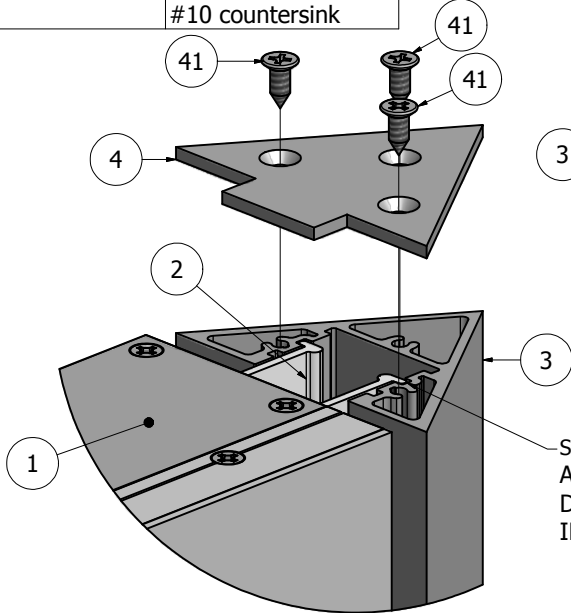
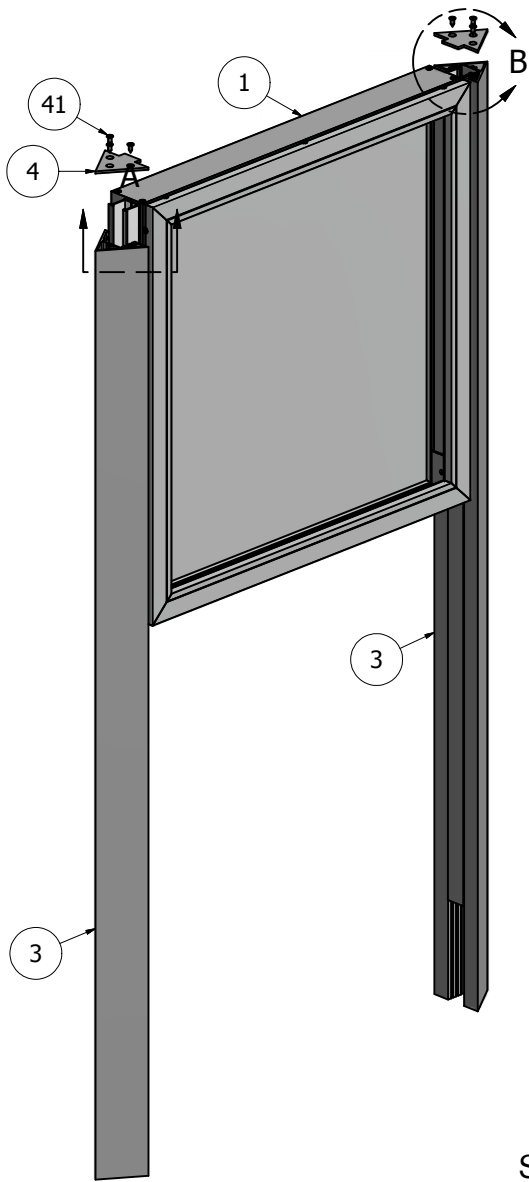
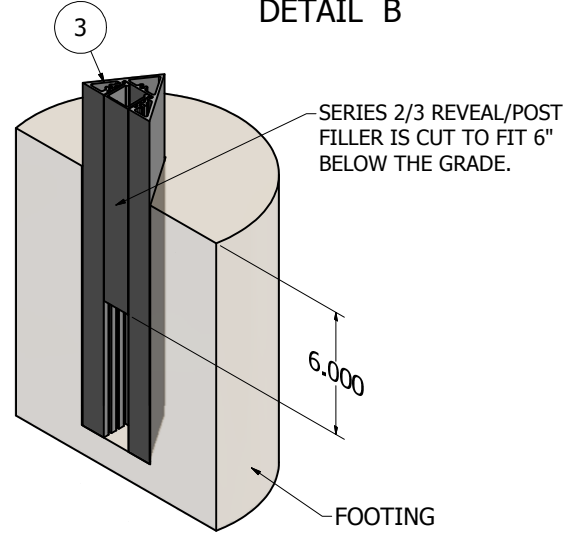


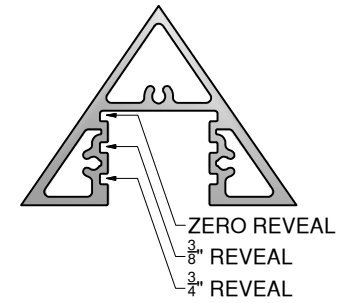
PARTS LIST			
ITEM	PART #	DESCRIPTION	NOTES
1	K1291/93	Series 3 Single Face Access Body/Frameless Cover	Assembly
2	1200	Series 2/3 Reveal	Attaches to the Body
3	K1240	Series 3 Triangular Post	Assembly
4	Post Cap	Series 3 Triangular Post Cap	Zero Reveal #5015, 3/8" Reveal #5016, 3/4" Reveal #5017
41	5040	Cap Screw	#10 countersink



SLIDE THE BODY/CABINET ASSEMBLY INTO THE DESIRED REVEAL POSITION IN THE POST.



REVEAL SETTING OPTIONS



**NOTE: PRE-CUT KITS ARE NOT PRE-DRILLED.**

(Holes shown in this drawing are for reference only. Drilling of pilot holes are to be done by fabricator.)

THIS DRAWING WAS CREATED AT NO CHARGE TO ASSIST YOU IN VISUALIZING OUR PROPOSAL. THE DRAWING HEREIN IS THE PROPERTY OF SIGNCOMP. PERMISSION TO COPY OR REVISE THIS DRAWING OR TO USE THIS DRAWING FOR PRODUCTION IS STRICTLY PROHIBITED AND CAN ONLY BE COPIED, REVISED OR USED FOR PRODUCTION WITH THE EXPRESSED WRITTEN PERMISSION OF SIGNCOMP.

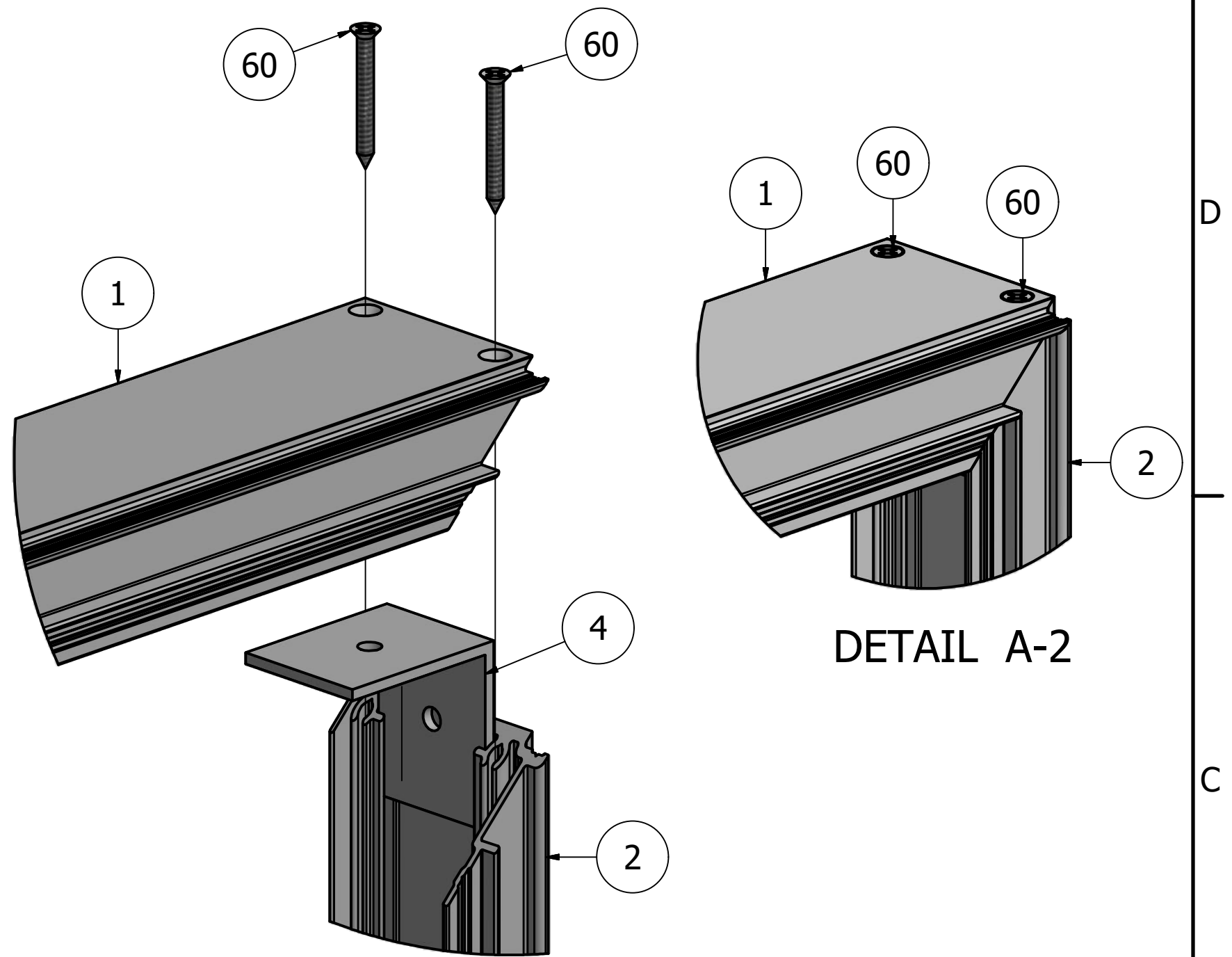
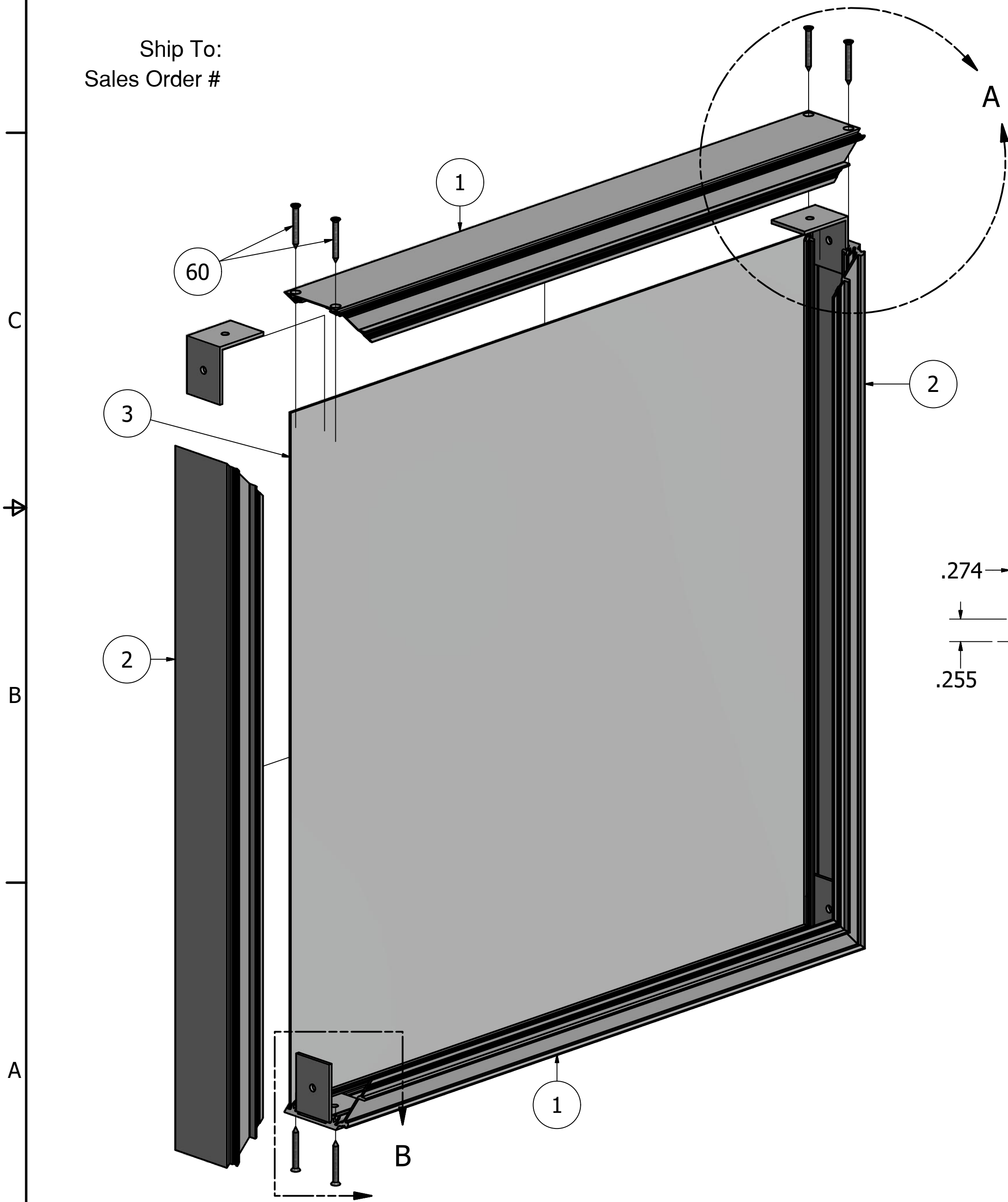
DRAWING BY:	SBreihof	5/1/2013
Centroid X:	0.000 in	
Centroid Y:	0.000 in	
Principal Moments Ix:	0.000 in <sup>4</sup>	
Principal Moments Iy:	0.000 in <sup>4</sup>	
Section Modulus Ix:	0.000 in <sup>3</sup>	
Section Modulus Iy:	0.000 in <sup>3</sup>	

<b>SignComp</b>	
TITLE	
Series 3 Single Face Access Body - Frameless Cover - Series 3 Triangular Post - Assembly	
PART NO	REV
<b>1291-93-40</b>	
SHEET 1 OF 1	

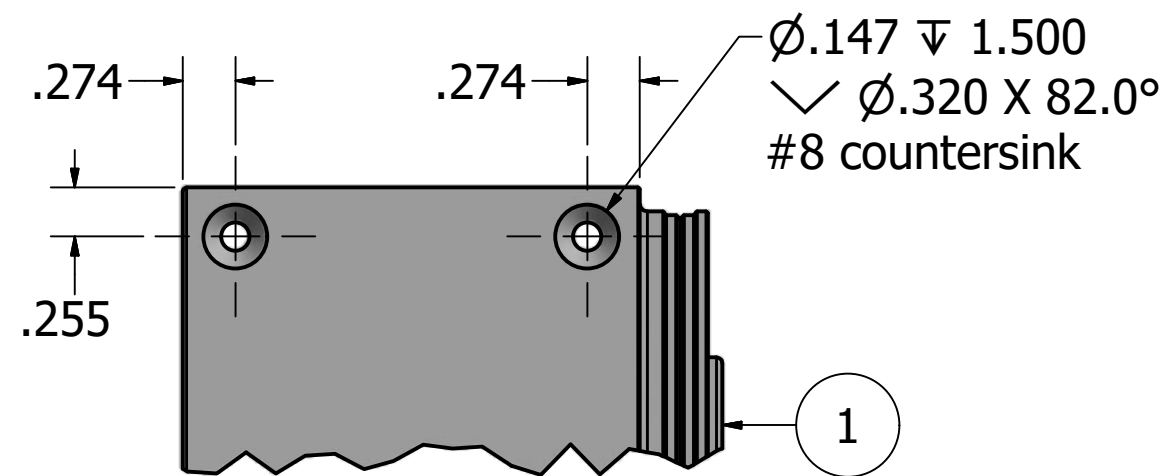
Ship To:  
Sales Order #

PARTS LIST			
ITEM	PART#	DESCRIPTION	NOTES
1	1291	Series 3 Single Face Access Body	Top & Bottom
2	1291	Series 3 Single Face Access Body	Sides
3	Back Panel	.063 Aluminum Back Panel	By Other
4	5338	Series 3 Single Face Access Body Corner Angle	One (1) per body corner
60	5270	Access body Corner Screw	See hole detail

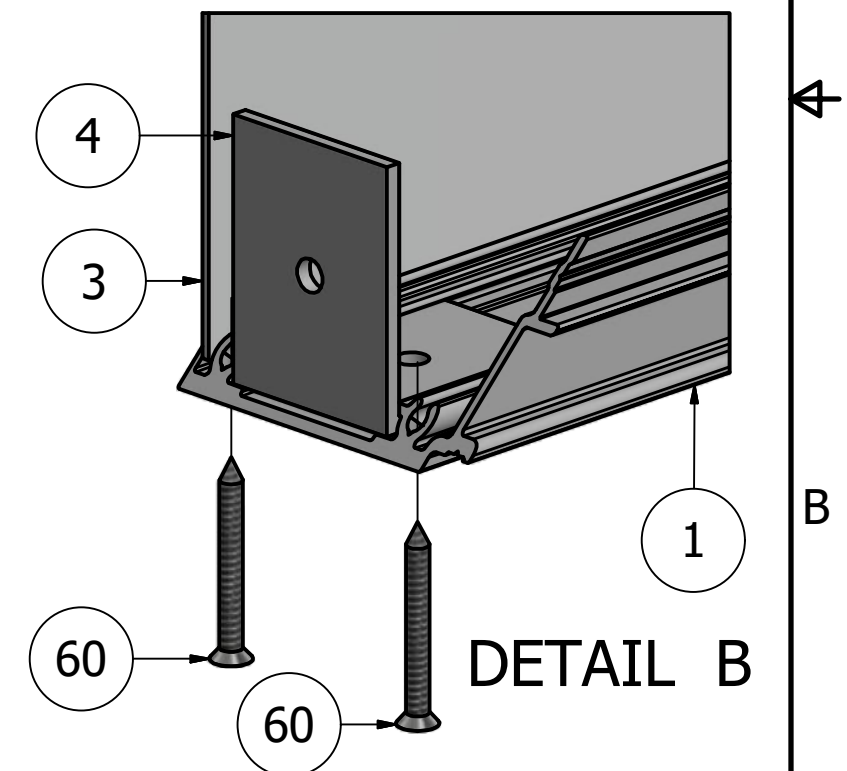
Ship To:  
Sales Order #



DETAIL A-1



HOLE DETAIL  
DRILLED BY OTHER



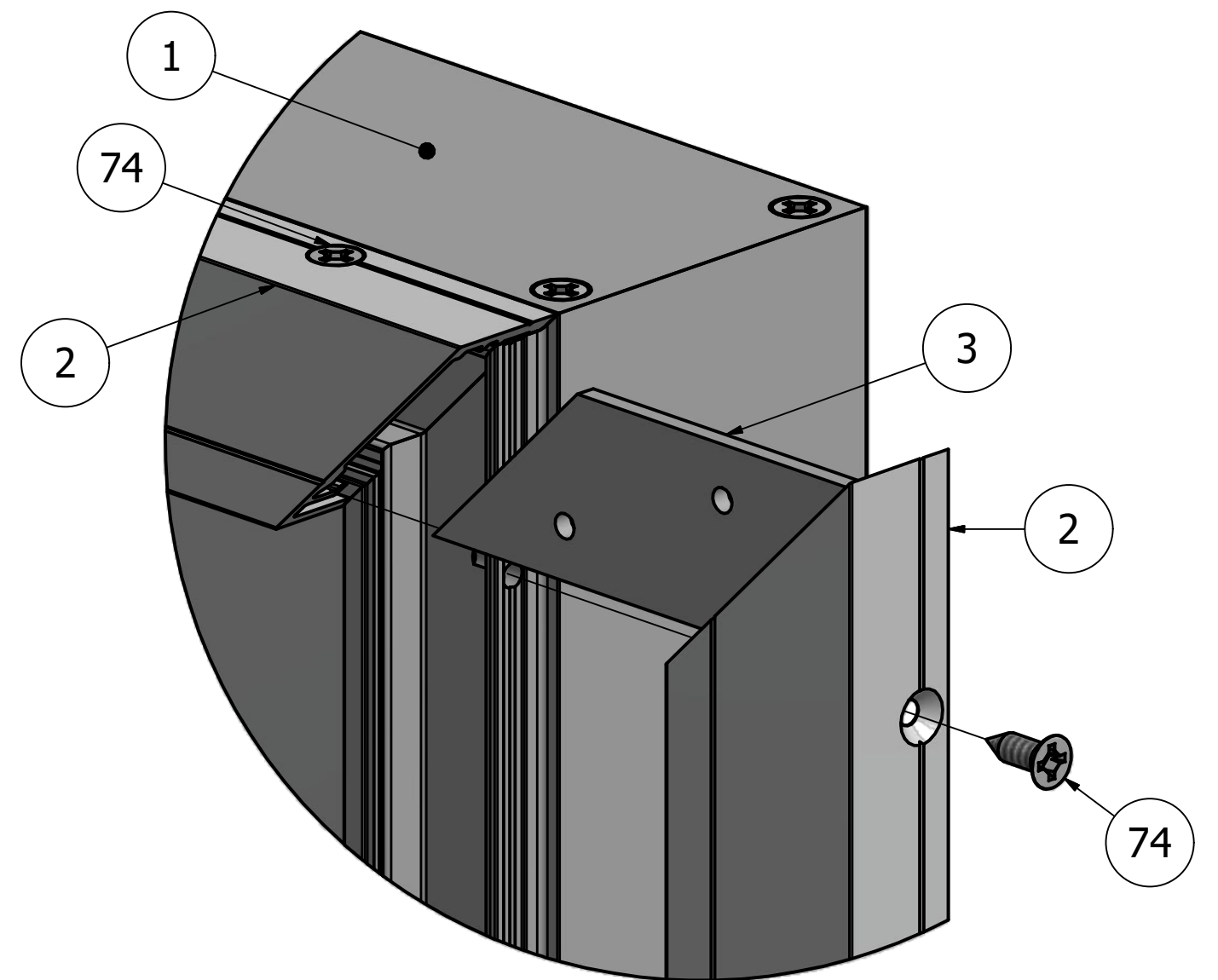
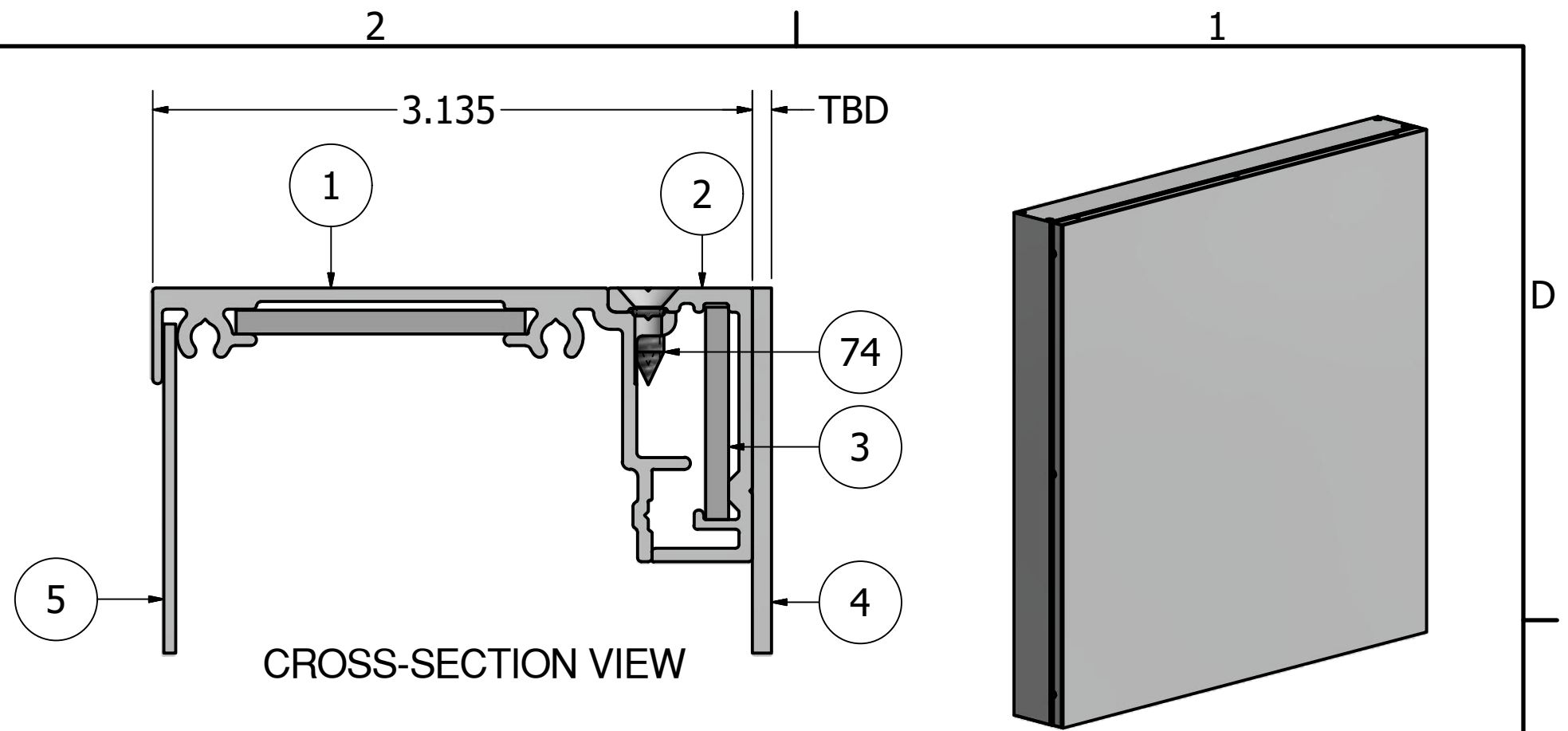
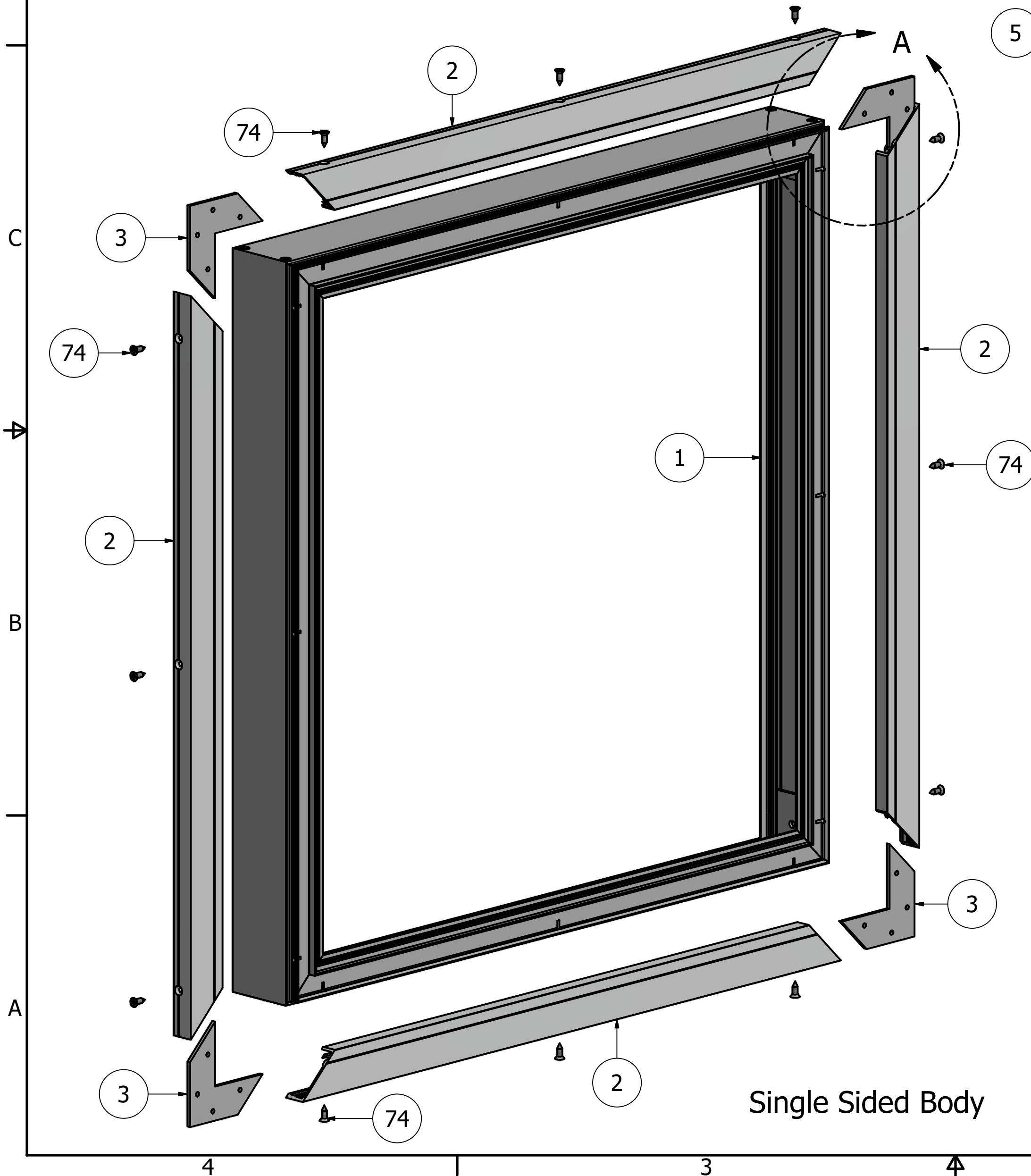
DETAIL B

**NOTE: PRE-CUT KITS ARE NOT PRE-DRILLED.**  
(Holes shown in this drawing are for reference only.  
Drilling of pilot holes are to be done by fabricator.)

THIS DRAWING WAS CREATED AT NO CHARGE TO ASSIST YOU IN VISUALIZING OUR PROPOSAL. THE DRAWING HEREIN IS THE PROPERTY OF SIGNCOMP. PERMISSION TO COPY OR REVISE THIS DRAWING OR TO USE THIS DRAWING FOR PRODUCTION IS STRICTLY PROHIBITED AND CAN ONLY BE COPIED, REVISED OR USED FOR PRODUCTION WITH THE EXPRESSED WRITTEN PERMISSION OF SIGNCOMP.			<h1>SignComp</h1>	
DRAWN	SBreihof	9/6/2012		
	Centroid X:	0.000 in		
	Centroid Y:	0.000 in		
	Principal Moments Ix:	0.000 in <sup>4</sup>		
	Principal Moments Iy:	0.000 in <sup>4</sup>		
	Section Modulus Ix:	0.000 in <sup>3</sup>	DWG NO	<b>K1291</b>
	Section Modulus Iy:	0.000 in <sup>3</sup>		REV
			SHEET 1 OF 1	

PARTS LIST			
ITEM	PART #	DESCRIPTION	NOTES
1	K1291	Series 3 Single Face Access Body	Assembly
2	1693	Frameless Cover	Attaches to all sides
3	5210	Corner Key	
4		Aluminum Face	Routers off flush to the Cover - By Other
74	5168	Frameless Cover Screw	#8 countersink

Ship To:  
Sales Order #

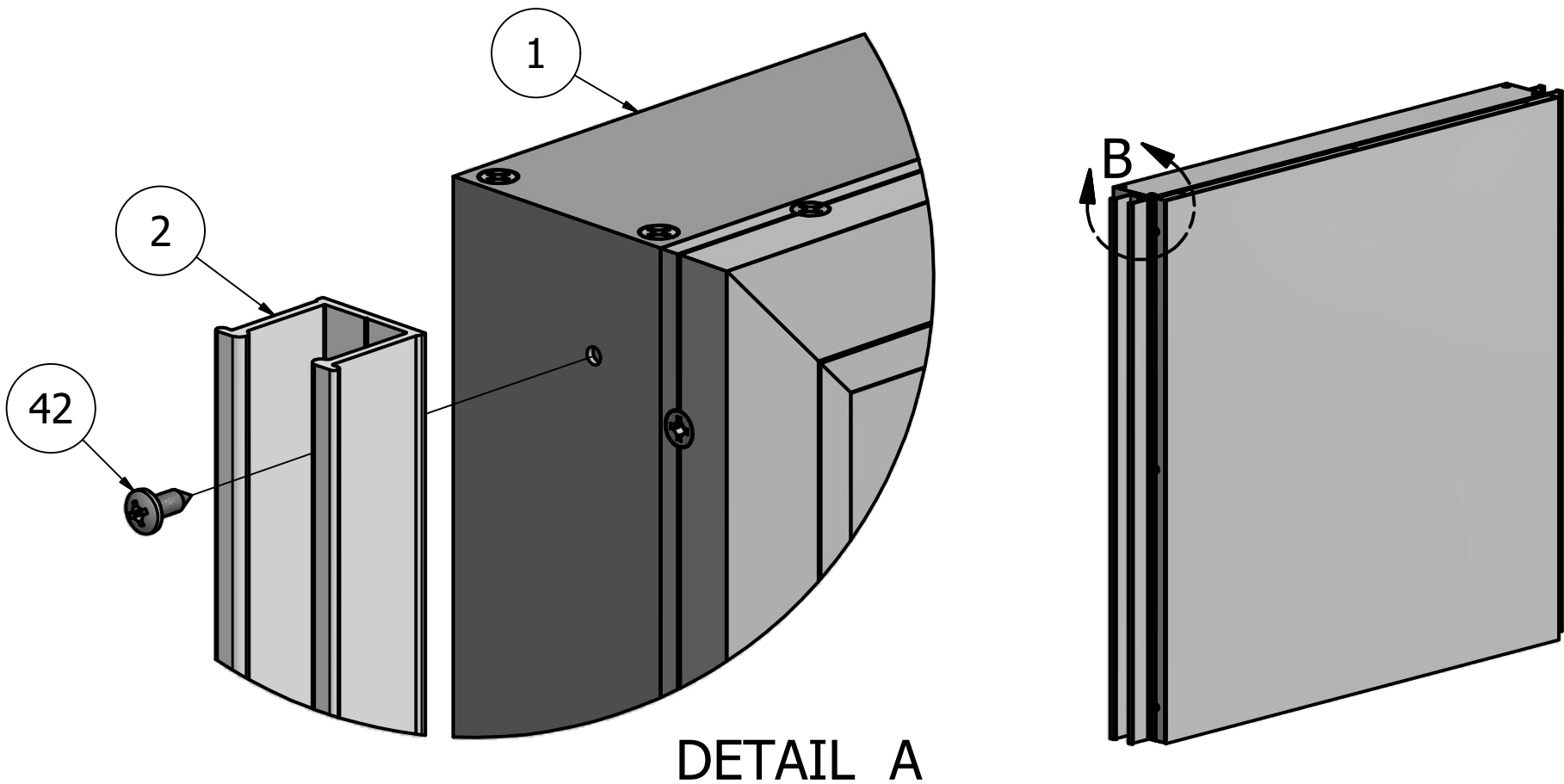
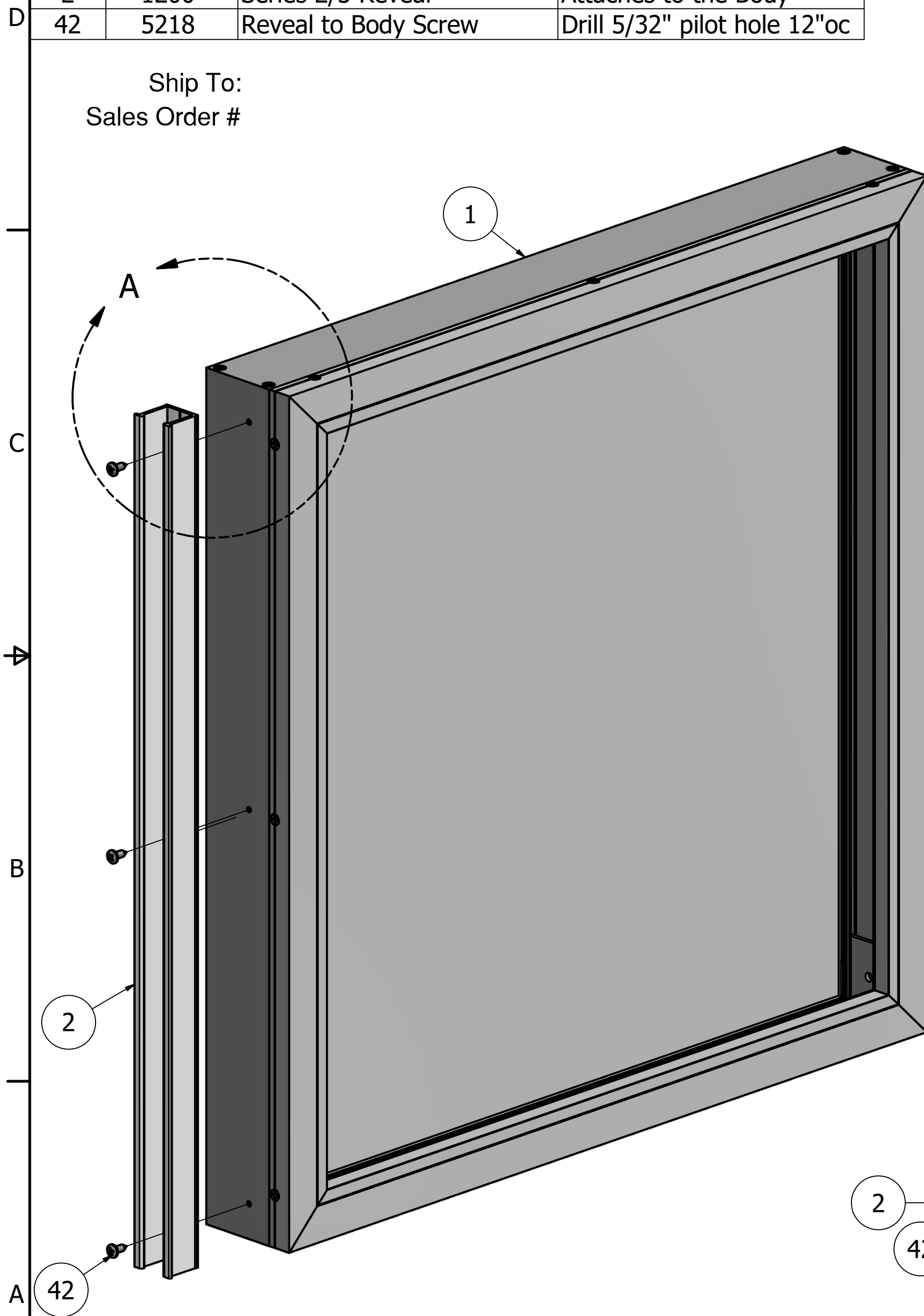


**NOTE: PRE-CUT KITS ARE NOT PRE-DRILLED.**  
(Holes shown in this drawing are for reference only.  
Drilling of pilot holes are to be done by fabricator.)

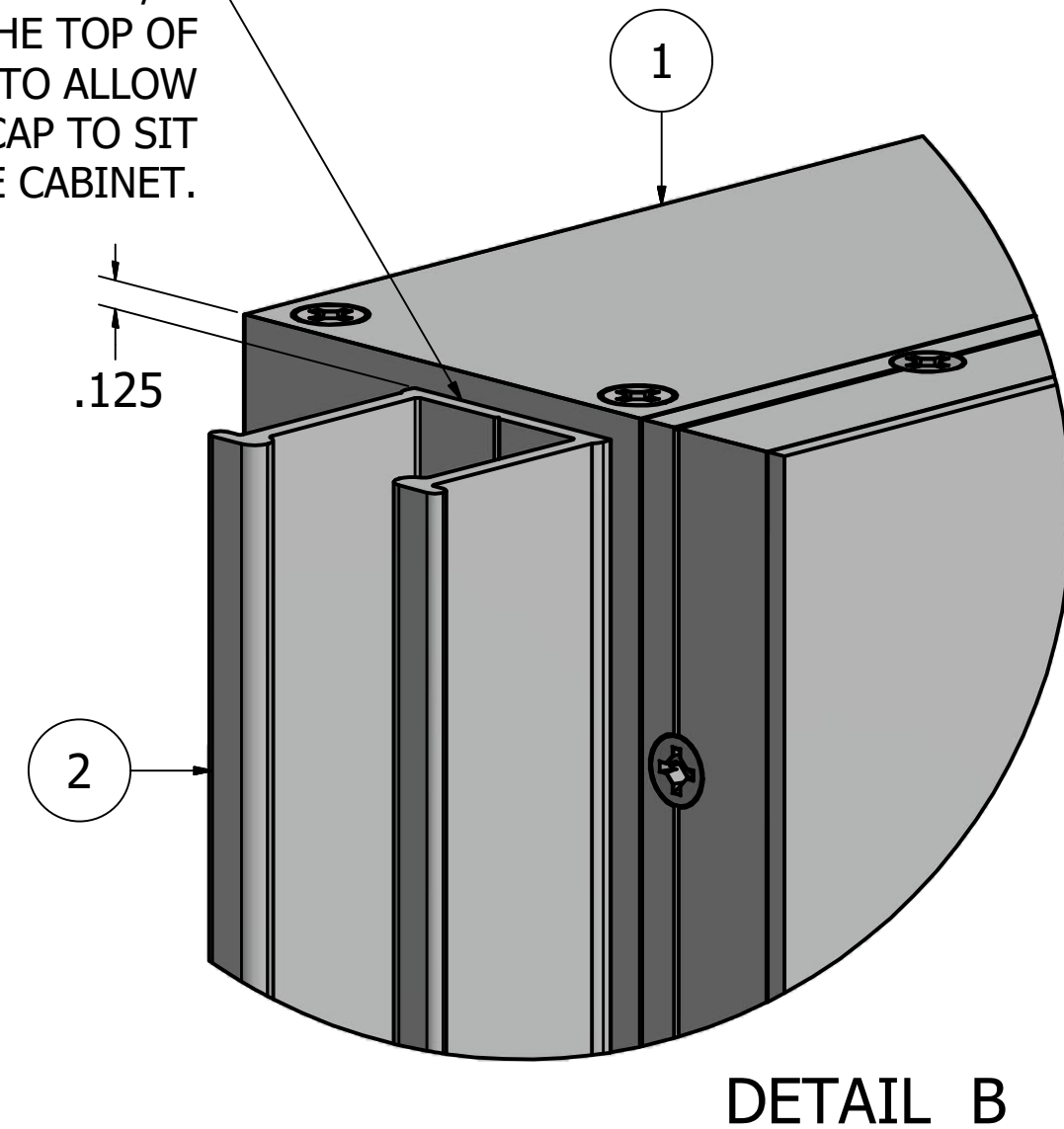
THIS DRAWING WAS CREATED AT NO CHARGE TO ASSIST YOU IN VISUALIZING OUR PROPOSAL. THE DRAWING HEREIN IS THE PROPERTY OF SIGNCOMP. PERMISSION TO COPY OR REVISE THIS DRAWING OR TO USE THIS DRAWING FOR PRODUCTION IS STRICTLY PROHIBITED AND CAN ONLY BE COPIED, REVISED OR USED FOR PRODUCTION WITH THE EXPRESSED WRITTEN PERMISSION OF SIGNCOMP.			
DRAWING BY:	SBreihof	5/1/2013	
Centroid X:	0.000 in	TITLE	
Centroid Y:	0.000 in		
Principal Moments Ix:	0.000 in <sup>4</sup>	Series 3 Single Face Access Body - Frameless Cover	
Principal Moments Iy:	0.000 in <sup>4</sup>		
Section Modulus Ix:	0.000 in <sup>3</sup>	PART NO	REV
Section Modulus Iy:	0.000 in <sup>3</sup>	<b>1291-93</b>	
			SHEET 1 OF 1

PARTS LIST			
ITEM	PART #	DESCRIPTION	NOTES
1	K1291/93	Series 3 Single Face Access Body/Frameless Cover	Assembly
2	1200	Series 2/3 Reveal	Attaches to the Body
42	5218	Reveal to Body Screw	Drill 5/32" pilot hole 12"oc

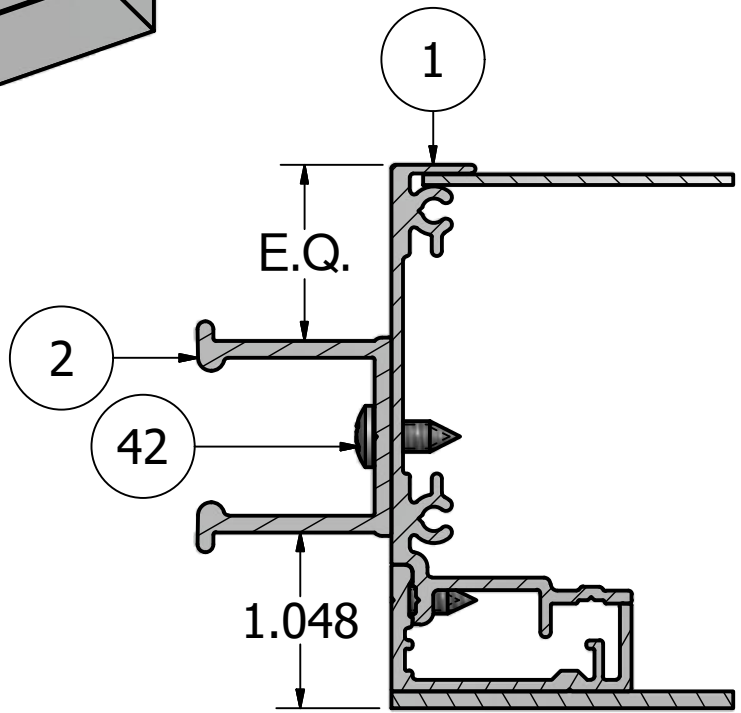
Ship To:  
Sales Order #



REVEAL IS FASTENED 1/8" DOWN FROM THE TOP OF THE CABINET TO ALLOW FOR THE POST CAP TO SIT FLUSH TO THE CABINET.



**NOTE: PRE-CUT KITS ARE NOT PRE-DRILLED.**  
(Holes shown in this drawing are for reference only. Drilling of pilot holes are to be done by fabricator.)

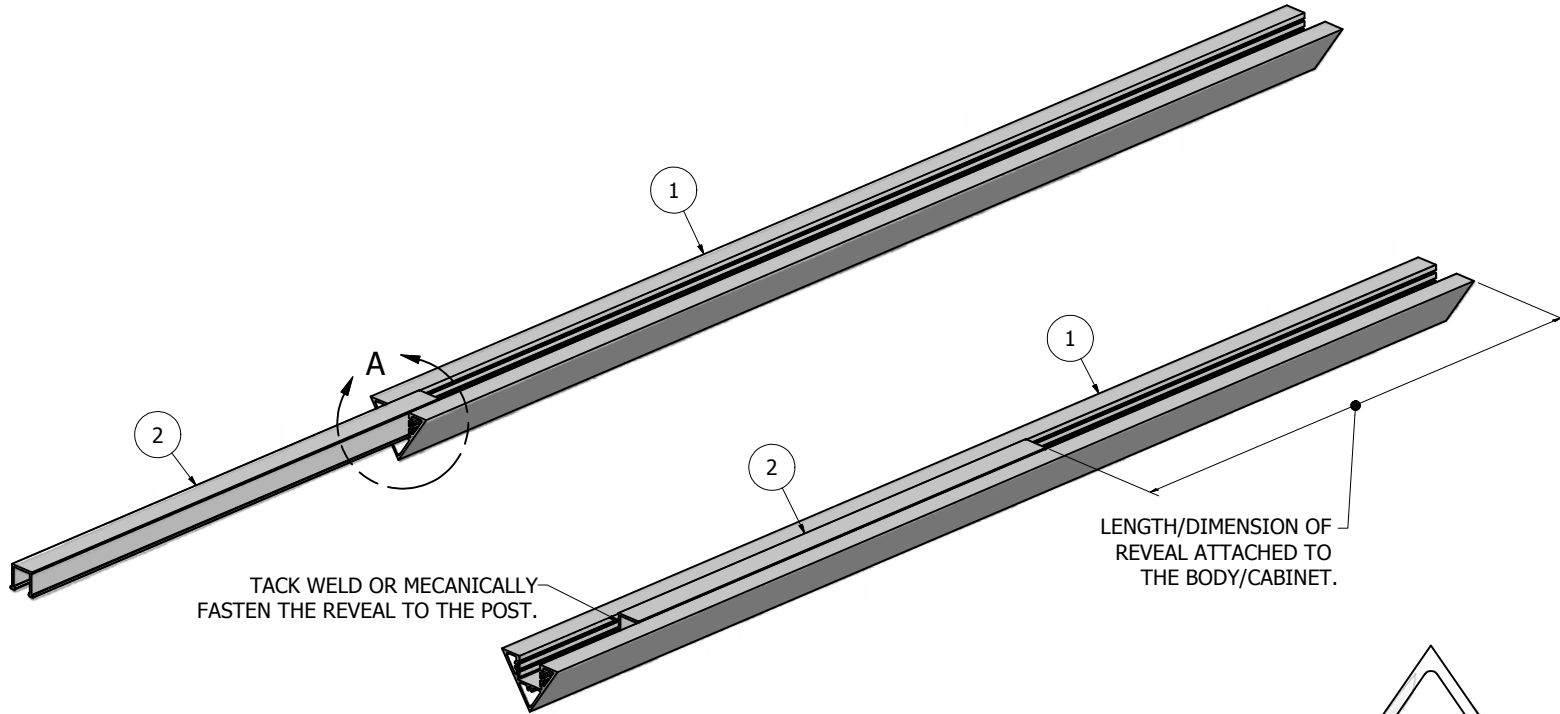


VERTICAL SECTION VIEW

THIS DRAWING WAS CREATED AT NO CHARGE TO ASSIST YOU IN VISUALIZING OUR PROPOSAL. THE DRAWING HEREIN IS THE PROPERTY OF SIGNCOMP. PERMISSION TO COPY OR REVISE THIS DRAWING OR TO USE THIS DRAWING FOR PRODUCTION IS STRICTLY PROHIBITED AND CAN ONLY BE COPIED, REVISED OR USED FOR PRODUCTION WITH THE EXPRESSED WRITTEN PERMISSION OF SIGNCOMP.

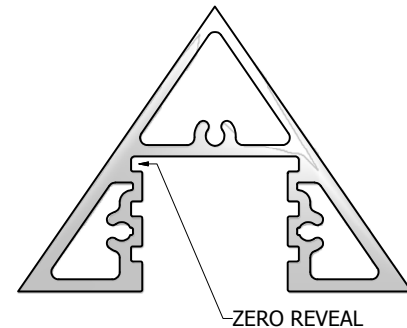
DRAWING BY:	SBreihof	5/1/2013	<b>SignComp</b>
Centroid X:	0.000 in	TITLE	
Centroid Y:	0.000 in	Series 3 Single Face Access Body - Frameless Cover - Series 2/3 Reveal	
Principal Moments Ix:	0.000 in <sup>4</sup>	PART NO	REV
Principal Moments Iy:	0.000 in <sup>4</sup>	<b>1291-93-00</b>	
Section Modulus Ix:	0.000 in <sup>3</sup>	SHEET 1 OF 1	
Section Modulus Iy:	0.000 in <sup>3</sup>		

Parts List			
ITEM	PART #	DESCRIPTION	NOTES
1	1240	Series 3, 3-1/4" Triangular Post	
2	1200	Series 2/3 Reveal	Tack weld or mechanically fasten to post

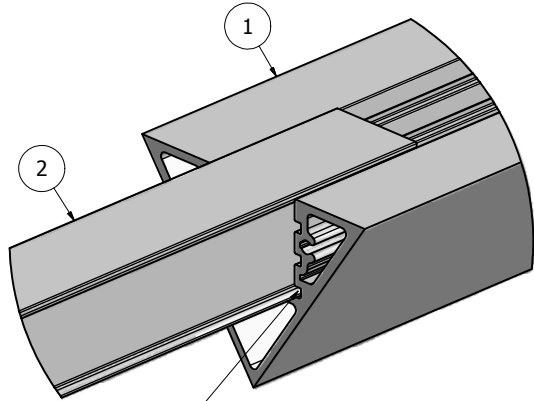


TACK WELD OR MECANICALLY FASTEN THE REVEAL TO THE POST.

LENGTH/DIMENSION OF REVEAL ATTACHED TO THE BODY/CABINET.



**NOTE: PRE-CUT KITS ARE NOT PRE-DRILLED.**  
 (Holes shown in this drawing are for reference only. Drilling of pilot holes are to be done by fabricator.)



INSERT THE REVEAL/FILLER INTO THE ZERO REVEAL POSTION. SLIDED IT UP INTO THE POST.

DETAIL A

Ship To:

Order Number:

THIS DRAWING WAS CREATED AT NO CHARGE TO ASSIST YOU IN VISUALIZING OUR PROPOSAL. THE DRAWING HEREIN IS THE PROPERTY OF SIGNCOMP. PERMISSION TO COPY OR REVISE THIS DRAWING OR TO USE THIS DRAWING FOR PRODUCTION IS STRICTLY PROHIBITED AND CAN ONLY BE COPIED, REVISED OR USED FOR PRODUCTION WITH THE EXPRESSED WRITTEN PERMISSION OF SIGNCOMP.			
DRAWN	4/20/2010	<div style="text-align: center;"><b>SignComp</b></div>	
CHECKED			
QA			
MFG			
APPROVED			
TITLE		Series 3, 3-1/4" Triangular Post - Series 2/3 Reveal - Assembly	
SIZE	C	DWG NO	1240-00
SCALE			REV
			SHEET 1 OF 1