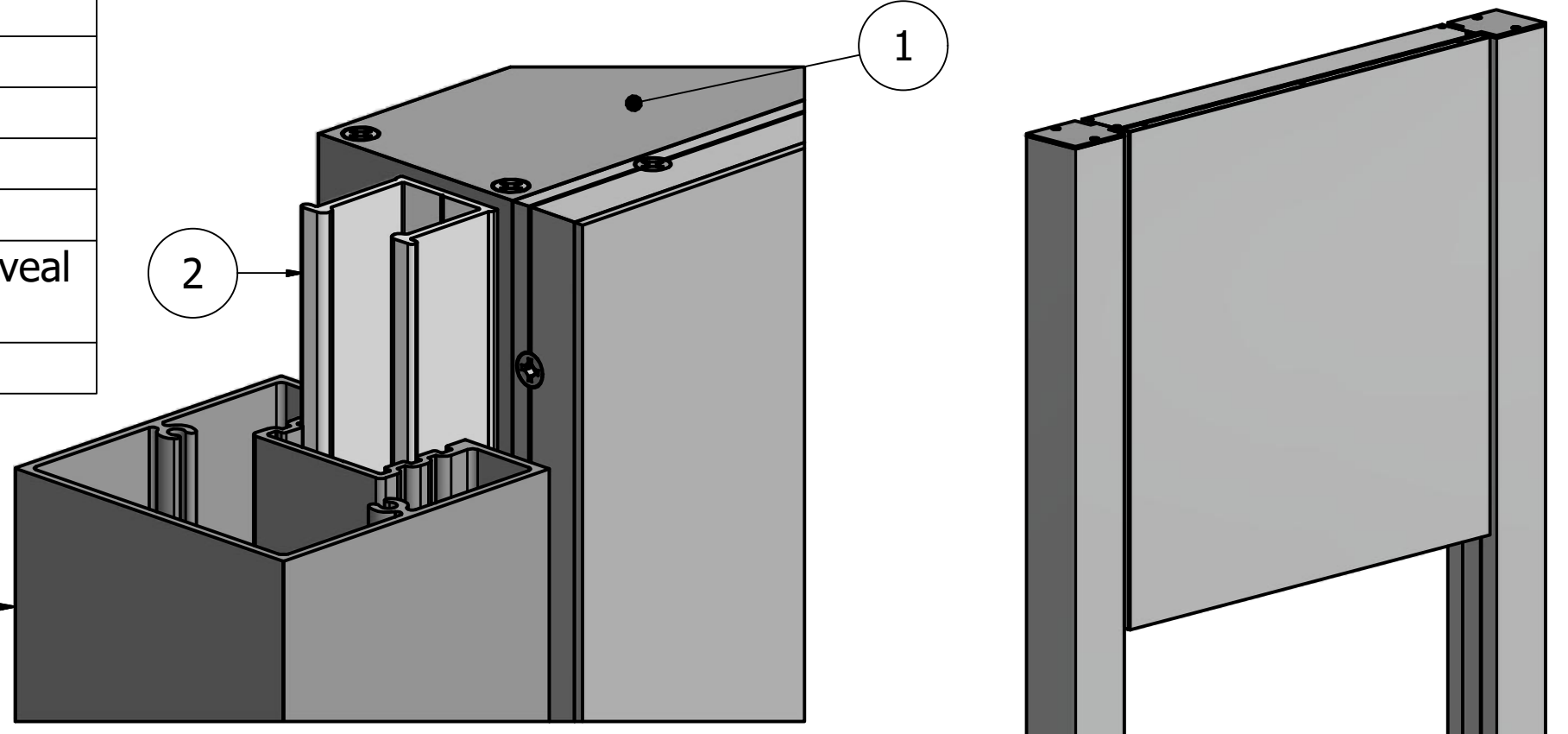
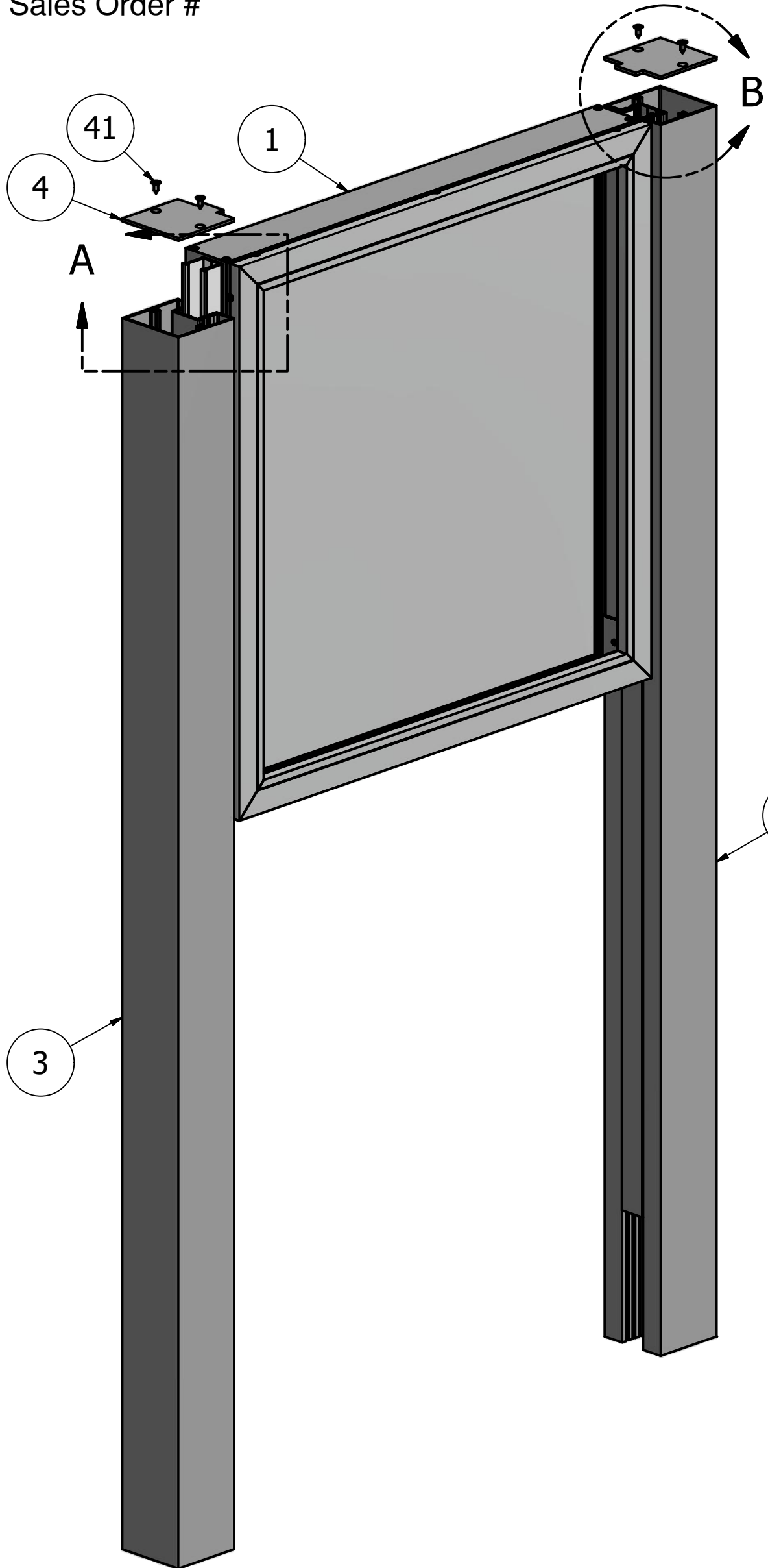
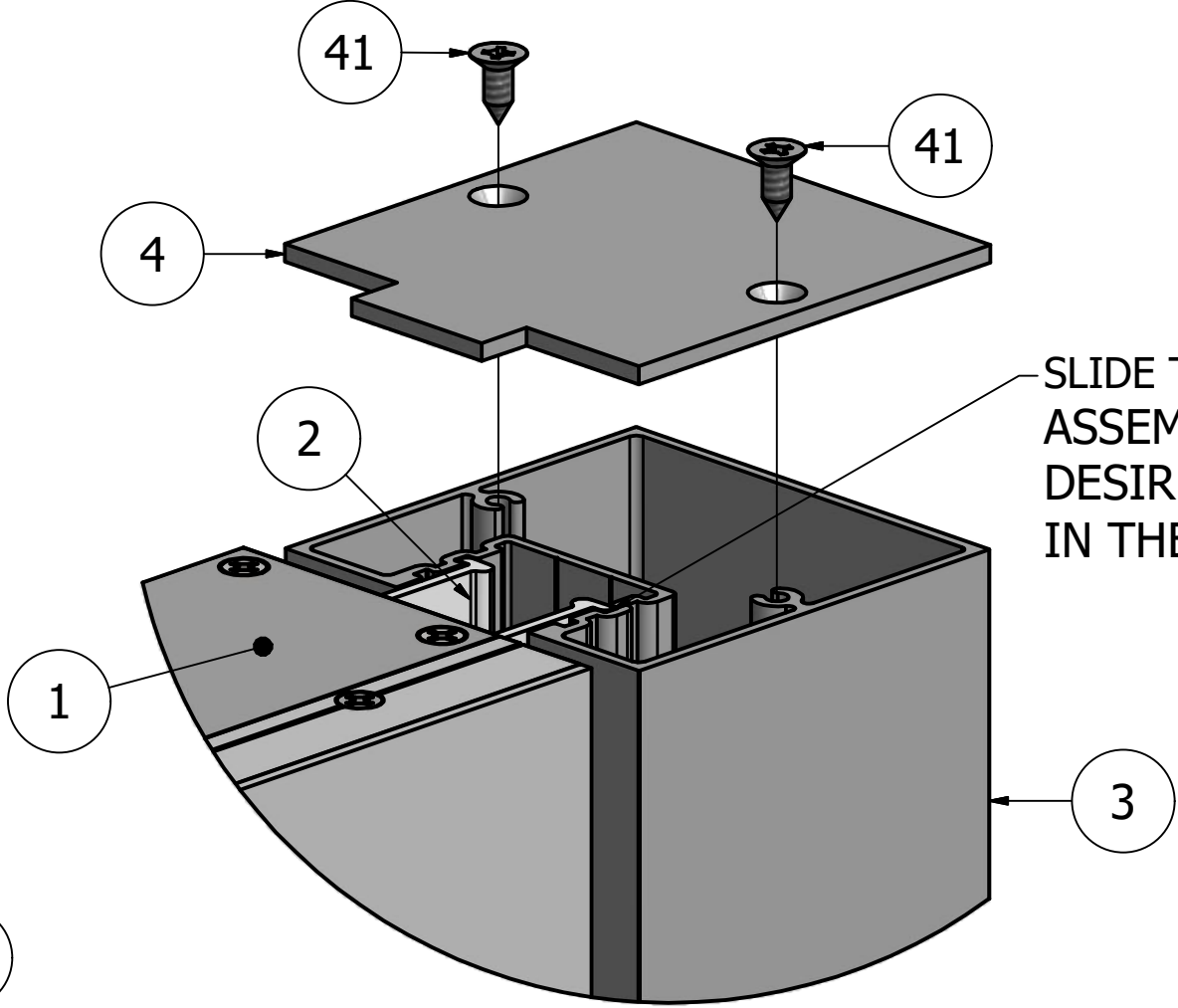


PARTS LIST			
ITEM	PART #	DESCRIPTION	NOTES
1	K1291/93	Series 3 Single Face Access Body/Frameless Cover	Assembly
2	1200	Series 2/3 Reveal	Attaches to the Body
3	K1233	Series 3 Square Post	Assembly
4	Post Cap	Series 3 Square Post Cap	Zero Reveal #5405, 3/8" Reveal #5406, 3/4" Reveal #5407
41	5040	Cap Screw	#10 countersink

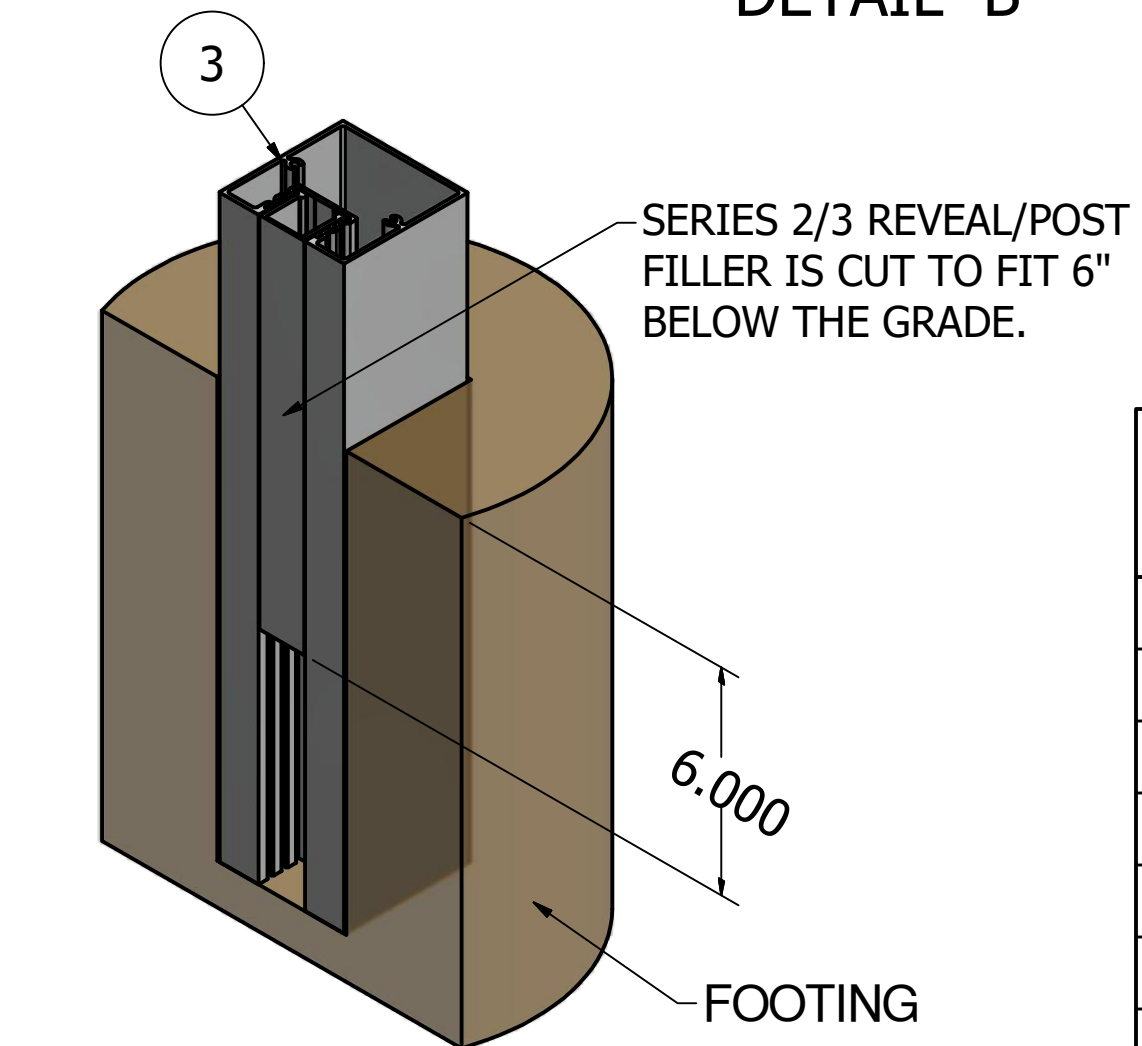
Ship To:
Sales Order #



DETAIL A

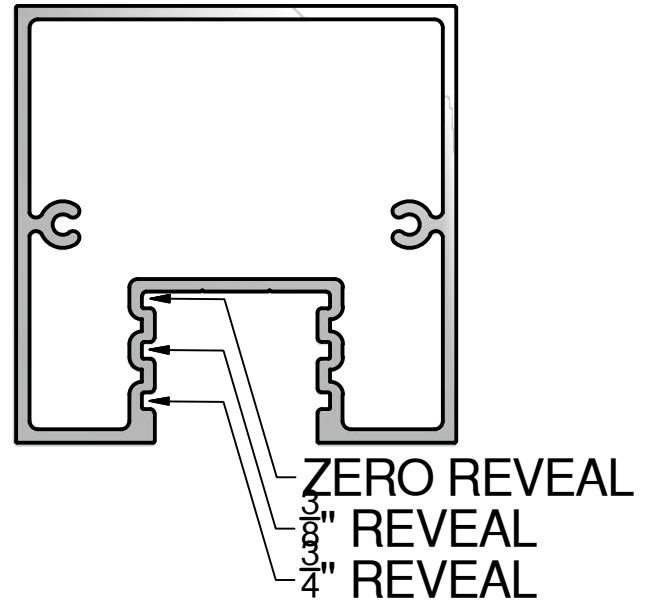


DETAIL B



SLIDE THE BODY/CABINET ASSEMBLY INTO THE DESIRED REVEAL POSITION IN THE POST.

REVEAL SETTING OPTIONS



NOTE: PRE-CUT KITS ARE NOT PRE-DRILLED.
(Holes shown in this drawing are for reference only. Drilling of pilot holes are to be done by fabricator.)

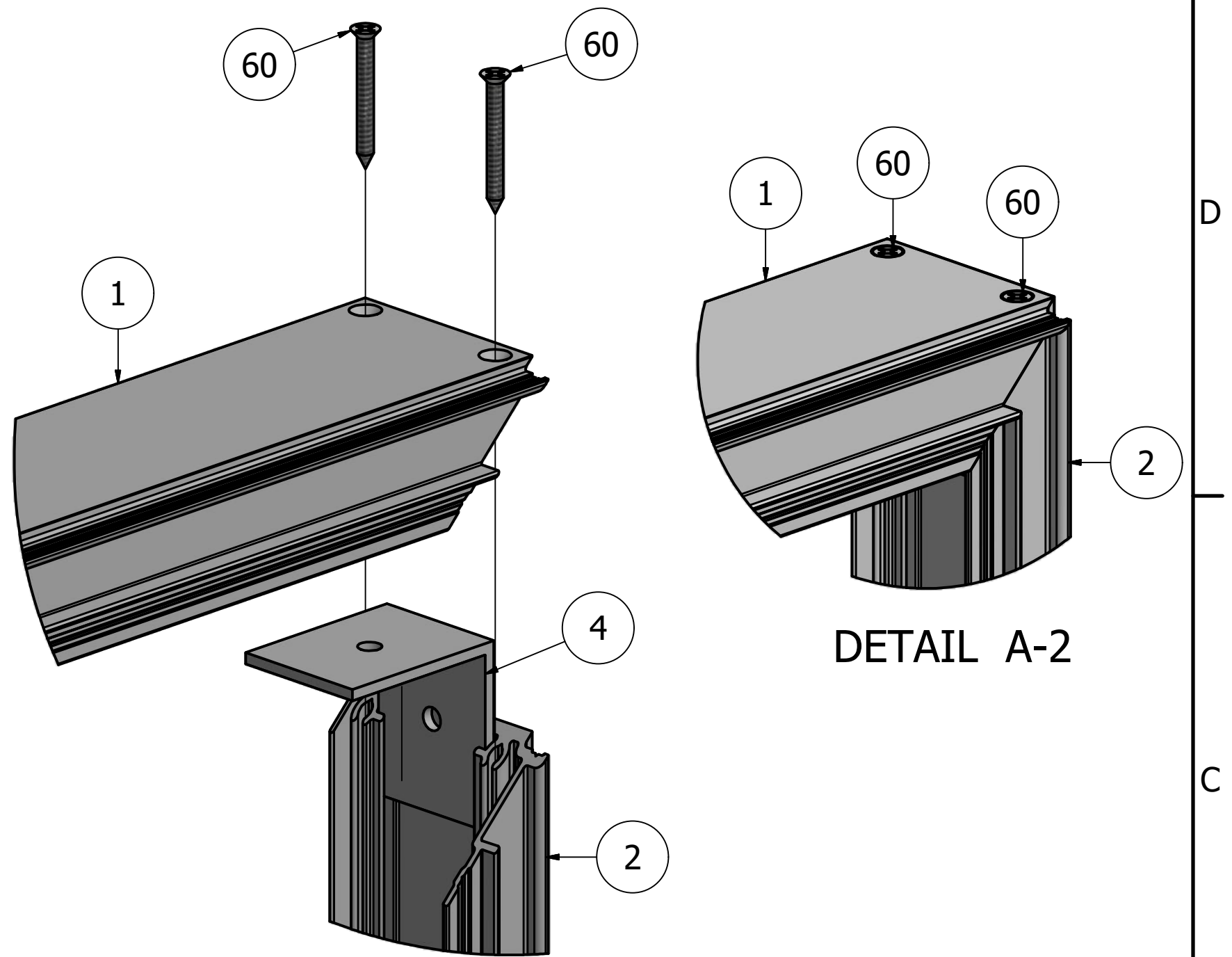
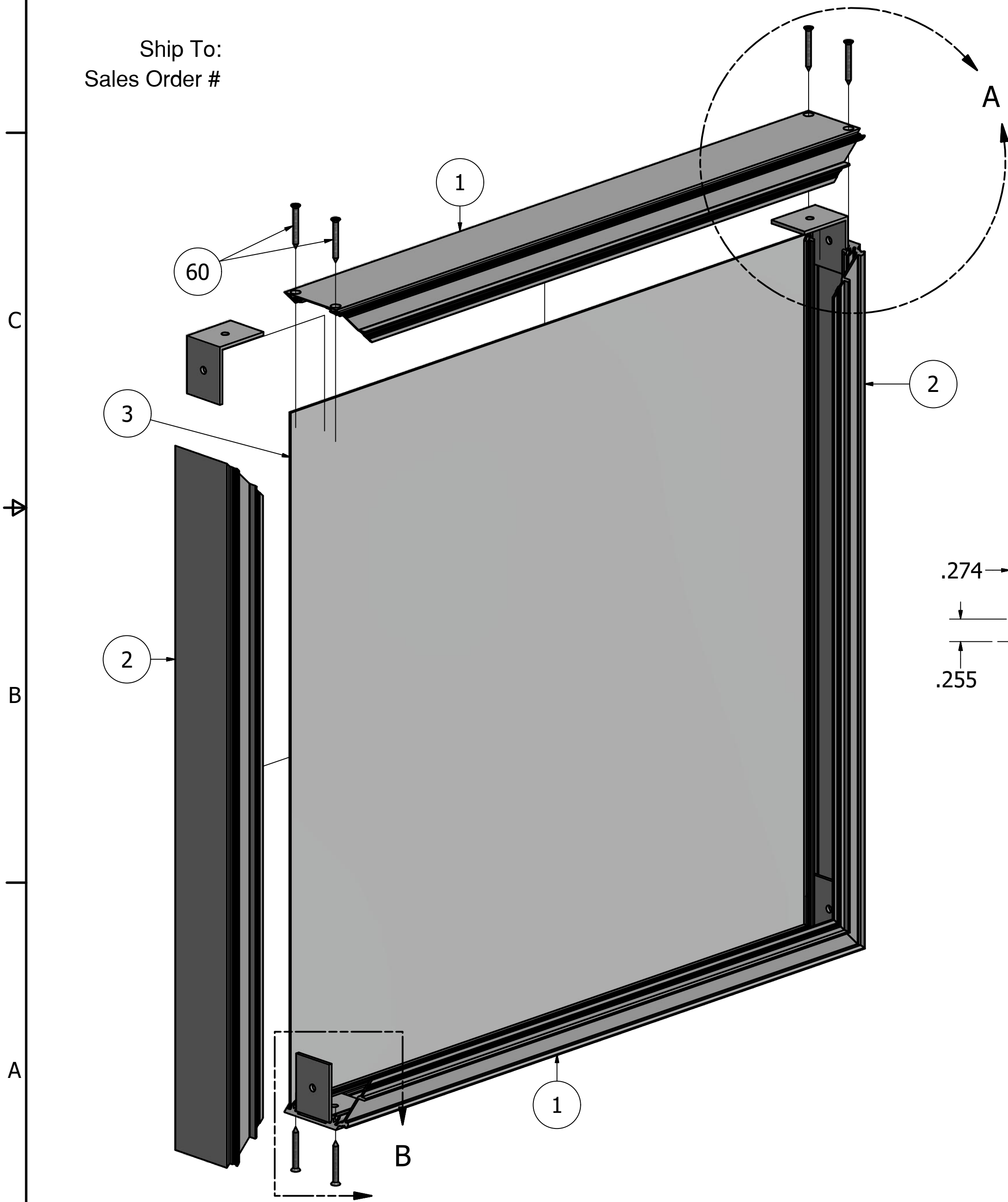
THIS DRAWING WAS CREATED AT NO CHARGE TO ASSIST YOU IN VISUALIZING OUR PROPOSAL. THE DRAWING HEREIN IS THE PROPERTY OF SIGNCOMP. PERMISSION TO COPY OR REVISE THIS DRAWING OR TO USE THIS DRAWING FOR PRODUCTION IS STRICTLY PROHIBITED AND CAN ONLY BE COPIED, REVISED OR USED FOR PRODUCTION WITH THE EXPRESSED WRITTEN PERMISSION OF SIGNCOMP.

DRAWING BY:	SBreihof	5/1/2013
Centroid X:	0.000 in	
Centroid Y:	0.000 in	
Principal Moments Ix:	0.000 in ⁴	
Principal Moments Iy:	0.000 in ⁴	
Section Modulus Ix:	0.000 in ³	
Section Modulus Iy:	0.000 in ³	

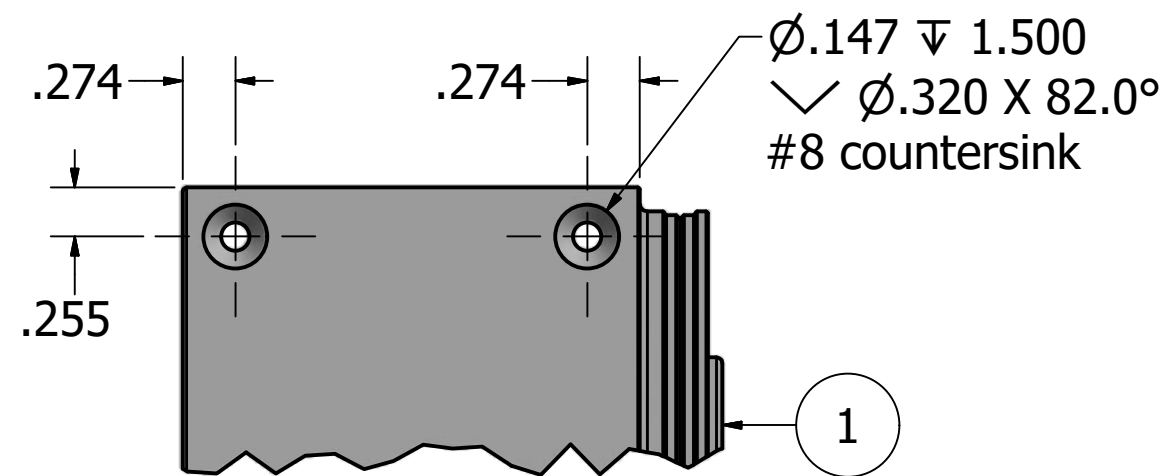
SignComp	
TITLE	
Series 3 Single Face Access Body - Frameless Cover - Series 3 Square Post - Assembly	
PART NO	REV
1291/93/33	
SHEET 1 OF 1	

PARTS LIST			
ITEM	PART#	DESCRIPTION	NOTES
1	1291	Series 3 Single Face Access Body	Top & Bottom
2	1291	Series 3 Single Face Access Body	Sides
3	Back Panel	.063 Aluminum Back Panel	By Other
4	5338	Series 3 Single Face Access Body Corner Angle	One (1) per body corner
60	5270	Access body Corner Screw	See hole detail

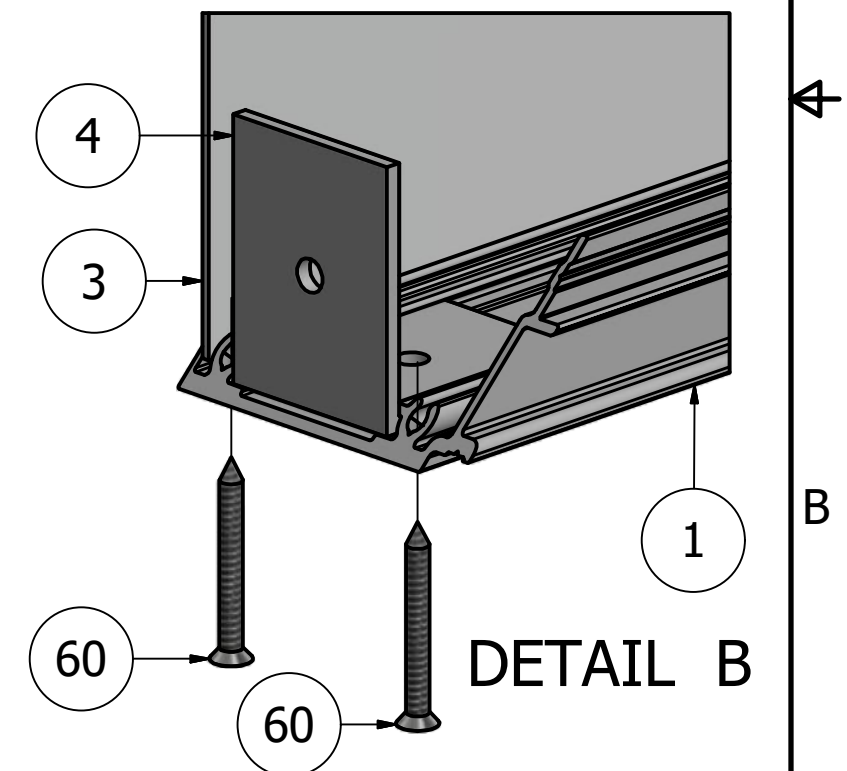
Ship To:
Sales Order #



DETAIL A-1



HOLE DETAIL
DRILLED BY OTHER



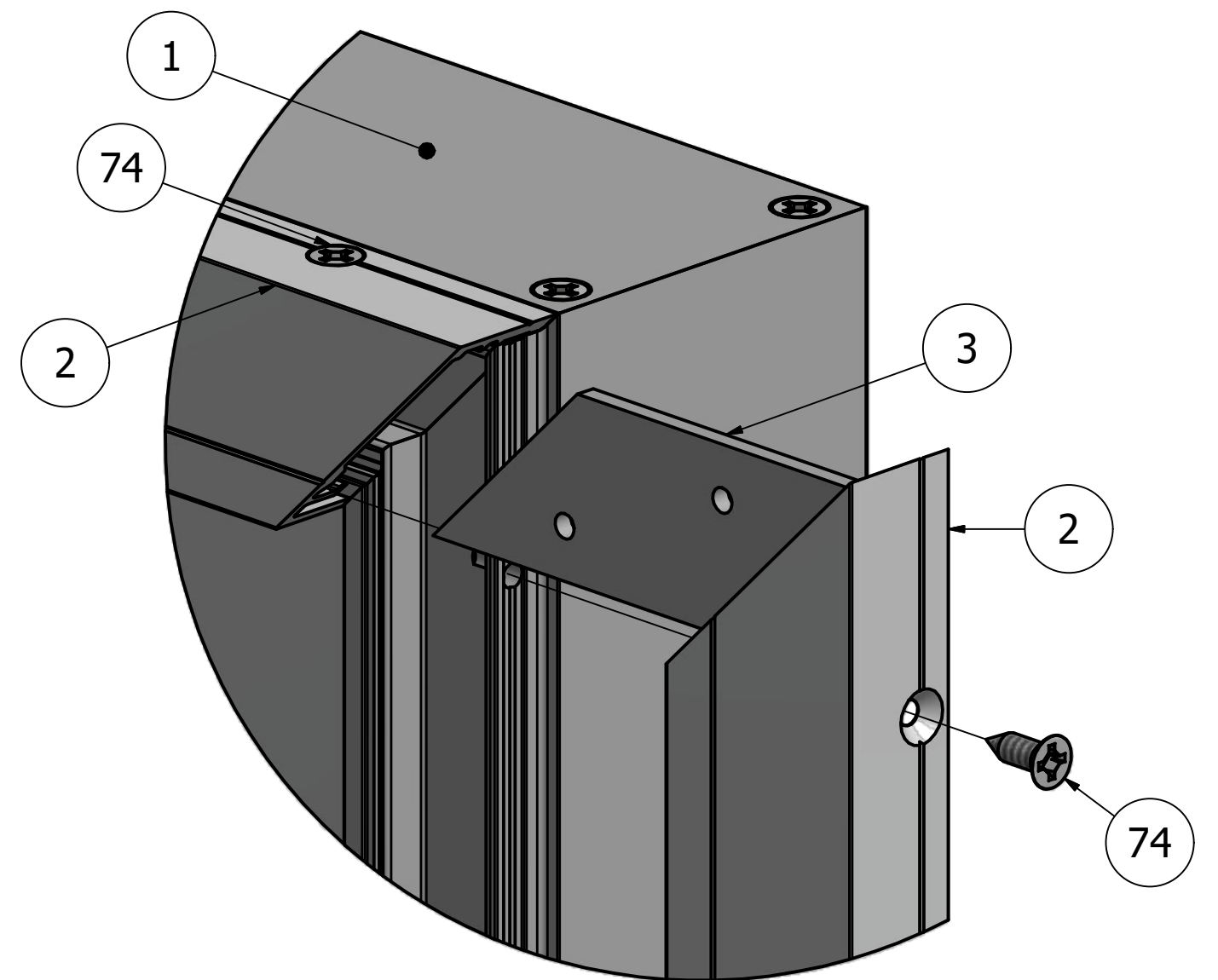
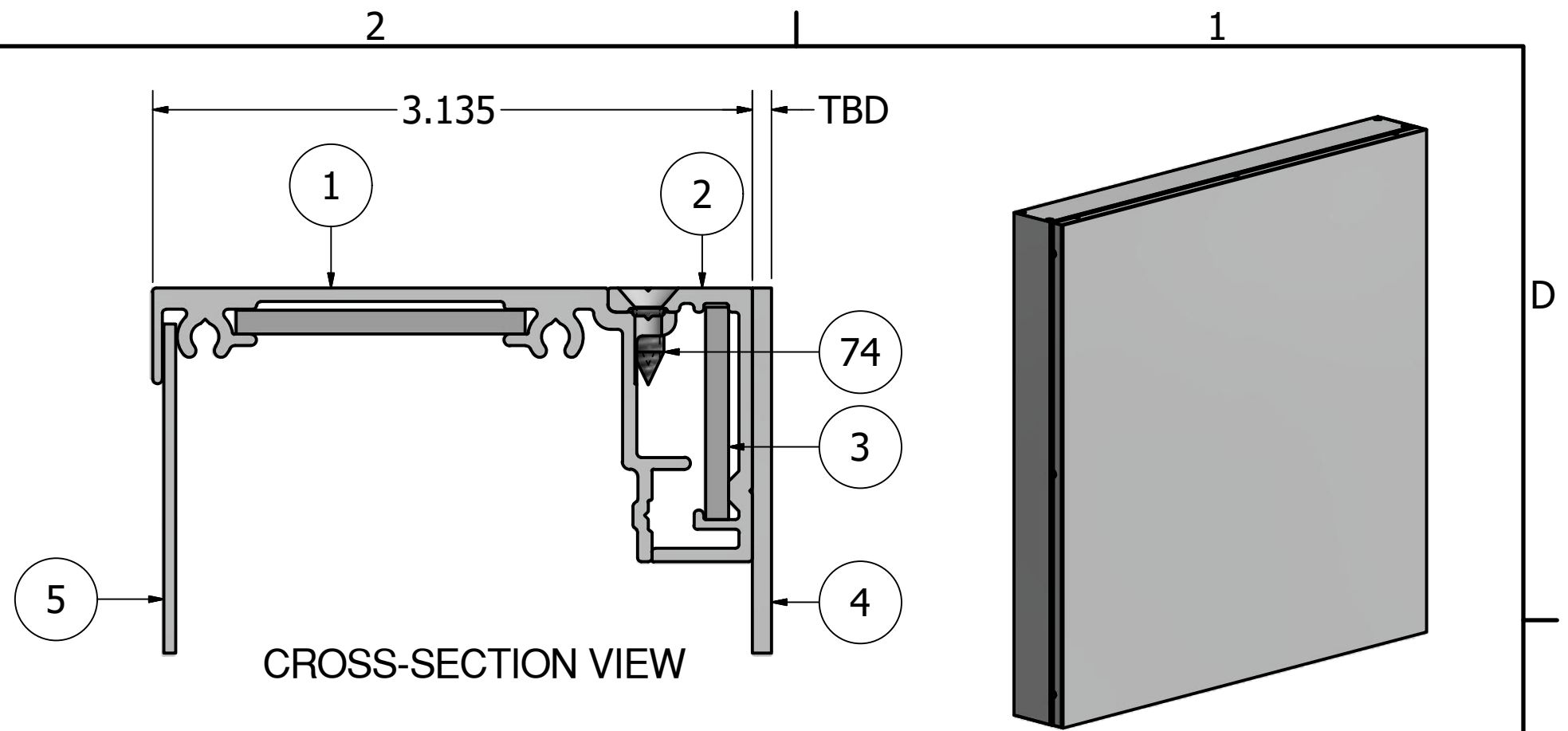
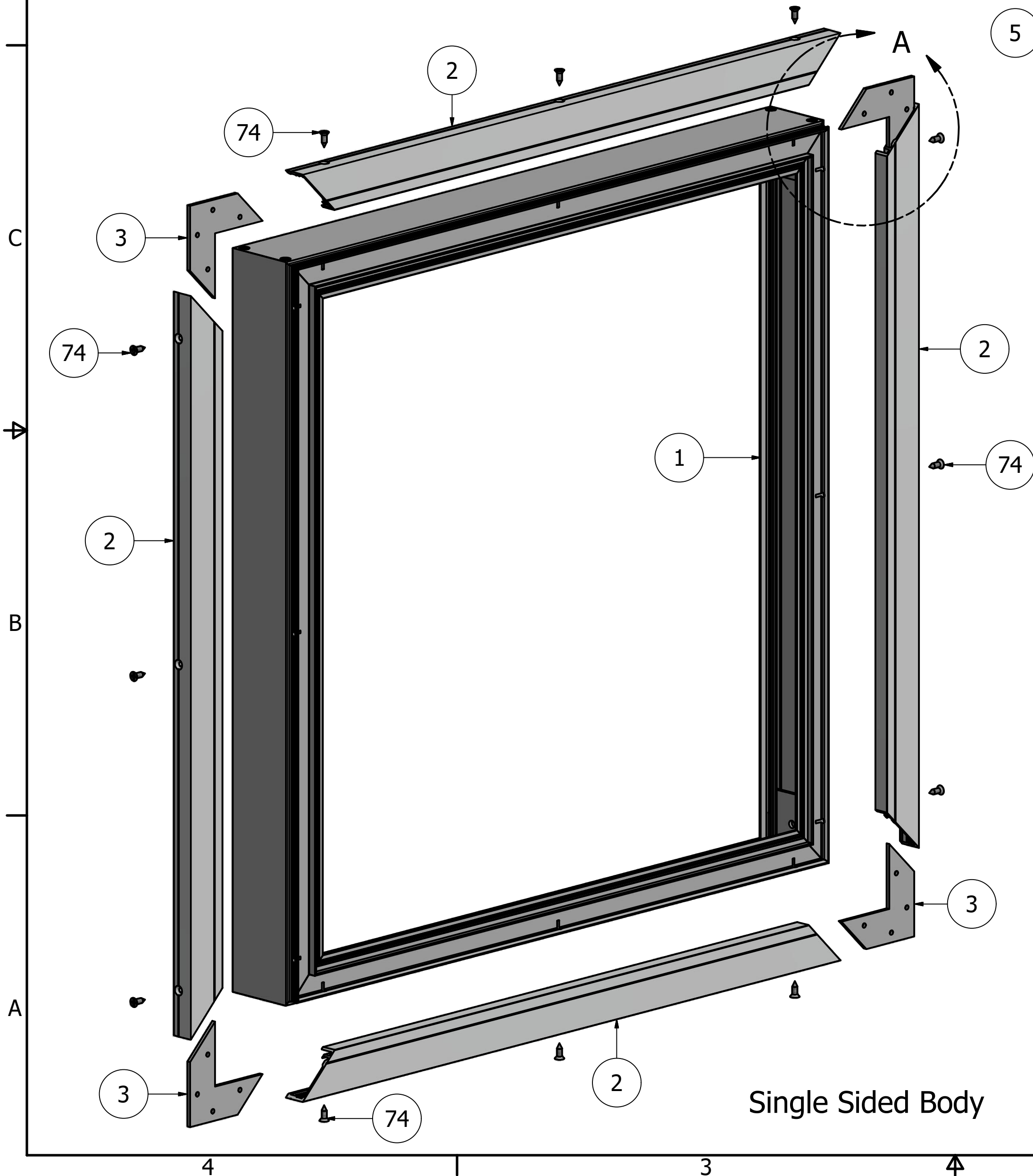
DETAIL B

NOTE: PRE-CUT KITS ARE NOT PRE-DRILLED.
(Holes shown in this drawing are for reference only.
Drilling of pilot holes are to be done by fabricator.)

THIS DRAWING WAS CREATED AT NO CHARGE TO ASSIST YOU IN VISUALIZING OUR PROPOSAL. THE DRAWING HEREIN IS THE PROPERTY OF SIGNCOMP. PERMISSION TO COPY OR REVISE THIS DRAWING OR TO USE THIS DRAWING FOR PRODUCTION IS STRICTLY PROHIBITED AND CAN ONLY BE COPIED, REVISED OR USED FOR PRODUCTION WITH THE EXPRESSED WRITTEN PERMISSION OF SIGNCOMP.			<h1>SignComp</h1>	
DRAWN	SBreihof	9/6/2012		
	Centroid X:	0.000 in	Series 3 - Single Face Access Body - Assembly	
	Centroid Y:	0.000 in		
	Principal Moments Ix:	0.000 in ⁴	DWG NO	REV
	Principal Moments Iy:	0.000 in ⁴	K1291	
	Section Modulus Ix:	0.000 in ³	SHEET 1 OF 1	
	Section Modulus Iy:	0.000 in ³		

PARTS LIST			
ITEM	PART #	DESCRIPTION	NOTES
1	K1291	Series 3 Single Face Access Body	Assembly
2	1693	Frameless Cover	Attaches to all sides
3	5210	Corner Key	
4		Aluminum Face	Routers off flush to the Cover - By Other
74	5168	Frameless Cover Screw	#8 countersink

Ship To:
Sales Order #

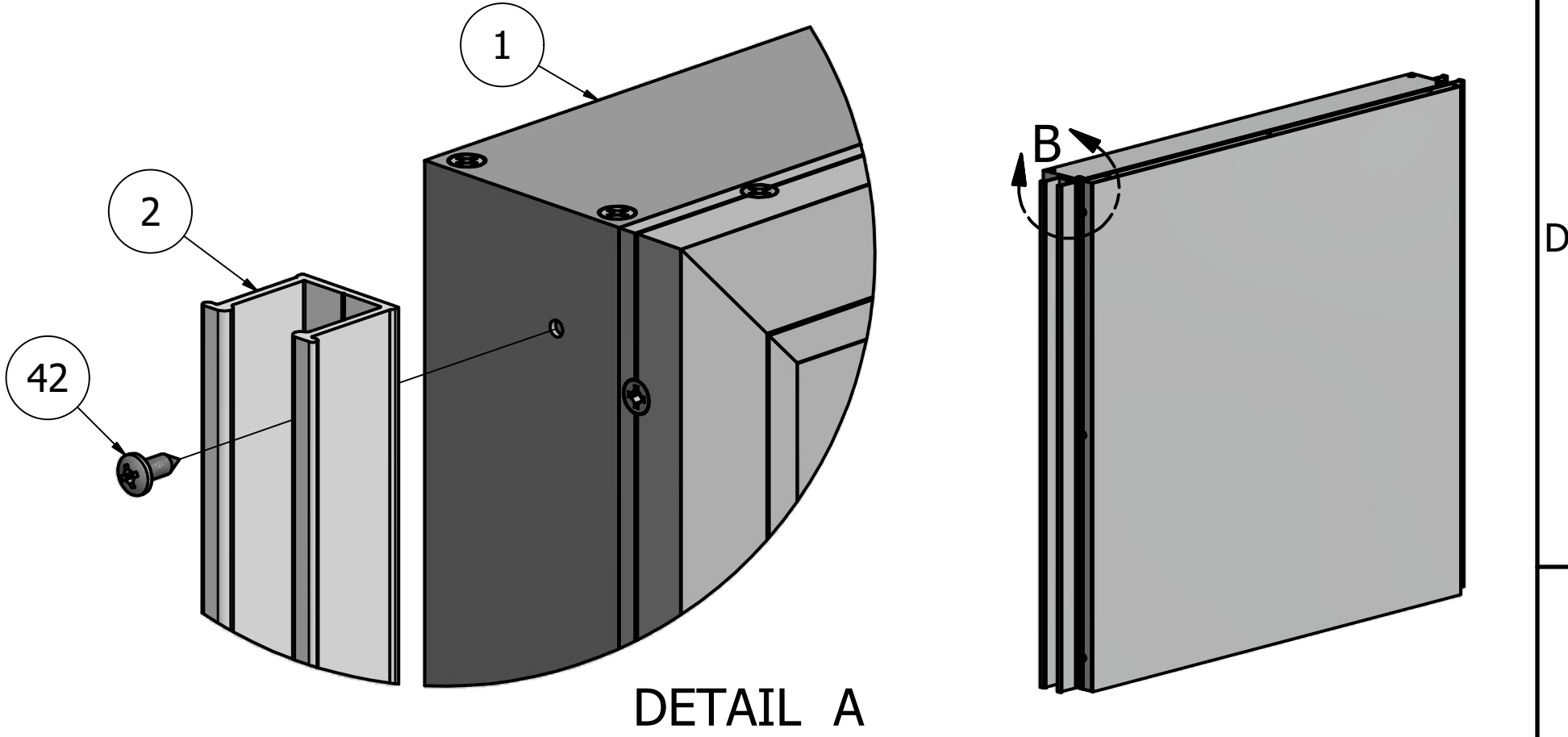
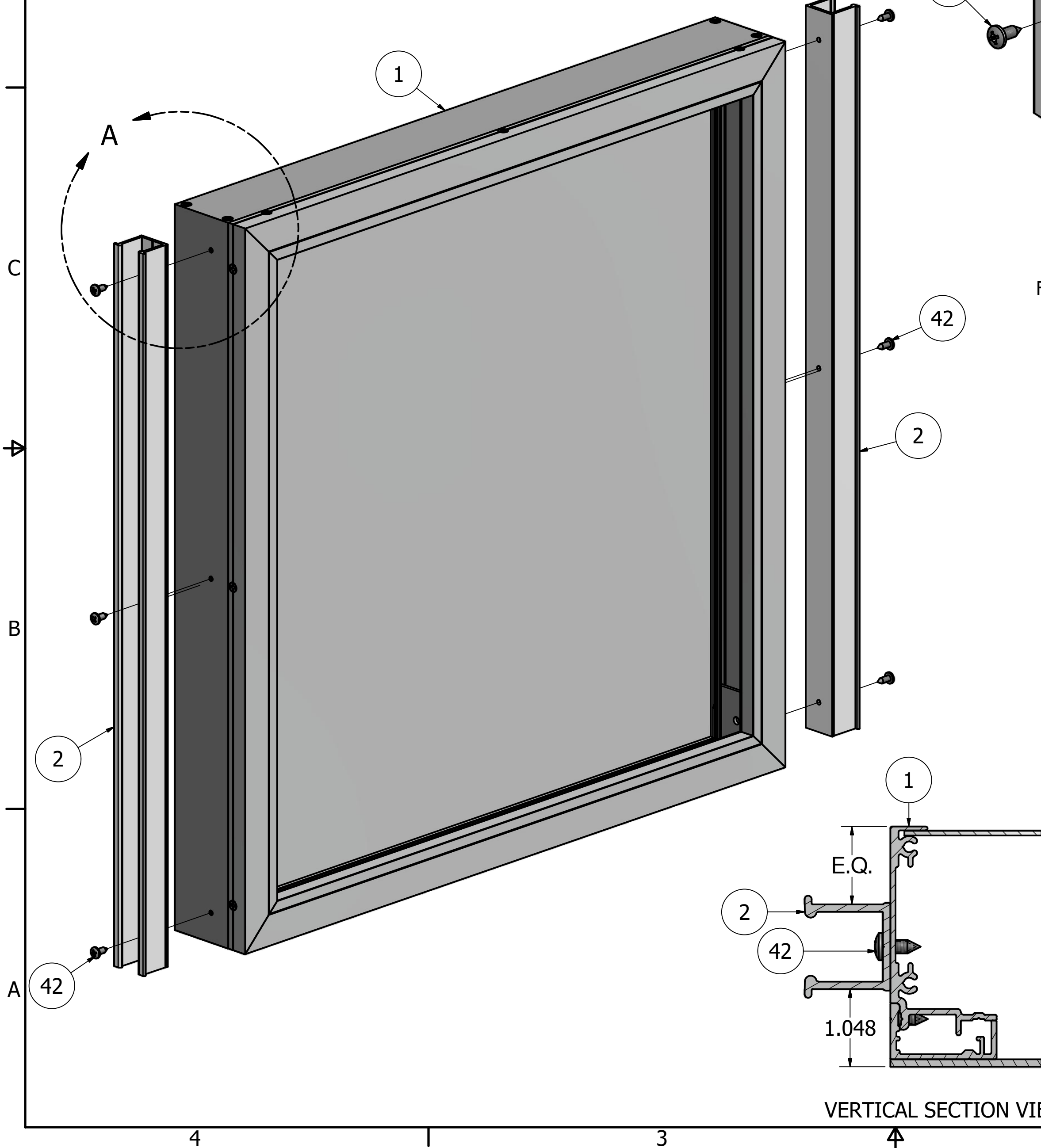


NOTE: PRE-CUT KITS ARE NOT PRE-DRILLED.
(Holes shown in this drawing are for reference only.
Drilling of pilot holes are to be done by fabricator.)

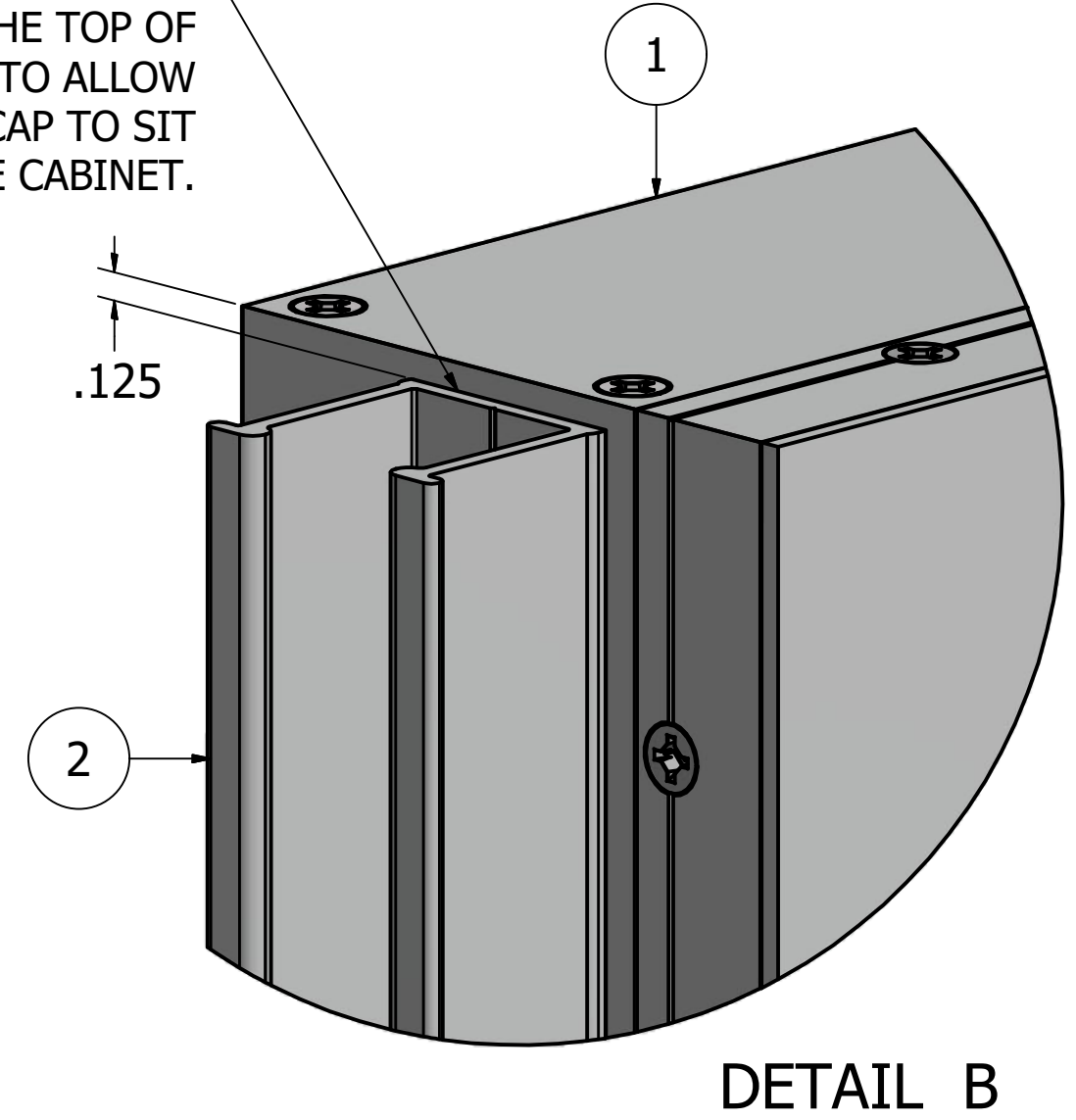
THIS DRAWING WAS CREATED AT NO CHARGE TO ASSIST YOU IN VISUALIZING OUR PROPOSAL. THE DRAWING HEREIN IS THE PROPERTY OF SIGNCOMP. PERMISSION TO COPY OR REVISE THIS DRAWING OR TO USE THIS DRAWING FOR PRODUCTION IS STRICTLY PROHIBITED AND CAN ONLY BE COPIED, REVISED OR USED FOR PRODUCTION WITH THE EXPRESSED WRITTEN PERMISSION OF SIGNCOMP.			
DRAWING BY:	SBreihof	5/1/2013	
Centroid X:	0.000 in	TITLE	
Centroid Y:	0.000 in		
Principal Moments Ix:	0.000 in ⁴	Series 3 Single Face Access Body - Frameless Cover	
Principal Moments Iy:	0.000 in ⁴		
Section Modulus Ix:	0.000 in ³	PART NO	REV
Section Modulus Iy:	0.000 in ³	1291/93	
			SHEET 1 OF 1

PARTS LIST			
ITEM	PART #	DESCRIPTION	NOTES
1	K1291/93	Series 3 Single Face Access Body/Frameless Cover	Assembly
2	1200	Series 2/3 Reveal	Attaches to the Body
42	5218	Reveal to Body Screw	Drill 5/32" pilot hole 12"oc

Ship To:
Sales Order #



REVEAL IS FASTENED 1/8" DOWN FROM THE TOP OF THE CABINET TO ALLOW FOR THE POST CAP TO SIT FLUSH TO THE CABINET.

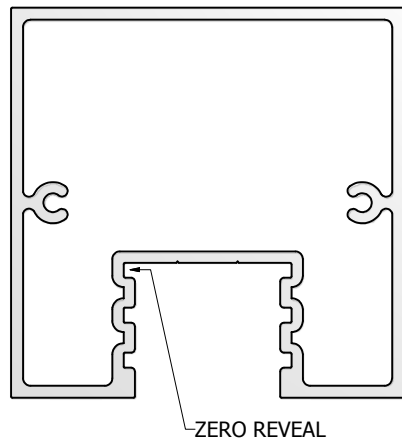
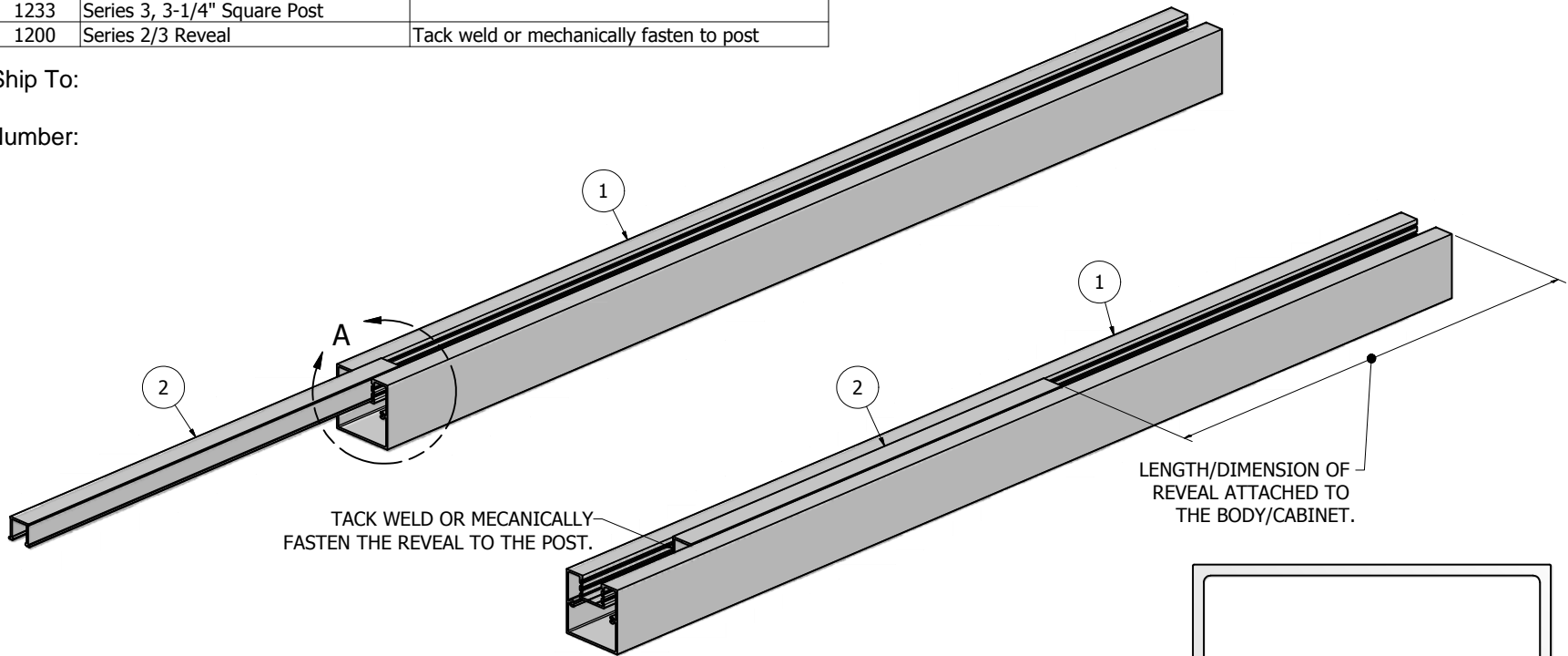


NOTE: PRE-CUT KITS ARE NOT PRE-DRILLED.
(Holes shown in this drawing are for reference only. Drilling of pilot holes are to be done by fabricator.)

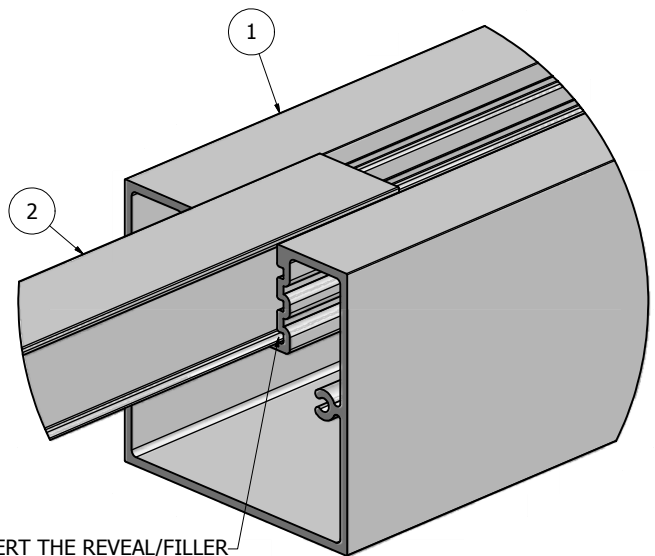
THIS DRAWING WAS CREATED AT NO CHARGE TO ASSIST YOU IN VISUALIZING OUR PROPOSAL. THE DRAWING HEREIN IS THE PROPERTY OF SIGNCOMP. PERMISSION TO COPY OR REVISE THIS DRAWING OR TO USE THIS DRAWING FOR PRODUCTION IS STRICTLY PROHIBITED AND CAN ONLY BE COPIED, REVISED OR USED FOR PRODUCTION WITH THE EXPRESSED WRITTEN PERMISSION OF SIGNCOMP.		
DRAWING BY:	SBreihof	5/1/2013
Centroid X:	0.000 in	
Centroid Y:	0.000 in	
Principal Moments Ix:	0.000 in ⁴	
Principal Moments Iy:	0.000 in ⁴	
Section Modulus Ix:	0.000 in ³	
Section Modulus Iy:	0.000 in ³	
SignComp		TITLE
Series 3 Single Face Access Body - Frameless Cover - Series 2/3 Reveal		REV
PART NO		REV
1291/93 - Reveal		REV
SHEET 1 OF 1		

Parts List			
ITEM	PART #	DESCRIPTION	NOTES
1	1233	Series 3, 3-1/4" Square Post	
2	1200	Series 2/3 Reveal	Tack weld or mechanically fasten to post

Ship To:
Order Number:



NOTE: PRE-CUT KITS ARE NOT PRE-DRILLED.
(Holes shown in this drawing are for reference only. Drilling of pilot holes are to be done by fabricator.)



INSERT THE REVEAL/FILLER INTO THE ZERO REVEAL POSTION. SLIDED IT UP INTO THE POST.

DETAIL A

THIS DRAWING WAS CREATED AT NO CHARGE TO ASSIST YOU IN VISUALIZING OUR PROPOSAL. THE DRAWING HEREIN IS THE PROPERTY OF SIGNCOMP. PERMISSION TO COPY OR REVISE THIS DRAWING OR TO USE THIS DRAWING FOR PRODUCTION IS STRICTLY PROHIBITED AND CAN ONLY BE COPIED, REVISED OR USED FOR PRODUCTION WITH THE EXPRESSED WRITTEN PERMISSION OF SIGNCOMP.

DRAWN	Steve	4/5/2010	SignComp	
CHECKED				
QA			TITLE	
MFG			Series 3, 3-1/4" Square Post - Series 2/3 Reveal - Assembly	
APPROVED			SIZE	DWG NO
			C	1233-00
			SCALE	SHEET 1 OF 1