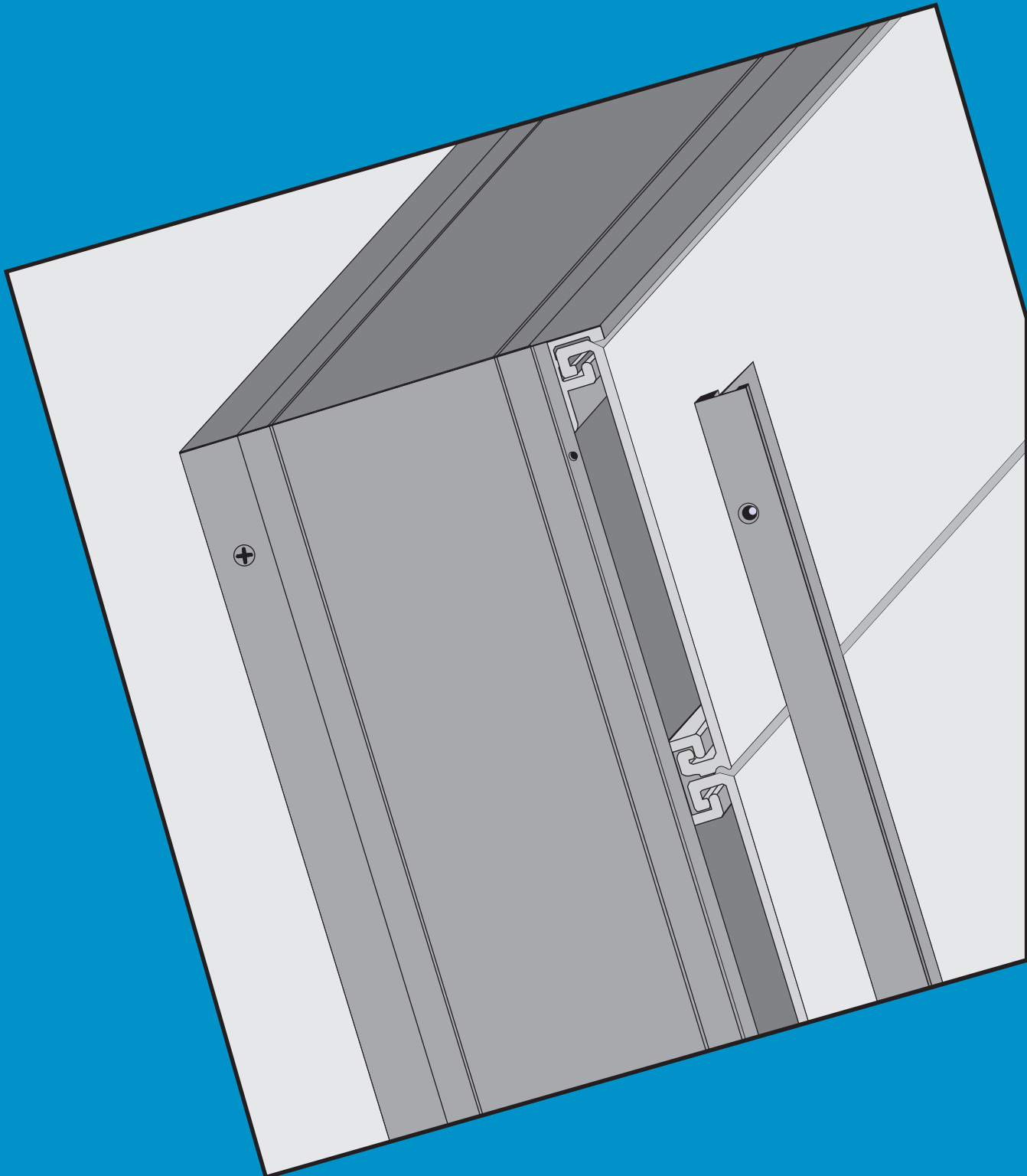




## Insert Panel System for Architectural Signage Modularity



## The Simplicity of Flush Changeable Panels

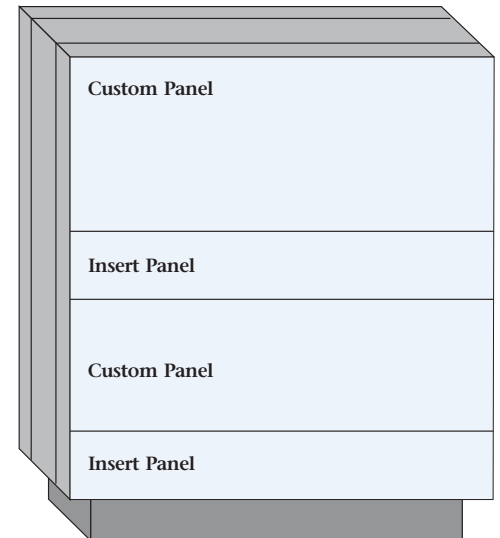
### Insert Panel System Design Intent

- *Quickly removeable*
- *Completely interchangeable*
- *Easily replaceable*
- *Able to be customized*

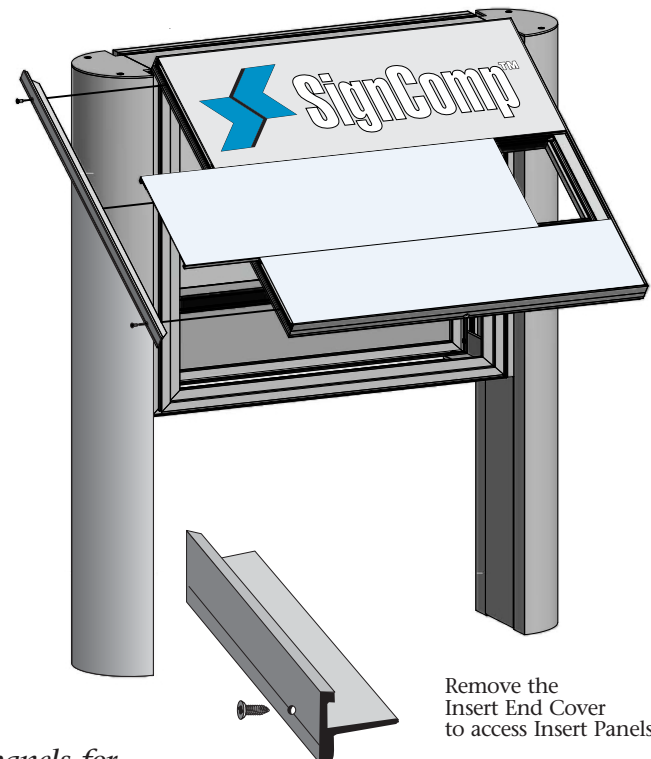
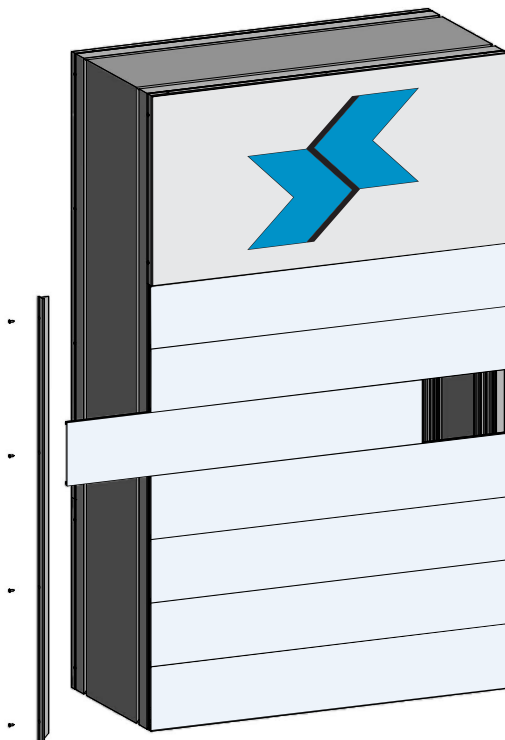
#### **Features and Benefits:**

- For illuminated and non-illuminated applications
- Hingeable and non-hingeable aluminum framework
- Provides a flush frameless appearance
- Offers a concealed structural divider system

*Custom height panels may be placed anywhere on the face*



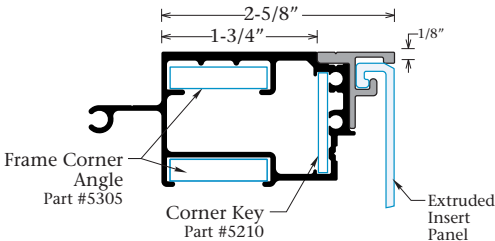
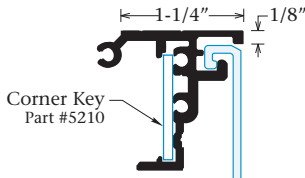
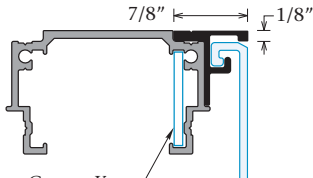
INSERT PANEL SYSTEM



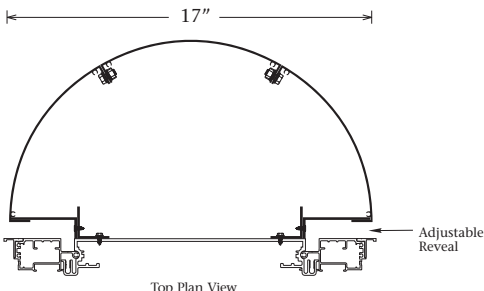

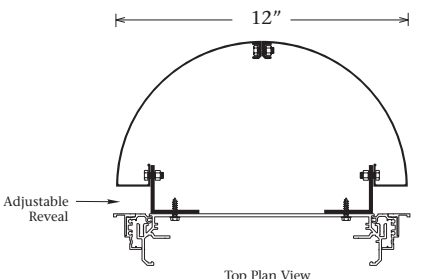
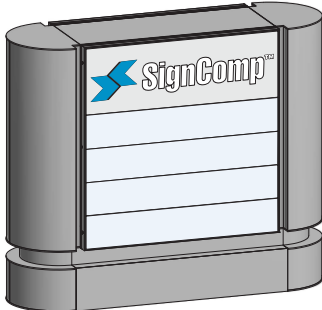
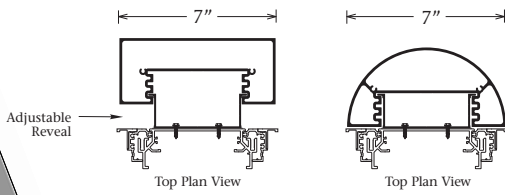
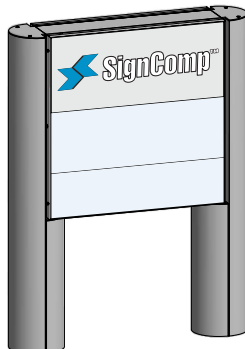
*Simply slide the panels for ease of changeability*

Remove the Insert End Cover to access Insert Panels

## Insert Retainer Options

<p><b>Commercial Access Frame</b> Part #2060</p>	<p><b>Insert Retainer</b> Part #1666</p>	<p><b>Insert Top/Bottom Cover</b> Part #1292</p>
 <p>Side Plan View</p>	 <p>Side Plan View</p>	 <p>Side Plan View</p>

## SignComp Design Options

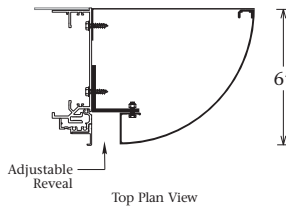
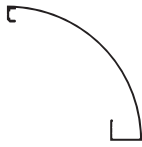
<p><b>8-1/2" Radius 3 Part End</b> Part #1673 For double face, hingeable applications</p>	 <p>Top Plan View</p> <p>Wide Body with Access Frame and Insert End Cover</p>	 <p>Elevation View</p>
<p><b>6" Radius 1/4 Round End</b> Part #1671 For double face, hingeable applications</p>	 <p>Top Plan View</p> <p>Series 12 Hinge Body with Access Frame and Insert End Cover</p>	 <p>Elevation View</p>
<p><b>Series 7 Posts</b> For post &amp; panel, hingeable applications</p>	 <p>Top Plan View</p> <p>Series 7 Hinge Body with Access Frame and Insert End Cover</p>	 <p>Elevation View</p>

# SignComp Design Options

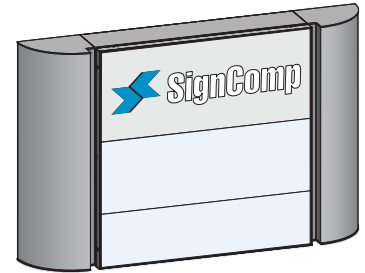
## 6" Radius 1/4 Round End

Part #1671

For wall mounted, hingeable applications



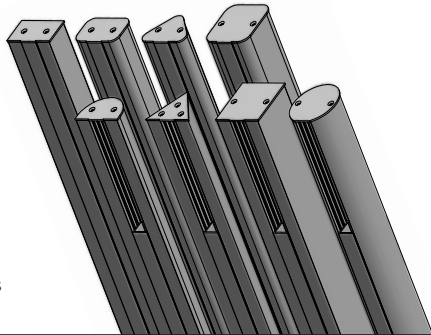
Series 7 Single Face Hinge Body with Access Frame and Insert End Cover



Elevation View

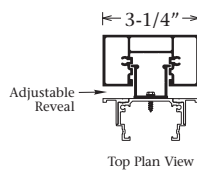
## Series 3 Posts

For double and single face post & panel applications



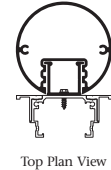
8 Post Options

### Double Face

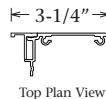


Series 3 Access Body with Insert End Cover

3-1/4"



### Single Face

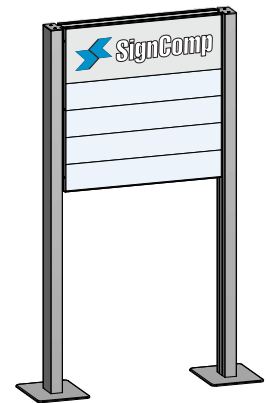


Wall Mount Application

3-1/4"



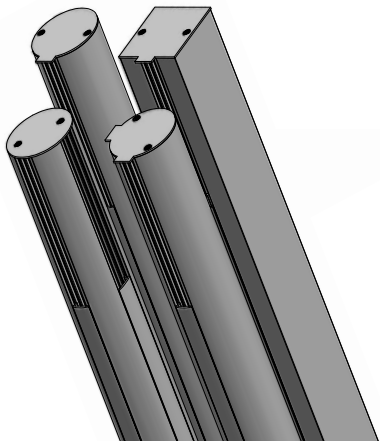
Series 3 Single Face Access Body with Insert End Cover



Elevation View

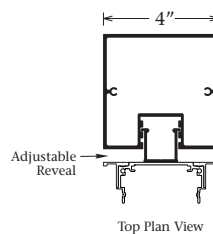
## Series 4 Posts

For double and single face post & panel applications

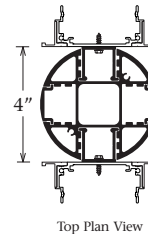


4 Post Options

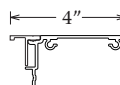
### Double Face



Series 4 Access Body with Insert End Cover

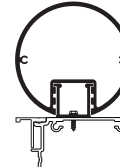


### Single Face

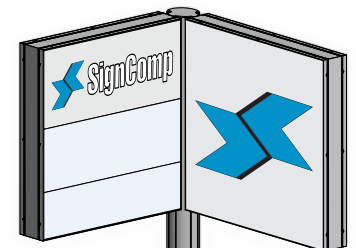


Wall Mount Application

4"



Series 4 Single Face Access Body with Insert End Cover

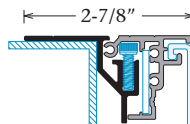


Elevation View

## Series 7/12 Retro Body

Part #1600

For retro fit or custom depth applications



**Note:** Custom depth, hingeable, single or double face applications are achieved by attaching the Series 7/12 Retro Body to fabricated or existing sign cabinet frames.

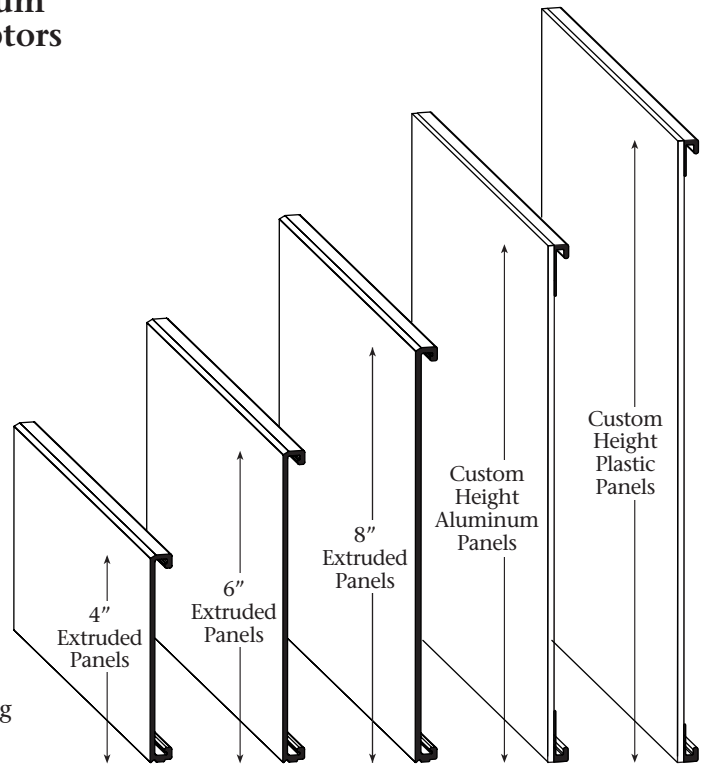
## Insert Panel Options

**Choice of three (3) extruded Aluminum Insert Panels 4", 6" and 8" or create custom height Aluminum Insert Panels by fixing Aluminum Insert Adaptors to .090" aluminum sheet**

- 16'2" extruded panel lengths
- 8'1" extruded panel adaptor lengths
- Clear anodized to facilitate the sliding motion
- For non-illuminated applications:
  - Painted or applied vinyl graphics
- For illuminated applications:
  - Routed out graphics backed with plastic

**Create custom height Plastic Insert Panels by fixing Plastic Insert Adaptors to .125" plastic sheet**

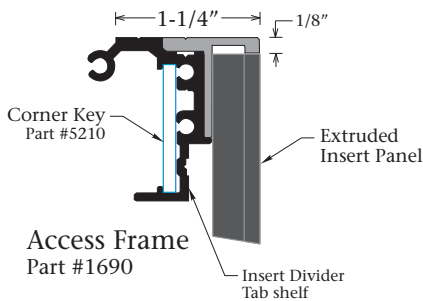
- Extruded modified DR black acrylic
- 8'1" extruded panel adaptor lengths
- Plastic panel perimeter edges must be painted opaque
- For non-illuminated applications:
  - Painted or applied vinyl graphics
- For illuminated applications:
  - Surface painted opaque background over applied masking films (applied masking films are removed to reveal translucent graphics)



## End Cover Options

### Insert End Cover

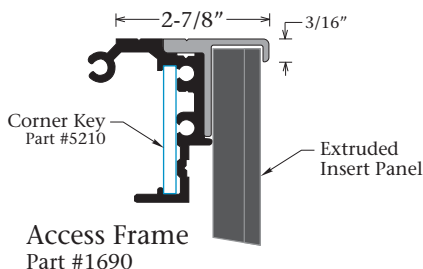
Part #1696



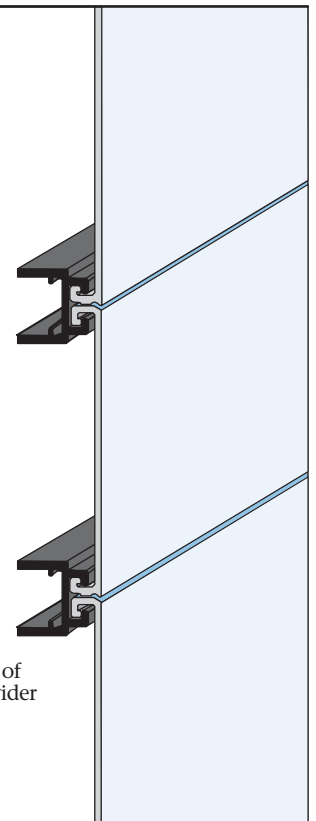
- Flush, countersunk stainless steel fasteners hold the Insert End Cover in place
- Concealed, structural dividers support the Insert Panels
- Aluminum Insert Panels, Insert Divider, Insert Retainer, and Aluminum Insert Panel Adaptors are supplied in black or clear anodized to facilitate the sliding motion
- Integrated, hingeable frame allows for easy access for service

### Extended Insert End Cover

Part #1698



Insert Panels are supported the full width by concealed Insert Dividers



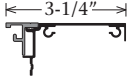
End view of Insert Divider

**Note:** Extended Insert End Cover is used with plastic adaptors and all illuminated applications.

# Insert Panel System Configurations

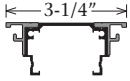
## Architectural Bodies

Insert Top/Bottom Cover, Part #1292



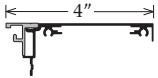
Series 3 S/F Access Body  
Part #1291

Single Face, non-hingeable applications



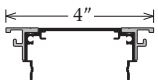
Series 3 Access Body  
Part #1290

Double Face, non-hingeable applications



Series 4 S/F Access Body  
Part #1391

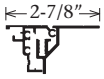
Single Face, non-hingeable applications



Series 4 Access Body  
Part #1390

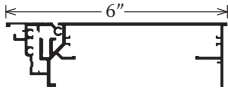
Double Face, non-hingeable applications

Insert Frame, Part #1666



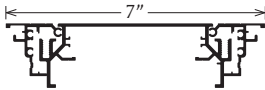
Series 7/12 Retro Body  
Part #1600

Double or single face, hingeable applications



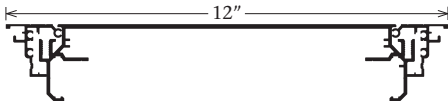
Series 7 S/F Hinge Body  
Part #1602

Single face, hingeable applications



Series 7 Hinge Body  
Part #1592

Double face, hingeable applications

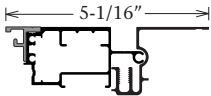


Series 12 Hinge Body  
Part #1612

Double face, hingeable applications

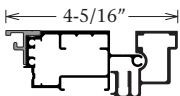
## Commercial Bodies (with Reveal)

Commercial Access Frame, Part #2060 and Insert Top/Bottom Cover, Part #1292



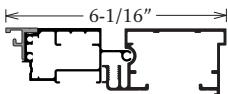
Retro Body  
Part #2040

Double or single face, hingeable applications



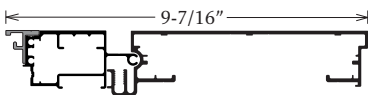
Slimline S/F Body  
Part #2020

Single face, hingeable applications



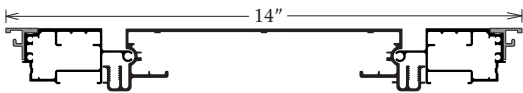
Narrow S/F Body  
Part #2021

Single face, hingeable applications



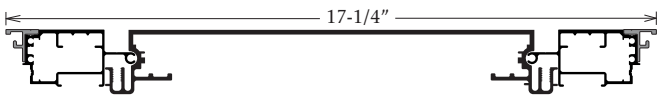
Single Face Body  
Part #2025

Single face, hingeable applications



Medium Body  
Part #2015

Double face, hingeable applications



Wide Body  
Part #2005

Double face, hingeable applications