

2



1

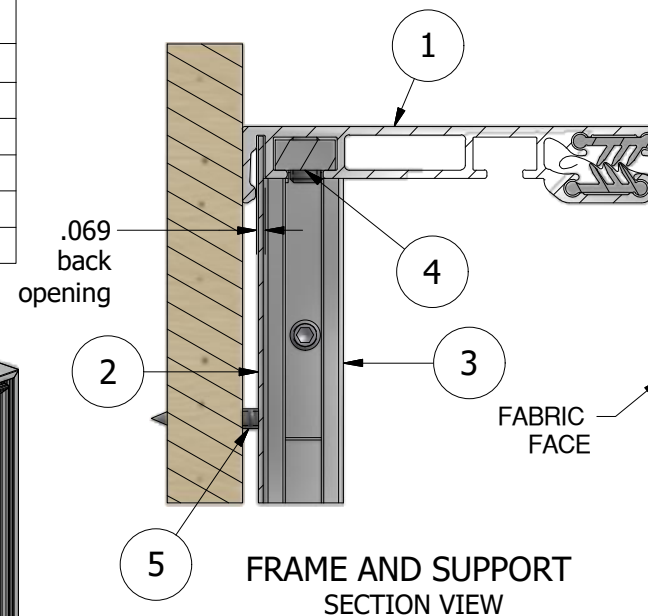
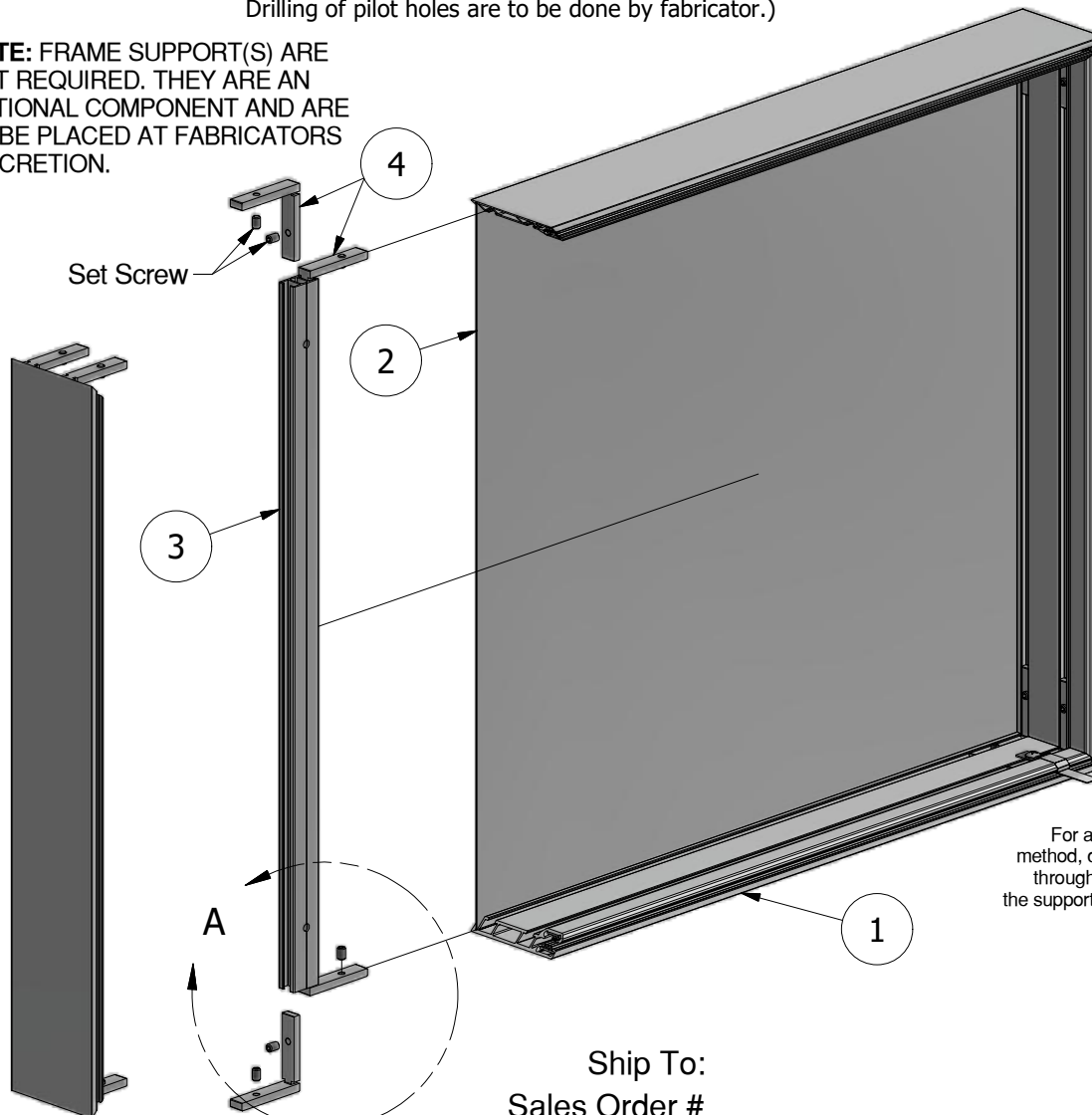
PARTS LIST

ITEM	QTY	PART #	DESCRIPTION	NOTES
1	1	K3095	3-1/2" Front Load Soft Signage Frame	Assembly
2	1		Optional Back	Material TBD
3	1	3085	Soft Signage Support	
4	4	5895	3-1/2" Front Load Soft Signage Angle Assembly	Two (2) per Support end
5	TBD		Attachment Fastener	By Other

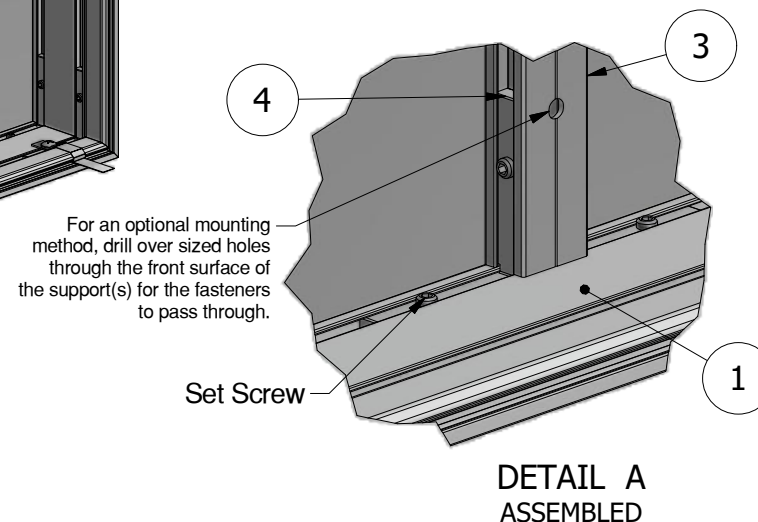
NOTE: PRE-CUT KITS ARE NOT PRE-DRILLED.

(Holes shown in this drawing are for reference only.
Drilling of pilot holes are to be done by fabricator.)

NOTE: FRAME SUPPORT(S) ARE NOT REQUIRED. THEY ARE AN OPTIONAL COMPONENT AND ARE TO BE PLACED AT FABRICATORS DISCRETION.



NOTE: SLIDE THE ANGLE ASSEMBLIES INTO THE SUPPORT, THEN INTO THE FRAME. ONCE IN THE DESIRED POSITION, SECURE THE SUPPORT(S) TO THE FRAME BY TIGHTENING THE SET SCREWS.



THIS DRAWING WAS CREATED AT NO CHARGE TO ASSIST YOU IN VISUALIZING OUR PROPOSAL. THE DRAWING HEREIN IS THE PROPERTY OF SIGNCOMP. PERMISSION TO COPY OR REVISE THIS DRAWING OR TO USE THIS DRAWING FOR PRODUCTION IS STRICTLY PROHIBITED AND CAN ONLY BE COPIED, REVISED OR USED FOR PRODUCTION WITH THE EXPRESSED WRITTEN PERMISSION OF SIGNCOMP.

Project Name: 3-1/2" Front Load Soft Signage w/ Optional Support - Assembly

Sign Company: K3095-3085

Revision:

Date: 3/21/2019

Sheet: 1 of 1

Size: A

Drawing By: SBreihof

SignComp

B

A

B

A

2



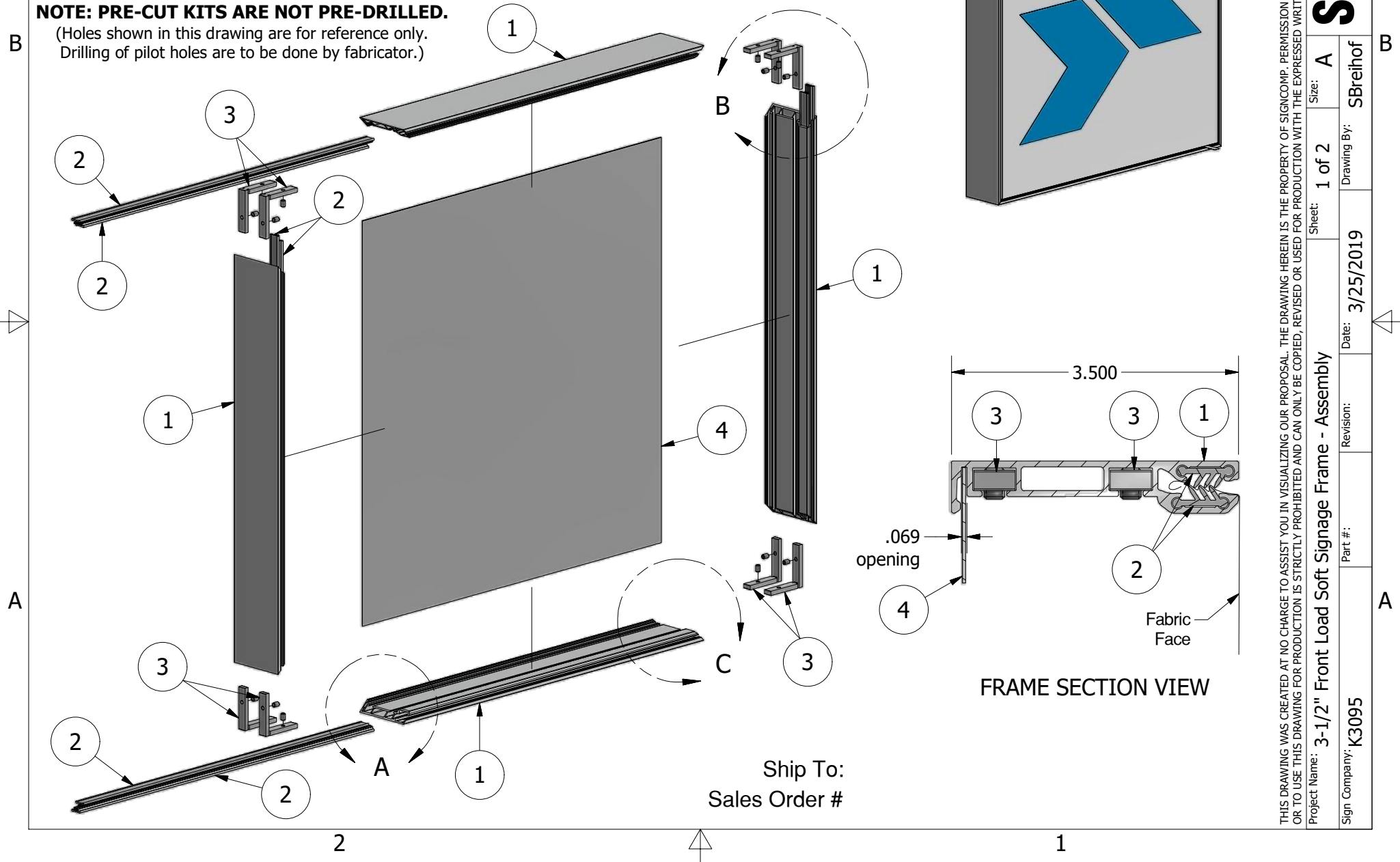
1

PARTS LIST

ITEM	PART #	DESCRIPTION	NOTES
1	3095	3-1/2" Front Load Soft Signage Frame	All Sides
2	3098	Front Load Grip Strip	Two (2) per side
3	5895	Angle Assembly	Two (2) per frame corner
4		Optional Back	By Other
5	5897	Front Load Soft Signage Pull Tab Assembly	

NOTE: PRE-CUT KITS ARE NOT PRE-DRILLED.

(Holes shown in this drawing are for reference only. Drilling of pilot holes are to be done by fabricator.)



Ship To:
Sales Order #

FRAME SECTION VIEW

THIS DRAWING WAS CREATED AT NO CHARGE TO ASSIST YOU IN VISUALIZING OUR PROPOSAL. THE DRAWING HEREIN IS THE PROPERTY OF SIGNCOMP. PERMISSION TO COPY OR REVISE THIS DRAWING OR TO USE THIS DRAWING FOR PRODUCTION IS STRICTLY PROHIBITED AND CAN ONLY BE COPIED, REVISED OR USED FOR PRODUCTION WITH THE EXPRESSED WRITTEN PERMISSION OF SIGNCOMP.

Project Name: 3-1/2" Front Load Soft Signage Frame - Assembly

Sign Company: K3095

Revision: 3/25/2019

Drawing By: SBreihof

Sheet: 1 of 2

SignComp

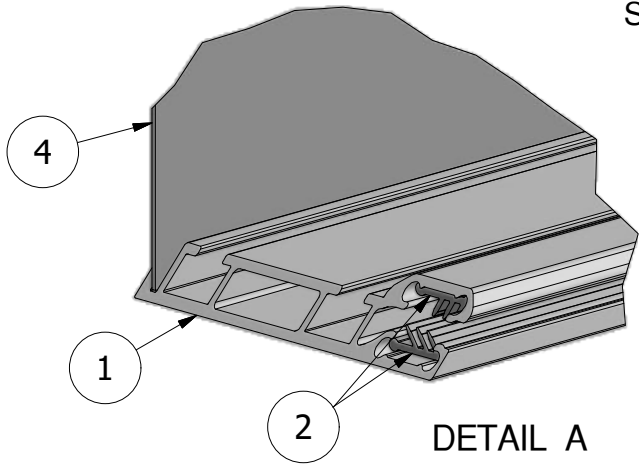
2



1

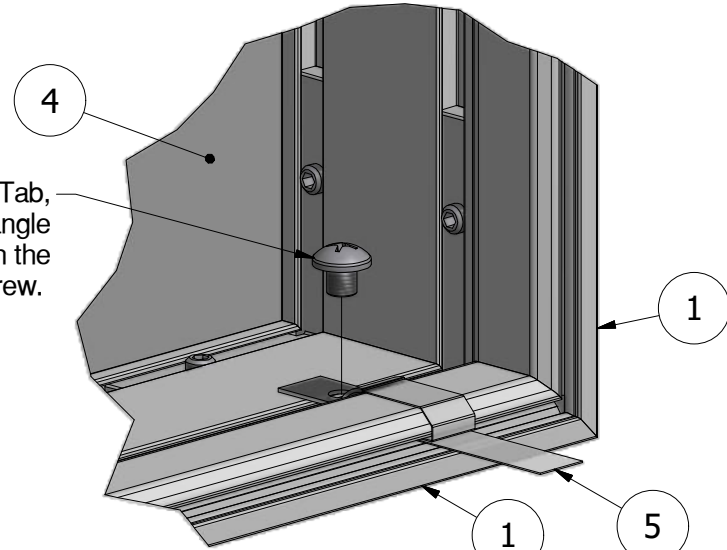
Ship To:
Sales Order #

NOTE: BEFORE TENSIONING THE FACE, MAKE SURE THE PULL TAB IS POSITIONED OVER THE OUTSIDE OF THE FRAME.

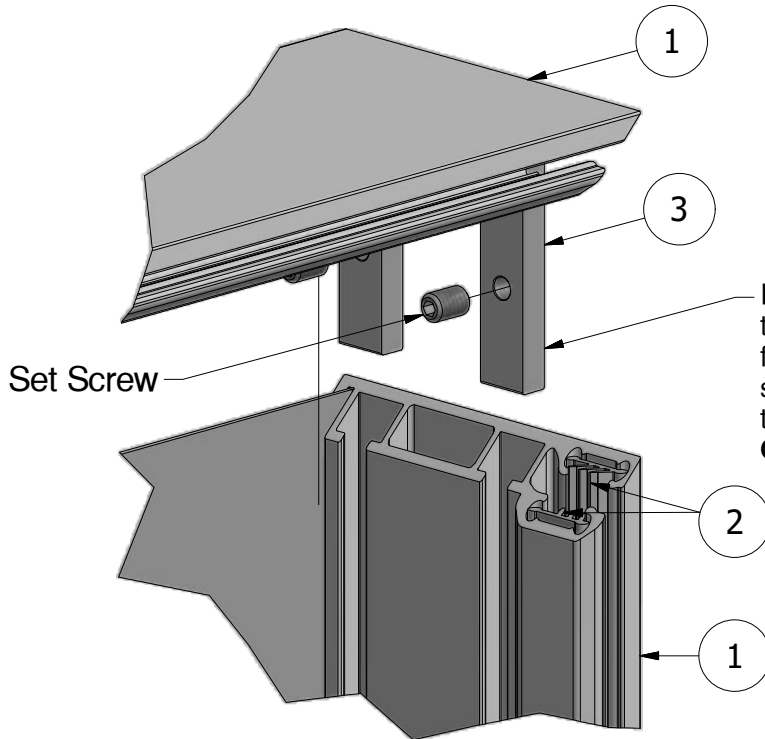


DETAIL A

To secure the Pull Tab, replace one of the front angle assembly set screws with the pull tab assembly screw.



DETAIL C
PULL TAB ASSEMBLY



DETAIL B

NOTE: A RATCHET STRAP IS RECOMMENDED FOR DRAWING THE CORNERS OF THE FRAME TIGHT BEFORE TIGHTENING THE SET SCREWS IN THE ANGLE ASSEMBLIES.

B

A

2



1

THIS DRAWING WAS CREATED AT NO CHARGE TO ASSIST YOU IN VISUALIZING OUR PROPOSAL. THE DRAWING HEREIN IS THE PROPERTY OF SIGNCOMP. PERMISSION TO COPY OR REVISE THIS DRAWING OR TO USE THIS DRAWING FOR PRODUCTION IS STRICTLY PROHIBITED AND CAN ONLY BE COPIED, REVISED OR USED FOR PRODUCTION WITH THE EXPRESSED WRITTEN PERMISSION OF SIGNCOMP.

Project Name: 3-1/2" Front Load Soft Signage Frame - Assembly

Sign Company: K3095

Part #:

Date: 3/25/2019

Drawing By: SBreihof

Sheet: 2 of 2

Size: A

SignComp

A

B