

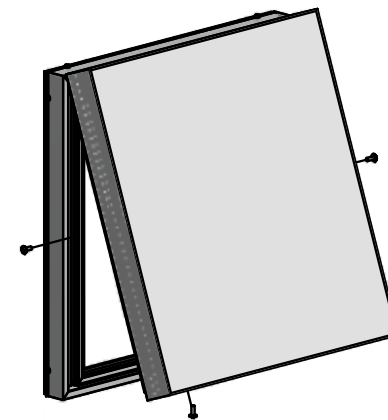
2



1

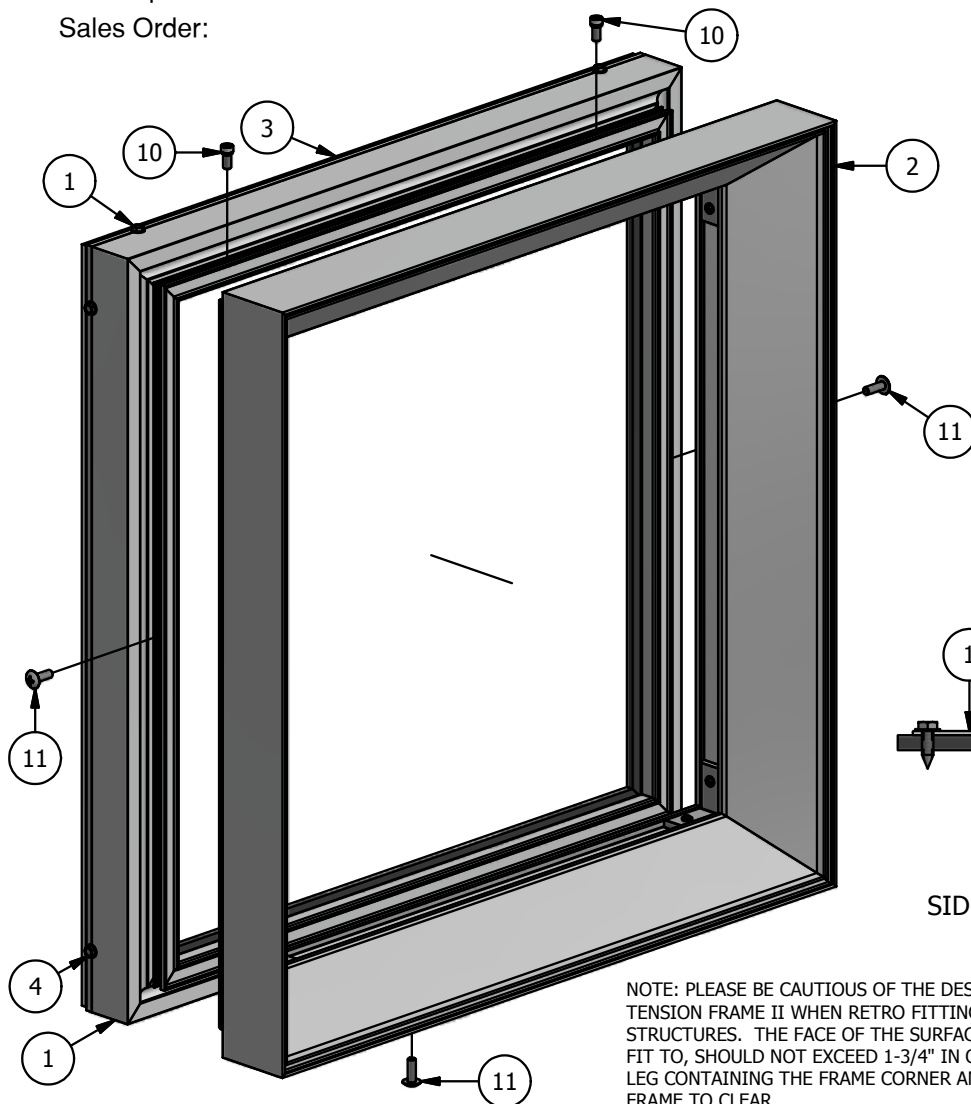
## PARTS LIST

ITEM	PART #	DESCRIPTION	NOTES
1	K2040	Retro Body	Assembly
2	K2086/95	Tension Frame II / Bleed Cover	Assembly
3	By Other	Angle or Tubing	Required if not attaching to existing structure
4	By Other	Attachment Fastener	Not provided by SignComp
10	5170	Hinge Screw	Pre-drill a 3/8" hole - Top - 36" o/c
11	5180	Closure Screw	Pre-drill a 3/8" hole - Sides & Bottom - 48" o/c

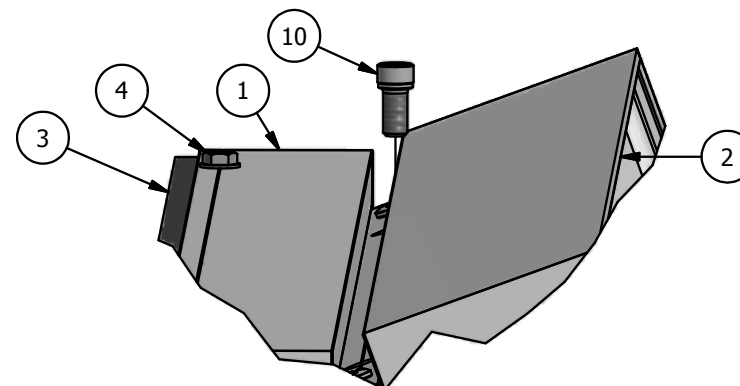


B

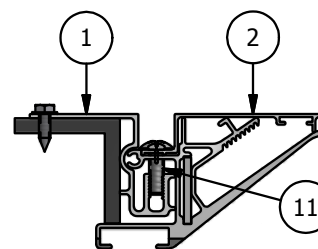
Ship To:  
Sales Order:



A

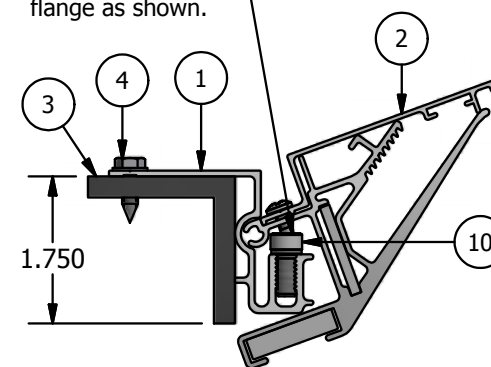


DETAIL A  
FRAME HINGED



SIDE CROSS-SECTION  
FRAME CLOSED

Drive the hinge screw  
down into the body  
so the head of the screw  
is under the retainer  
flange as shown.



TOP CROSS-SECTION VIEW

2



1

THIS DRAWING WAS CREATED AT NO CHARGE TO ASSIST YOU IN VISUALIZING OUR PROPOSAL. THE DRAWING HEREIN IS THE PROPERTY OF SIGNCOMP. PERMISSION TO COPY OR REVISE THIS DRAWING OR TO USE THIS DRAWING FOR PRODUCTION IS STRICTLY PROHIBITED AND CAN ONLY BE COPIED, REVISED OR USED FOR PRODUCTION WITH THE EXPRESSED WRITTEN PERMISSION OF SIGNCOMP.

Part Name: Retro Body w/ Tension Frame II & Bleed Cover

Part Number: K2040/86/95

Date: 3/25/2015

Drawing By: SBreihof

Sheet: 1 of 1

Size: A

# SignComp

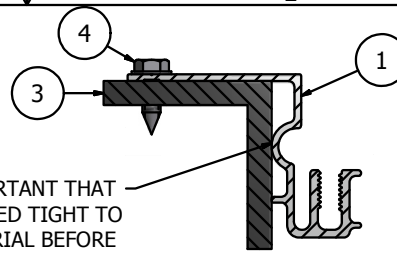
B

A

PARTS LIST			
ITEM	PART #	DESCRIPTION	NOTES
1	2040	Retro Body	Top & Bottom
2	2040	Retro Body	Sides
3	By Other	Angle or Tubing	Required if not attaching to existing structure.
4	By Other	Attachment Fastener	Not provided by SignComp

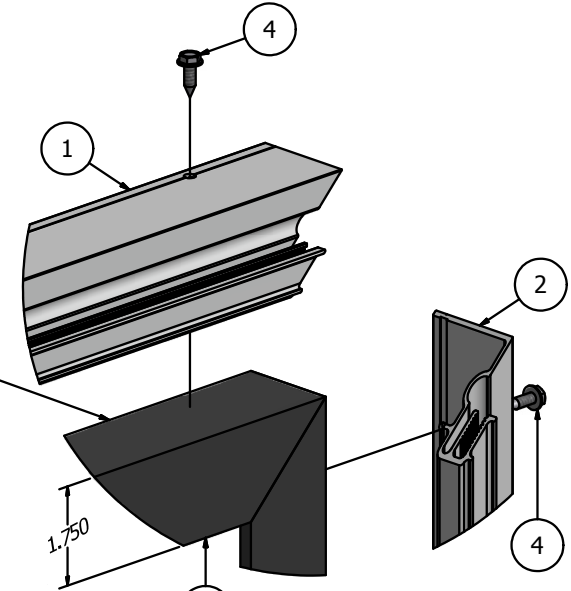
Ship To:  
Sales Order#

**NOTE:** IT IS IMPORTANT THAT THE FRAME IS PLACED TIGHT TO THE ANGLE MATERIAL BEFORE FASTENING.

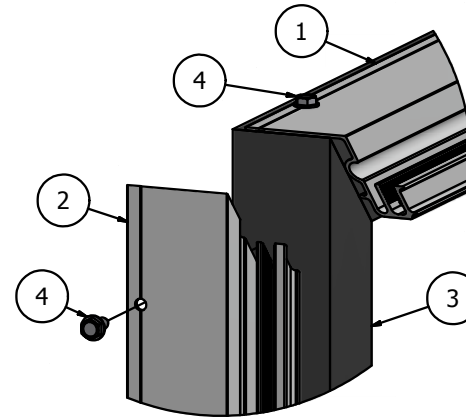


CROSS-SECTION VIEW

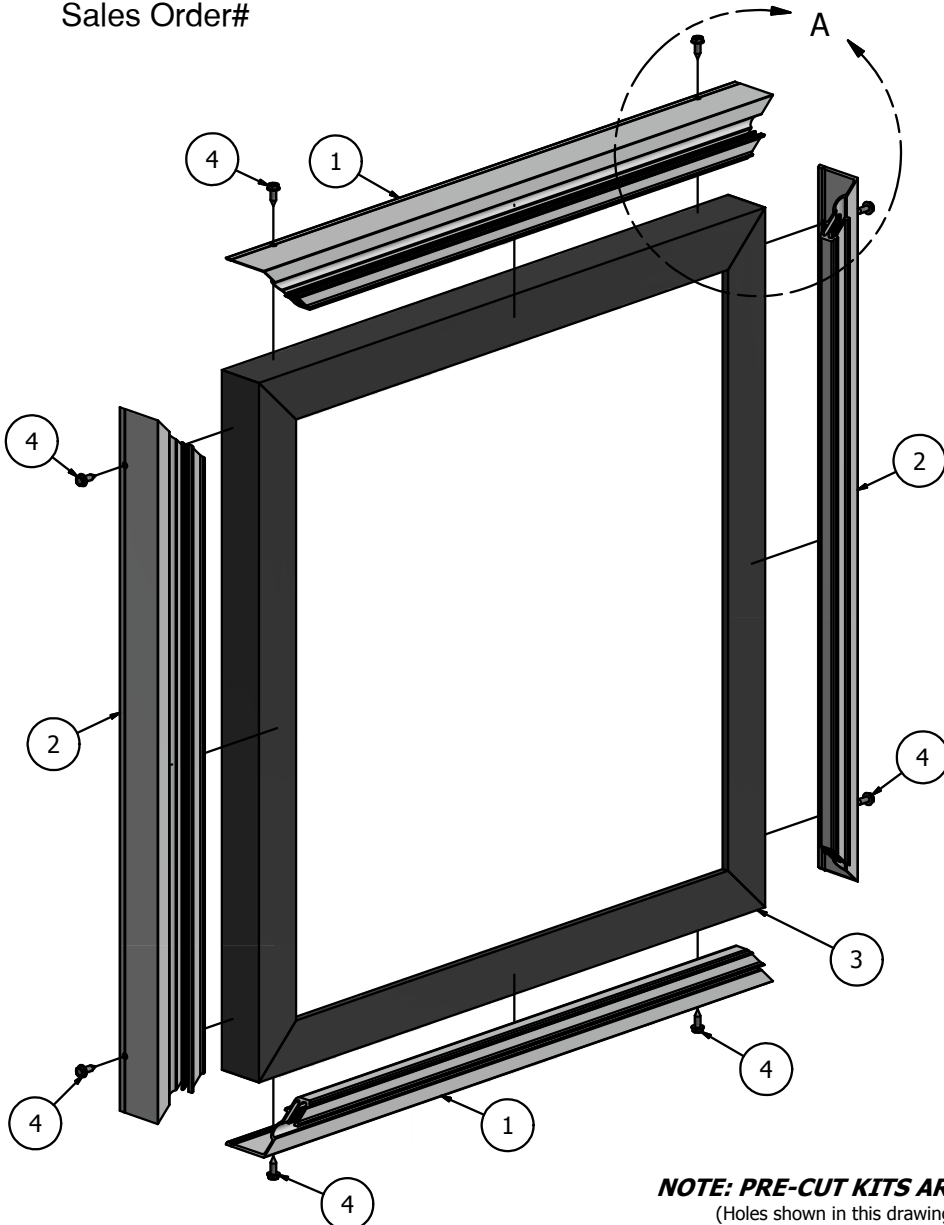
RIGHT ANGLE MATERIAL REQUIRED FOR FRAME TO ATTACH TO. MUST NOT EXCEED 1-3/4" ANGLE FOR THE FRAME TO CLOSE PROPERLY. ANGLE OR TUBING IS **NOT PROVIDED BY SIGNCOMP.**



DETAIL A-1  
UNASSEMBLED



DETAIL A-2  
ASSEMBLED



**NOTE: PRE-CUT KITS ARE NOT PRE-DRILLED.**  
(Holes shown in this drawing are for reference only. Drilling of pilot holes are to be done by fabricator.)

THIS DRAWING WAS CREATED AT NO CHARGE TO ASSIST YOU IN VISUALIZING OUR PROPOSAL. THE DRAWING HEREIN IS THE PROPERTY OF SIGNCOMP. PERMISSION TO COPY OR REVISE THIS DRAWING OR TO USE THIS DRAWING FOR PRODUCTION IS STRICTLY PROHIBITED AND CAN ONLY BE COPIED, REVISED OR USED FOR PRODUCTION WITH THE EXPRESSED WRITTEN PERMISSION OF SIGNCOMP.

DRAWING BY:	SBreihof	6/11/2013
Centroid X:	0.000 in	
Centroid Y:	0.000 in	
Principal Moments Ix:	0.000 in <sup>4</sup>	
Principal Moments Iy:	0.000 in <sup>4</sup>	
Section Modulus Ix:	0.000 in <sup>3</sup>	
Section Modulus Iy:	0.000 in <sup>3</sup>	

**SignComp**

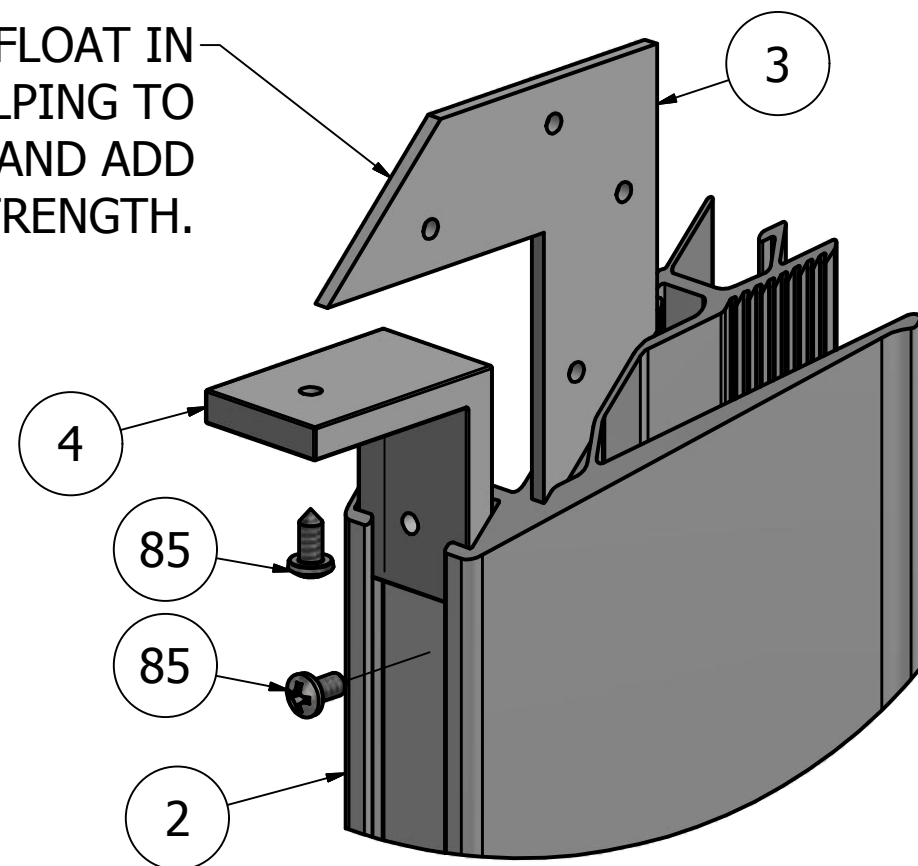
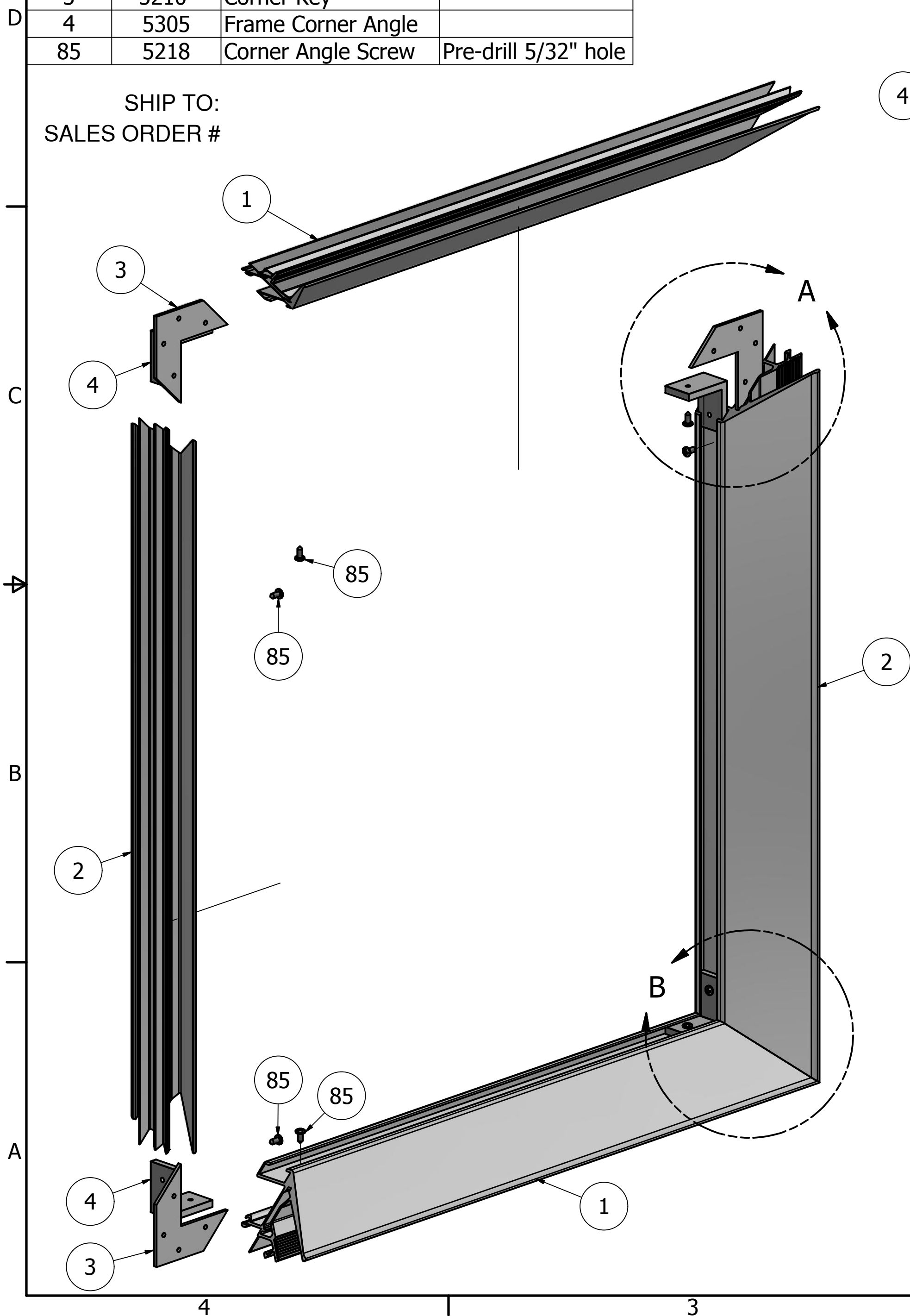
Retro Body - Assembly

TITLE	Retro Body - Assembly	
PART NO	<b>K2040</b>	REV
SHEET 1 OF 1		

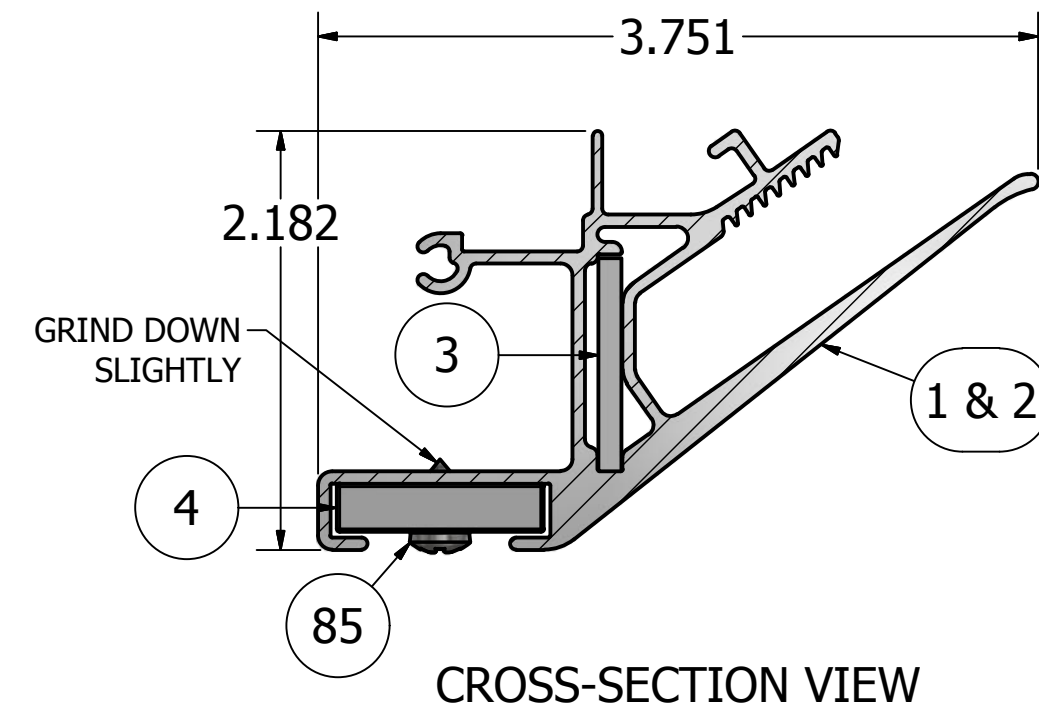
PARTS LIST			
ITEM	PART#	DESCRIPTION	NOTES
1	2086	Tension Frame II	Top & Bottom
2	2086	Tension Frame II	Sides
3	5210	Corner Key	
4	5305	Frame Corner Angle	
85	5218	Corner Angle Screw	Pre-drill 5/32" hole

THE CORNER KEYS FLOAT IN THE EXTRUSION HELPING TO ALIGN THE MITERS AND ADD STRENGTH.

SHIP TO:  
SALES ORDER #

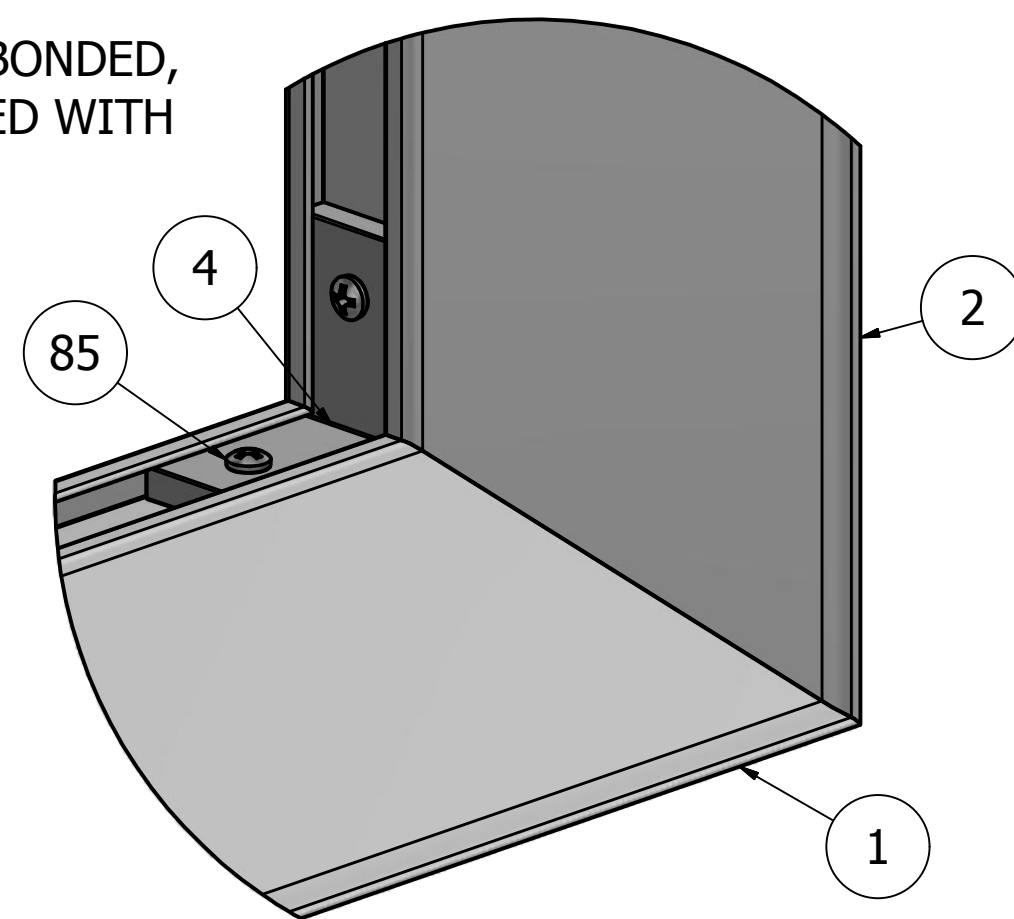


DETAIL A



CROSS-SECTION VIEW

NOTE: THIS FRAME MAY BE BONDED, WELDED OR ASSEMBLED WITH FASTENERS.

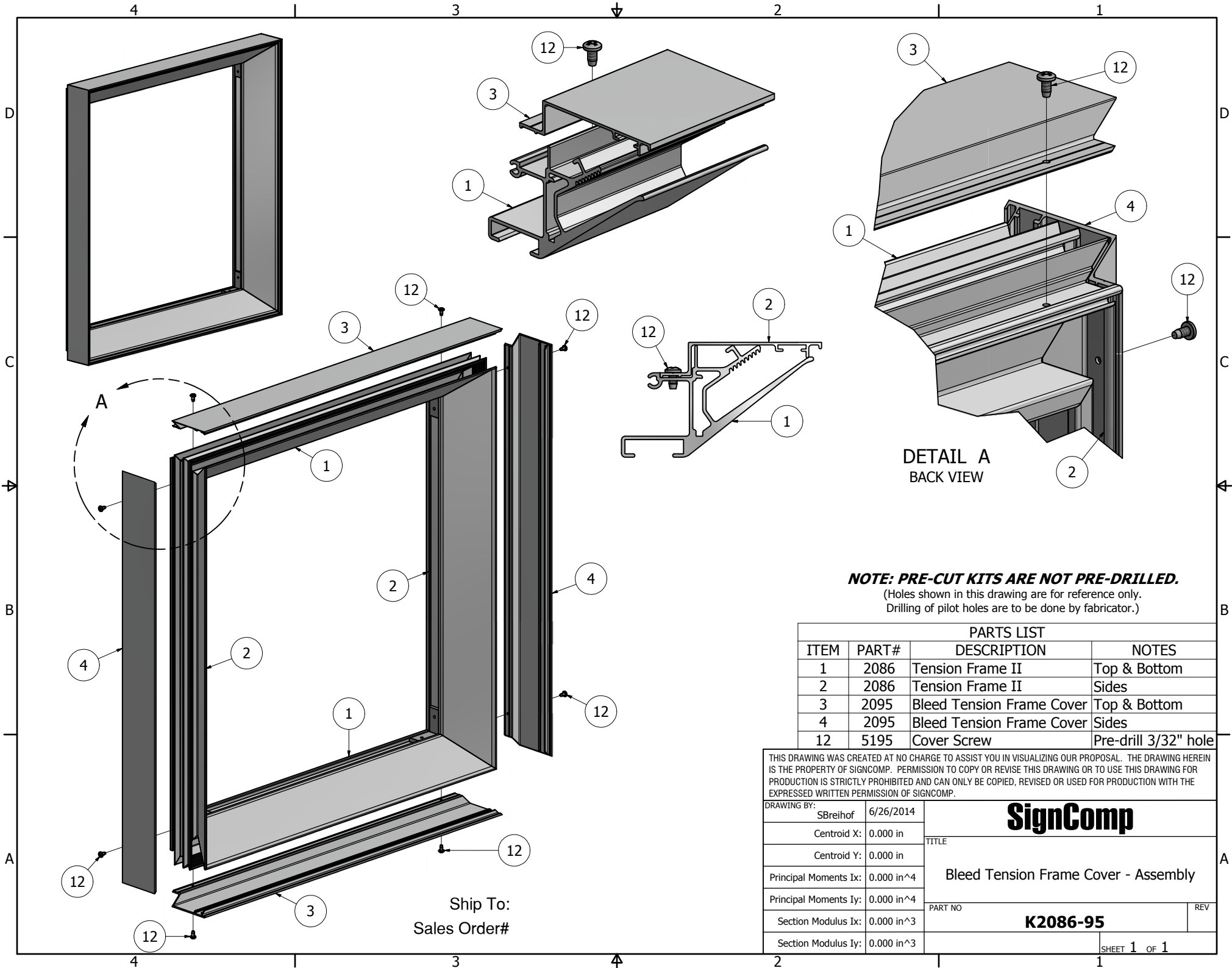


DETAIL B

**NOTE: PRE-CUT KITS ARE NOT PRE-DRILLED.**  
(Holes shown in this drawing are for reference only. Drilling of pilot holes are to be done by fabricator.)

THIS DRAWING WAS CREATED AT NO CHARGE TO ASSIST YOU IN VISUALIZING OUR PROPOSAL. THE DRAWING HEREIN IS THE PROPERTY OF SIGNCOMP. PERMISSION TO COPY OR REVISE THIS DRAWING OR TO USE THIS DRAWING FOR PRODUCTION IS STRICTLY PROHIBITED AND CAN ONLY BE COPIED, REVISED OR USED FOR PRODUCTION WITH THE EXPRESSED WRITTEN PERMISSION OF SIGNCOMP.

DRAWING BY:	SBreihof	4/24/2014	<b>SignComp</b>
Centroid X:	0.000 in	Centroid Y:	
Principal Moments Ix:	0.000 in <sup>4</sup>	Principal Moments Iy:	0.000 in <sup>4</sup>
Section Modulus Ix:	0.000 in <sup>3</sup>	Section Modulus Iy:	0.000 in <sup>3</sup>
TITLE			Tension Frame II - Assembly
PART NO			
REV			
SHEET 1 OF 1			



**DETAIL A  
BACK VIEW**

**NOTE: PRE-CUT KITS ARE NOT PRE-DRILLED.**  
 (Holes shown in this drawing are for reference only.  
 Drilling of pilot holes are to be done by fabricator.)

PARTS LIST			
ITEM	PART#	DESCRIPTION	NOTES
1	2086	Tension Frame II	Top & Bottom
2	2086	Tension Frame II	Sides
3	2095	Bleed Tension Frame Cover	Top & Bottom
4	2095	Bleed Tension Frame Cover	Sides
12	5195	Cover Screw	Pre-drill 3/32" hole

THIS DRAWING WAS CREATED AT NO CHARGE TO ASSIST YOU IN VISUALIZING OUR PROPOSAL. THE DRAWING HEREIN IS THE PROPERTY OF SIGNCOMP. PERMISSION TO COPY OR REVISE THIS DRAWING OR TO USE THIS DRAWING FOR PRODUCTION IS STRICTLY PROHIBITED AND CAN ONLY BE COPIED, REVISED OR USED FOR PRODUCTION WITH THE EXPRESSED WRITTEN PERMISSION OF SIGNCOMP.

DRAWING BY:	SBreihof	6/26/2014
Centroid X:	0.000 in	
Centroid Y:	0.000 in	
Principal Moments Ix:	0.000 in^4	
Principal Moments Iy:	0.000 in^4	
Section Modulus Ix:	0.000 in^3	
Section Modulus Iy:	0.000 in^3	

**SignComp**

TITLE  
**Bleed Tension Frame Cover - Assembly**

PART NO <b>K2086-95</b>	REV
----------------------------	-----

SHEET 1 OF 1

Ship To:  
Sales Order#