

2



1

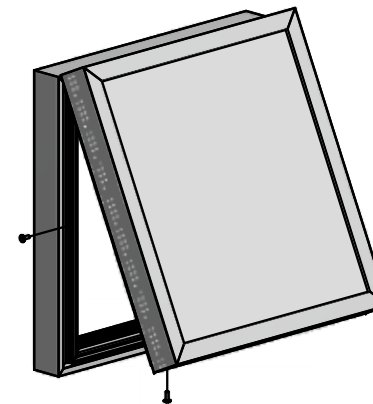
PARTS LIST

ITEM	PART #	DESCRIPTION	NOTES
1	K2021	Narrow Single Face Body	Assembly
2	K2086/84	Tension Frame II / 1-1/2" Frame Cover	Assembly
10	5170	Hinge Screw	Pre-drill a 3/8" hole - Top - 36" o/c
11	5180	Closure Screw	Pre-drill a 3/8" hole - Sides & Bottom - 48" o/c

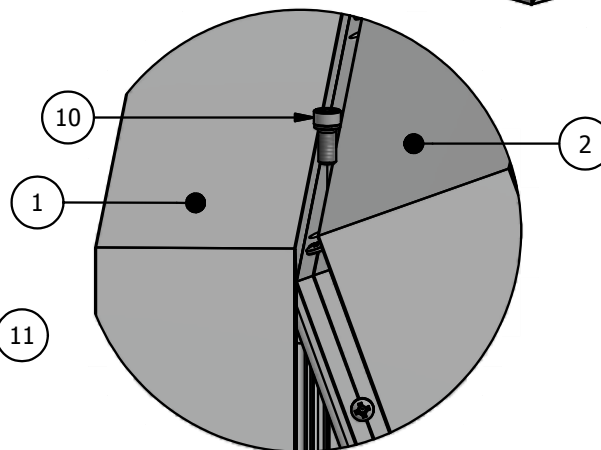
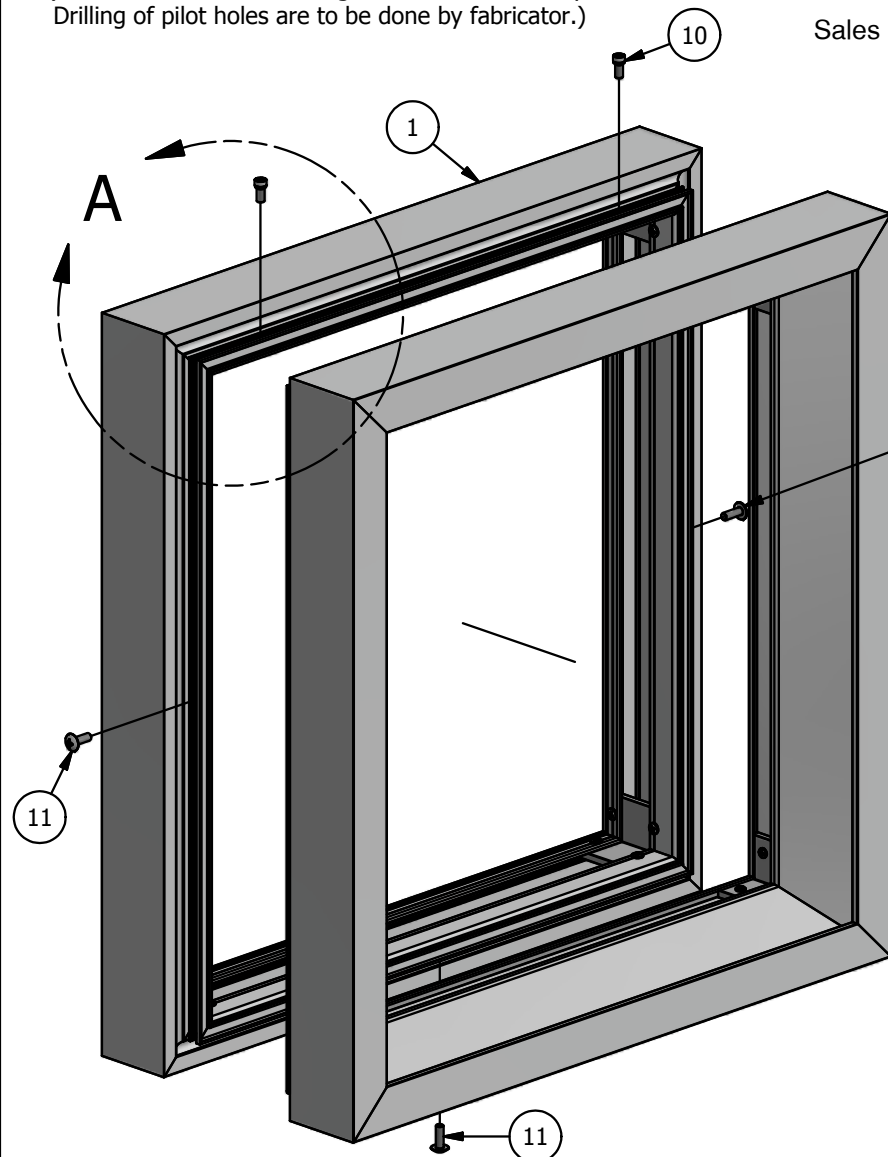
NOTE: PRE-CUT KITS ARE NOT PRE-DRILLED.

(Holes shown in this drawing are for reference only.
Drilling of pilot holes are to be done by fabricator.)

Ship To:
Sales Order #

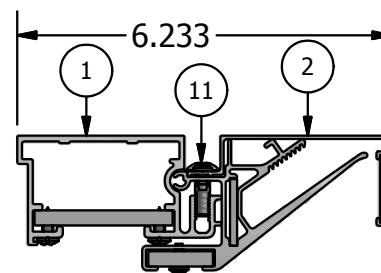


B

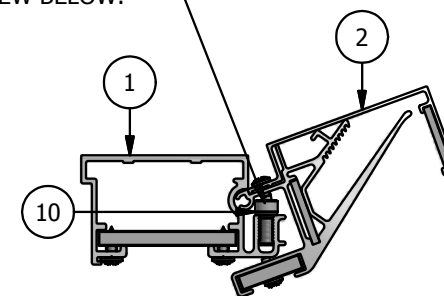


DETAIL A
FRAME HINGED

DRIVE THE HINGE SCREW DOWN INTO THE BODY SO THE HEAD OF THE SCREW IS UNDER THE RETAINER FLANGE AS SHOWN IN THE CROSS SECTION VIEW BELOW.



SIDE CROSS-SECTION
FRAME CLOSED



TOP CROSS-SECTION VIEW

2



1

THIS DRAWING WAS CREATED AT NO CHARGE TO ASSIST YOU IN VISUALIZING OUR PROPOSAL. THE DRAWING HEREIN IS THE PROPERTY OF SIGNCOMP. PERMISSION TO COPY OR REVISE THIS DRAWING OR TO USE THIS DRAWING FOR PRODUCTION IS STRICTLY PROHIBITED AND CAN ONLY BE COPIED, REVISED OR USED FOR PRODUCTION WITH THE EXPRESSED WRITTEN PERMISSION OF SIGNCOMP.

Part Name: Part Name

Part Number: Part Number

Revision:

Date: 4/2/2015

Drawing By: SBreihof

Sheet: 1 of 1

Size: A

SignComp

B

A

Parts List			
ITEM	PART#	DESCRIPTION	NOTES
1	2021	Narrow Single Face Body	Top & Bottom
2	2021	Narrow Single Face Body	Sides
3	5321	Narrow Body Corner Angle	
13	5218	Corner Angle Screw	Drill 5/32" pilot hole

Ship To:

Order Number:

D

C

B

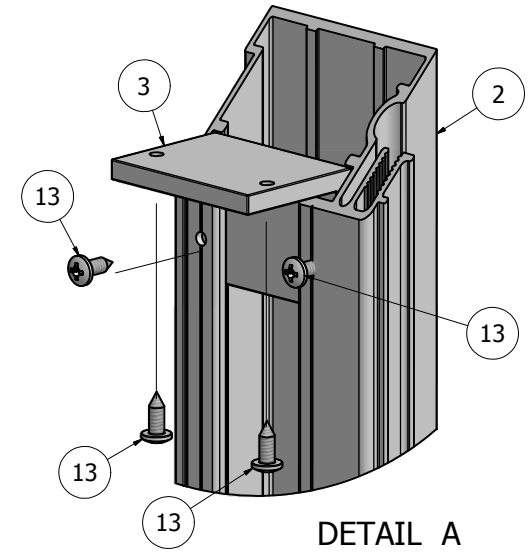
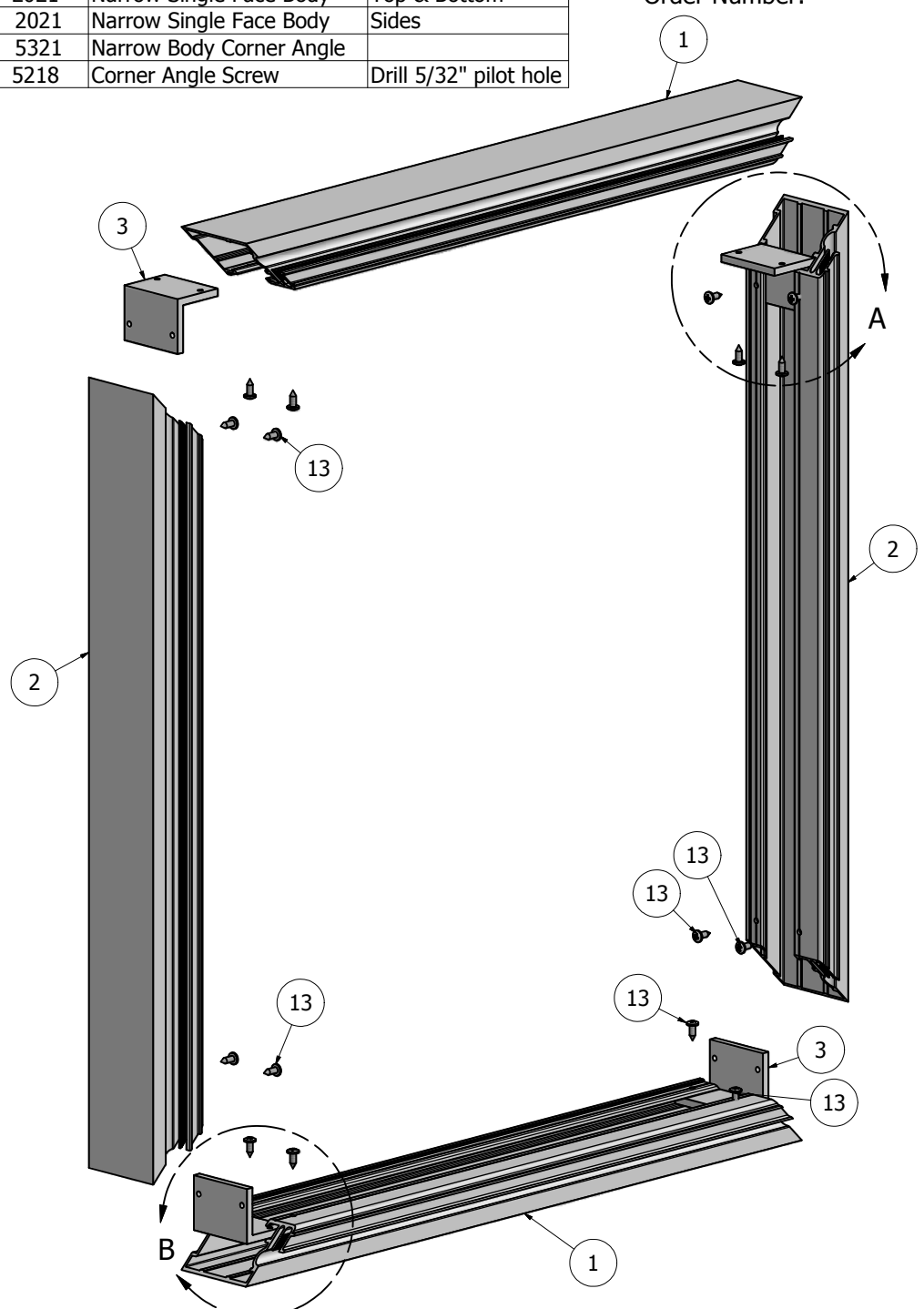
A

4

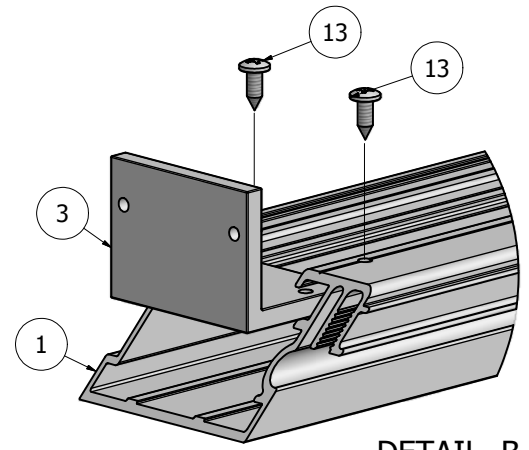
3

2

1



DETAIL A



DETAIL B

NOTE: PRE-CUT KITS ARE NOT PRE-DRILLED.
 (Holes shown in this drawing are for reference only.
 Drilling of pilot holes are to be done by fabricator.)

THIS DRAWING WAS CREATED AT NO CHARGE TO ASSIST YOU IN VISUALIZING OUR PROPOSAL. THE DRAWING HEREIN IS THE PROPERTY OF SIGNCOMP. PERMISSION TO COPY OR REVISE THIS DRAWING OR TO USE THIS DRAWING FOR PRODUCTION IS STRICTLY PROHIBITED AND CAN ONLY BE COPIED, REVISED OR USED FOR PRODUCTION WITH THE EXPRESSED WRITTEN PERMISSION OF SIGNCOMP.			<h1>SignComp</h1>		
DRAWN	Sarah	4/30/2012			TITLE
	Centroid X:	0.000 in			
	Centroid Y:	0.000 in			
	Principal Moments Ix:	0.000 in ⁴			
	Principal Moments Iy:	0.000 in ⁴			
	Section Modulus Ix:	0.000 in ³	DWG NO	K2021	
	Section Modulus Iy:	0.000 in ³		REV	
				SHEET 1 OF 1	

D

C

B

A

4

3

4

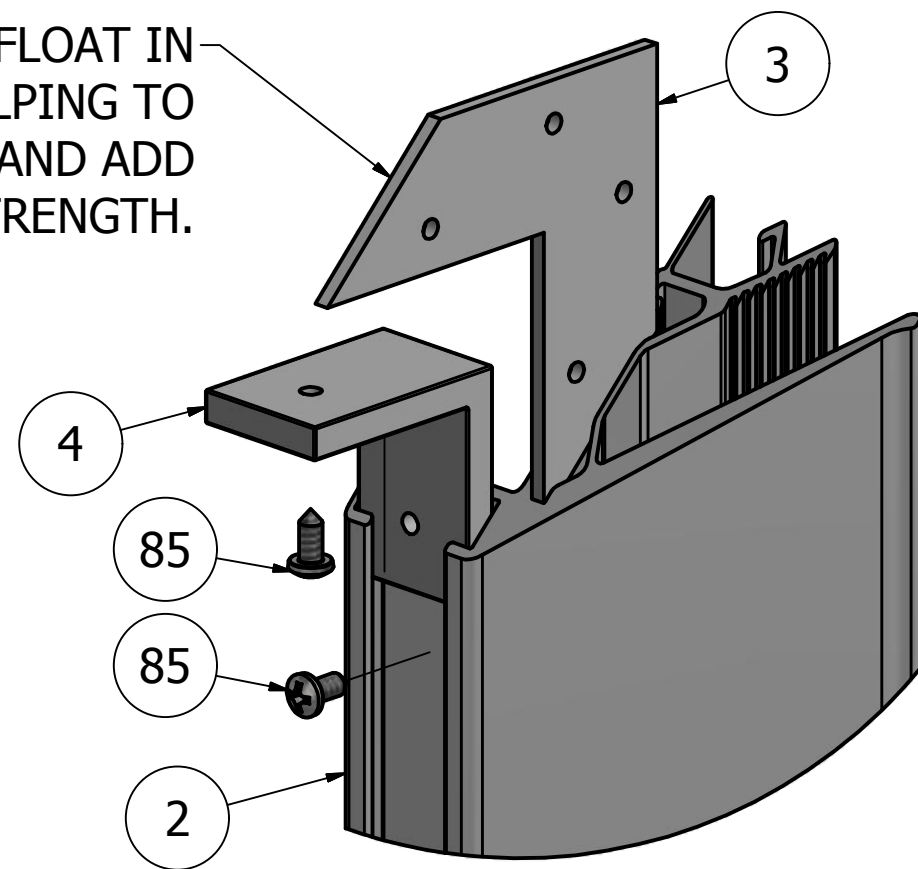
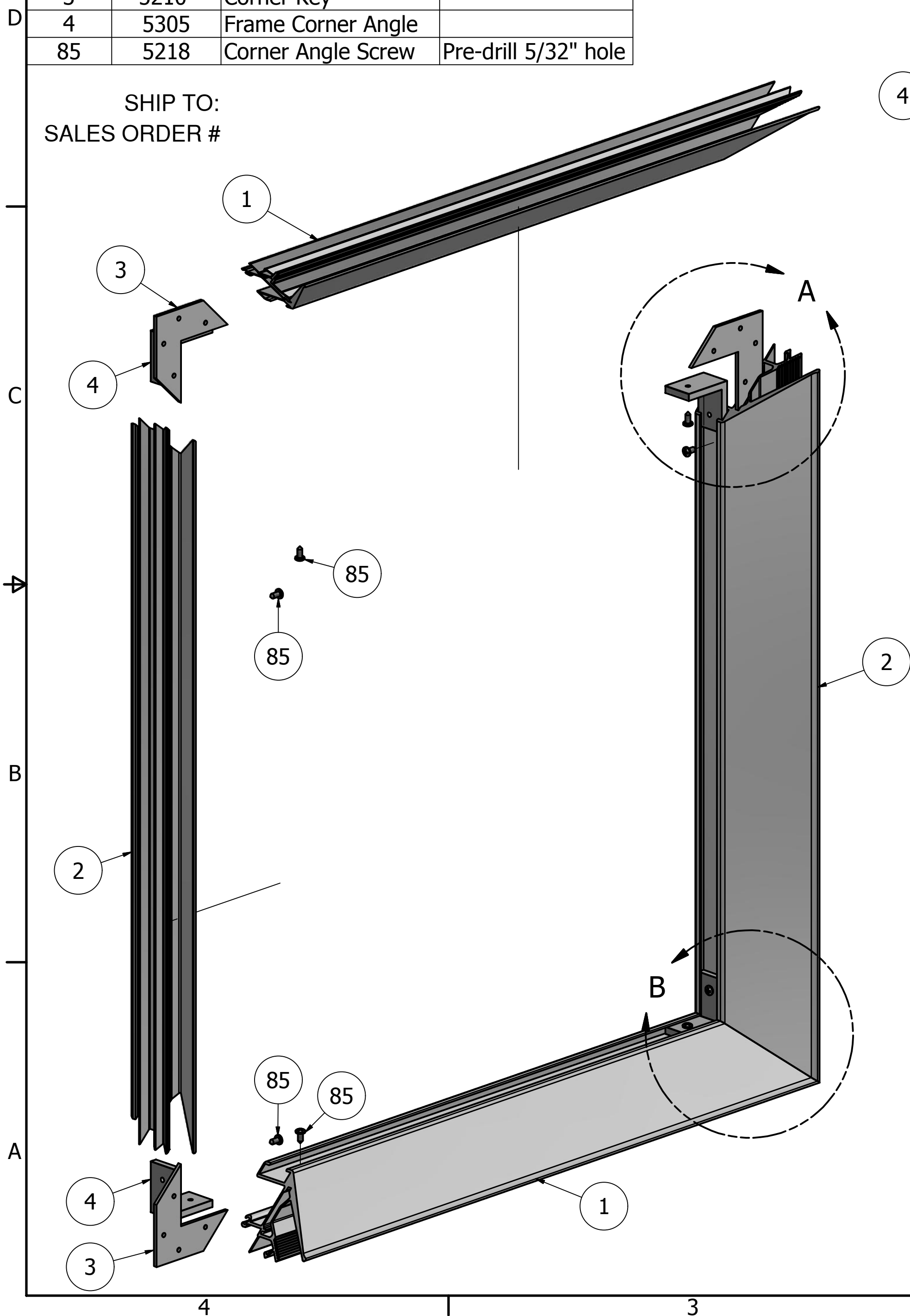
2

1

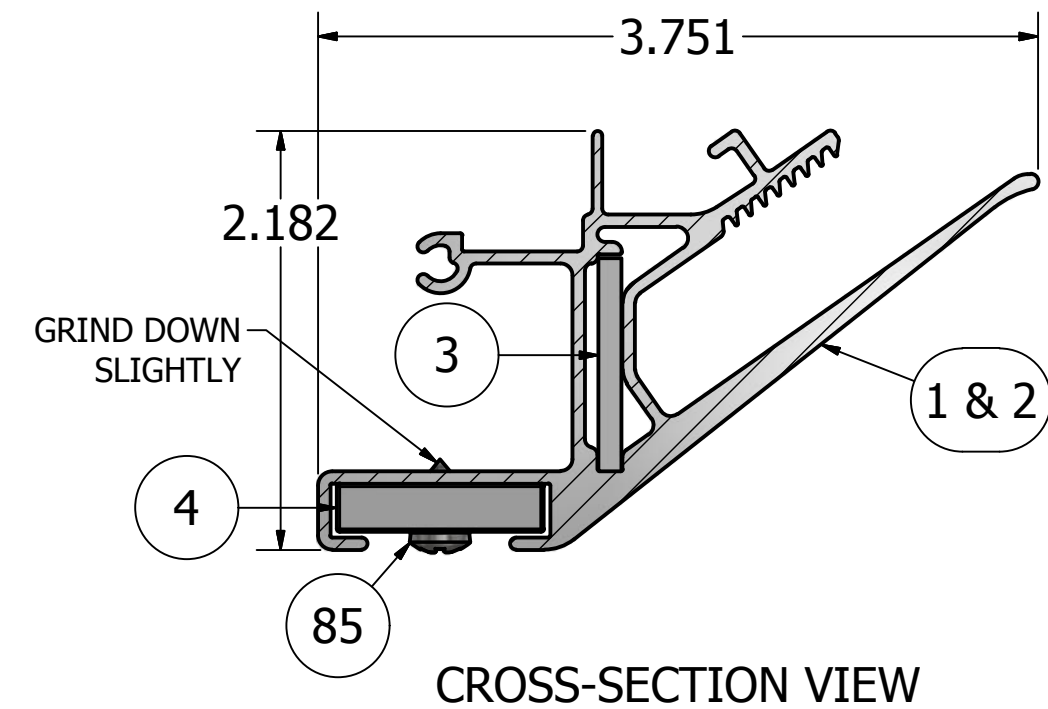
PARTS LIST			
ITEM	PART#	DESCRIPTION	NOTES
1	2086	Tension Frame II	Top & Bottom
2	2086	Tension Frame II	Sides
3	5210	Corner Key	
4	5305	Frame Corner Angle	
85	5218	Corner Angle Screw	Pre-drill 5/32" hole

THE CORNER KEYS FLOAT IN THE EXTRUSION HELPING TO ALIGN THE MITERS AND ADD STRENGTH.

SHIP TO:
SALES ORDER #

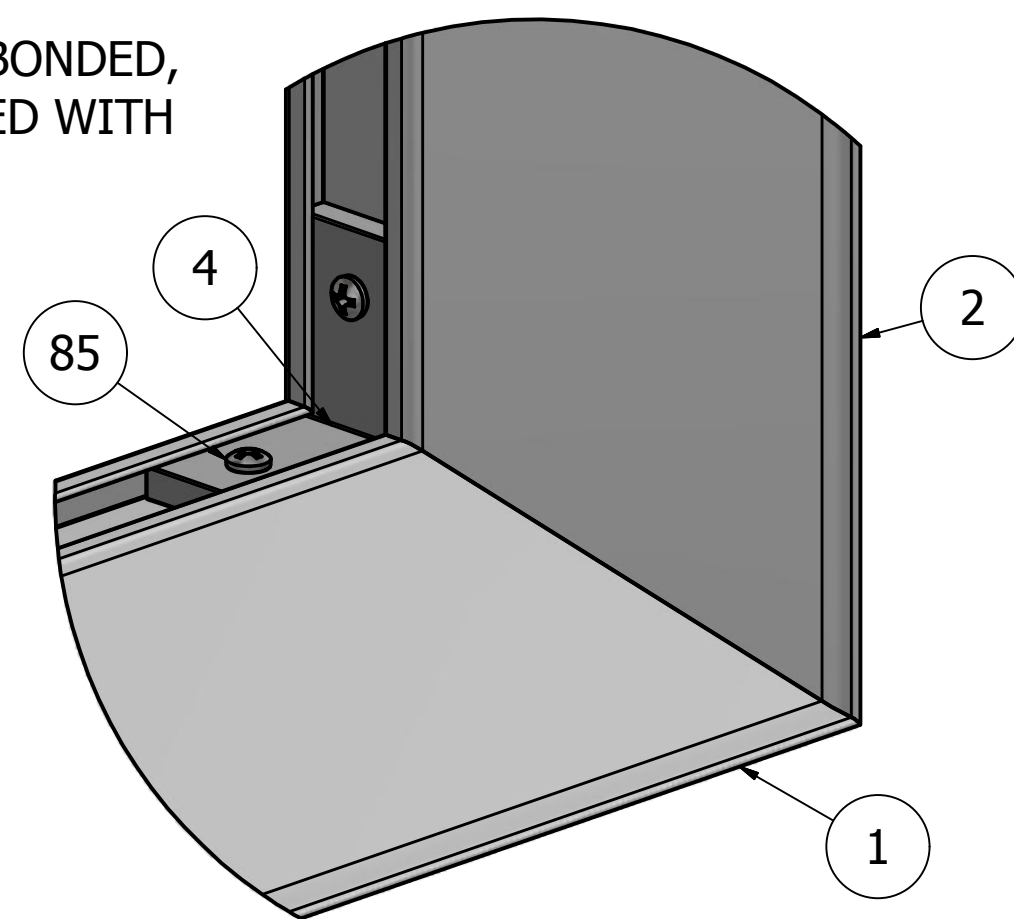


DETAIL A



CROSS-SECTION VIEW

NOTE: THIS FRAME MAY BE BONDED, WELDED OR ASSEMBLED WITH FASTENERS.



DETAIL B

NOTE: PRE-CUT KITS ARE NOT PRE-DRILLED.
(Holes shown in this drawing are for reference only. Drilling of pilot holes are to be done by fabricator.)

THIS DRAWING WAS CREATED AT NO CHARGE TO ASSIST YOU IN VISUALIZING OUR PROPOSAL. THE DRAWING HEREIN IS THE PROPERTY OF SIGNCOMP. PERMISSION TO COPY OR REVISE THIS DRAWING OR TO USE THIS DRAWING FOR PRODUCTION IS STRICTLY PROHIBITED AND CAN ONLY BE COPIED, REVISED OR USED FOR PRODUCTION WITH THE EXPRESSED WRITTEN PERMISSION OF SIGNCOMP.

DRAWING BY:	SBreihof	4/24/2014	SignComp
Centroid X:	0.000 in	Centroid Y:	
Principal Moments Ix:	0.000 in ⁴	Principal Moments Iy:	0.000 in ⁴
Section Modulus Ix:	0.000 in ³	Section Modulus Iy:	0.000 in ³
TITLE			Tension Frame II - Assembly
PART NO			K2086
REV			
SHEET			1 OF 1

2

1

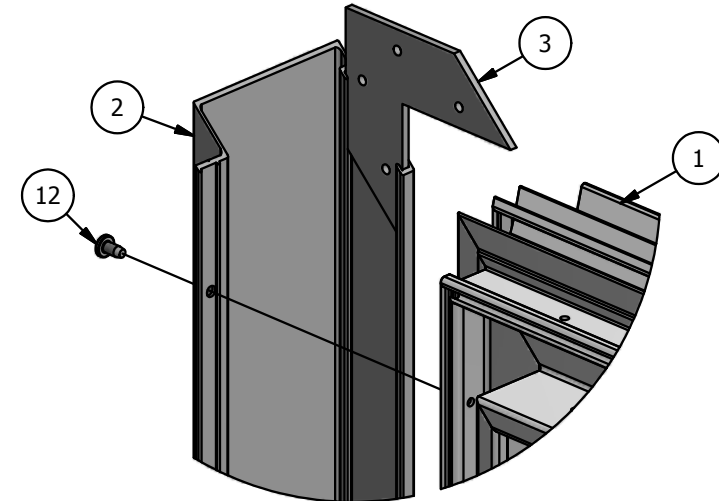
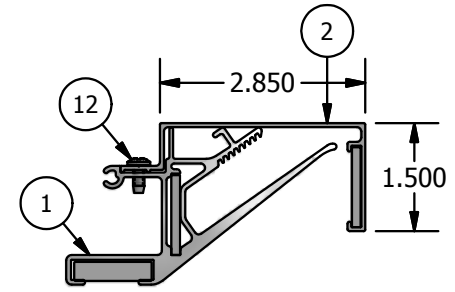
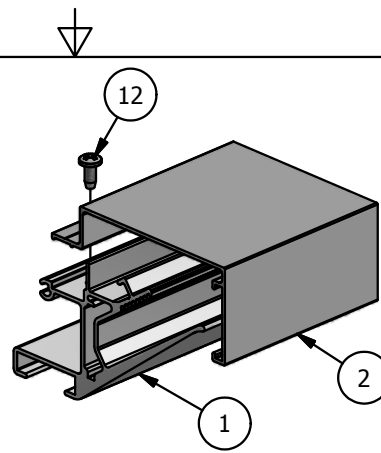
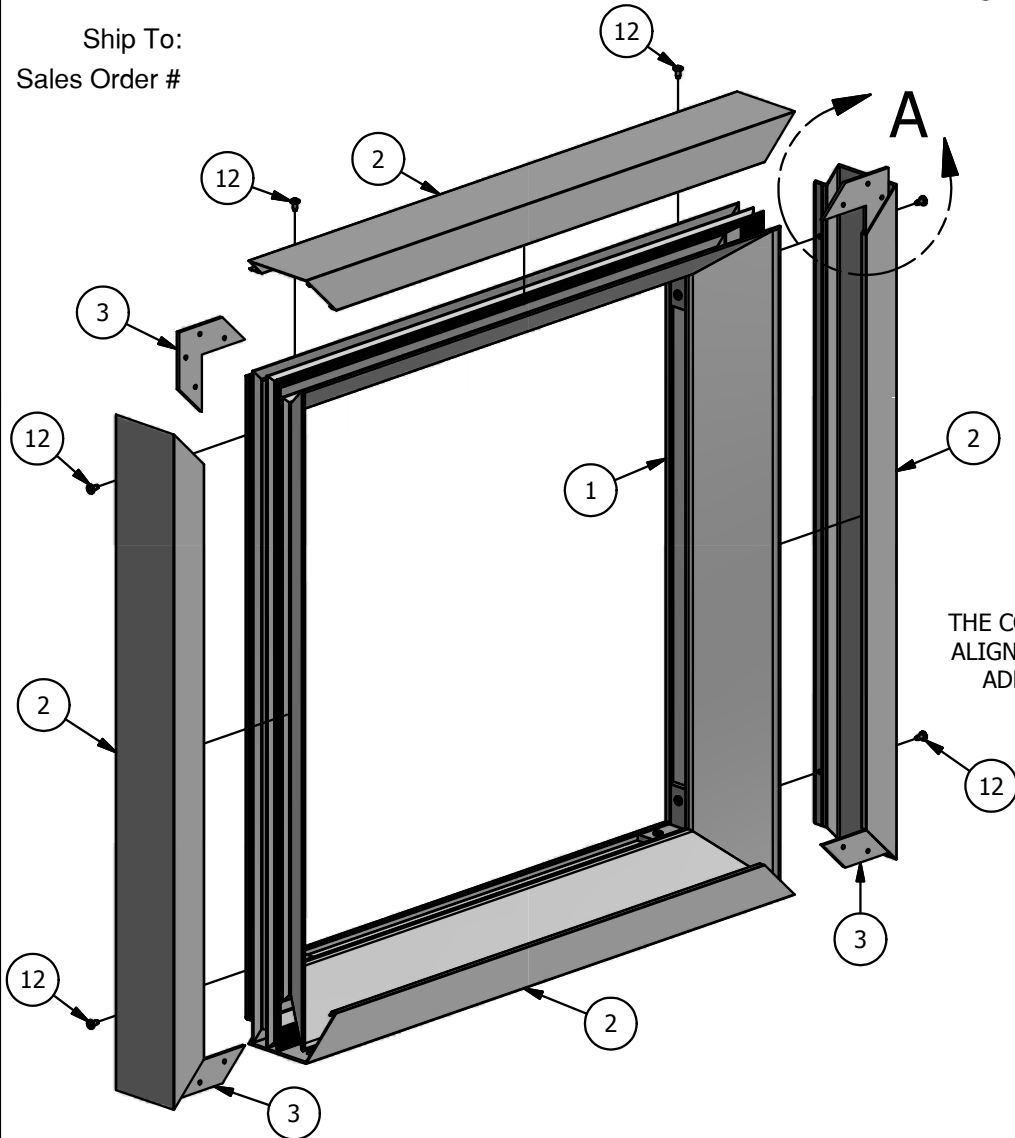
PARTS LIST

ITEM	PART #	DESCRIPTION	NOTES
1	K2086	Tension Frame II	Assembly
2	2084	1 1/2" Tension Frame Cover	All Sides
3	5210	Corner Key	
12	5195	Cover Screw	Pre-drill 1/8" holes 24" o/c

NOTE: PRE-CUT KITS ARE NOT PRE-DRILLED.

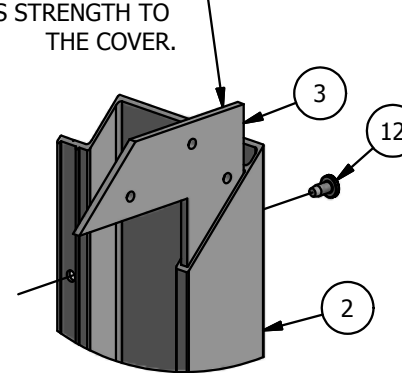
(Holes shown in this drawing are for reference only.
Drilling of pilot holes are to be done by fabricator.)

Ship To:
Sales Order #

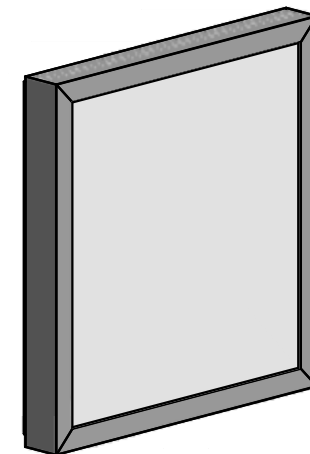


DETAIL A
BACK VIEW

THE CORNER KEY HELPS
ALIGN THE MITRES AND
ADDS STRENGTH TO
THE COVER.



DETAIL A
FRONT VIEW



THIS DRAWING WAS CREATED AT NO CHARGE TO ASSIST YOU IN VISUALIZING OUR PROPOSAL. THE DRAWING HEREIN IS THE PROPERTY OF SIGNCOMP. PERMISSION TO COPY OR REVISE THIS DRAWING OR TO USE THIS DRAWING FOR PRODUCTION IS STRICTLY PROHIBITED AND CAN ONLY BE COPIED, REVISED OR USED FOR PRODUCTION WITH THE EXPRESSED WRITTEN PERMISSION OF SIGNCOMP.

Part Name: Part Name

Part Number: Part Number

Revision:

Date: 3/31/2015

Drawing By: SBreihof

Sheet: 1 of 1

Size: A

SignComp

B

B

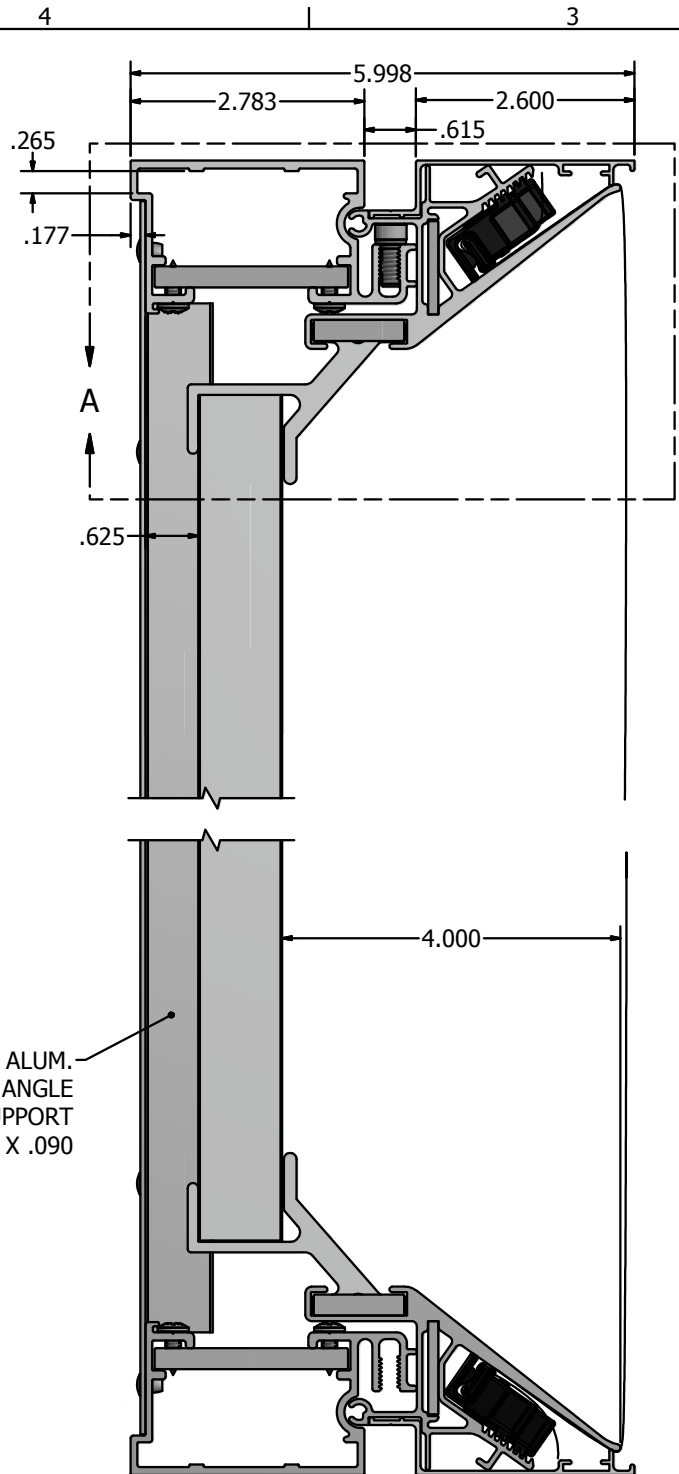
A

A

2

1

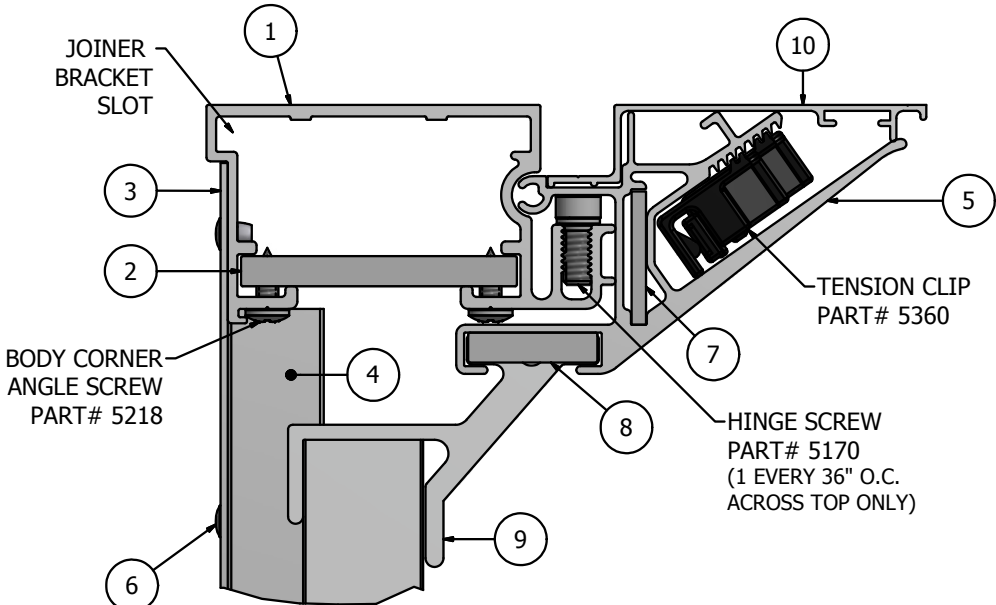
1



NOTE: FRAME BRACING GUIDELINES APPLY FOR BOTH THE BLEED AND FRAMED COVERS.

NOTE: THE NARROW SINGLE FACE BODY IS DESIGNED FOR LED APPLICATION.

PARTS LIST		
ITEM	PART#	DESCRIPTION
1	2021	Narrow Single Face Body
2	5321	Narrow Body Corner Angle
3		Aluminum Back
4		Aluminum Back Support - Frame Suport Tube #2175
5	2086	Tension Frame II
6		Rivet
7	5210	Corner Key
8	5305	Frame Corner Angle
9	5352	Small Frame Brace
10	2095	Bleed Tension Frame Cover
11	2177	Small Frame Support Tube - 1"



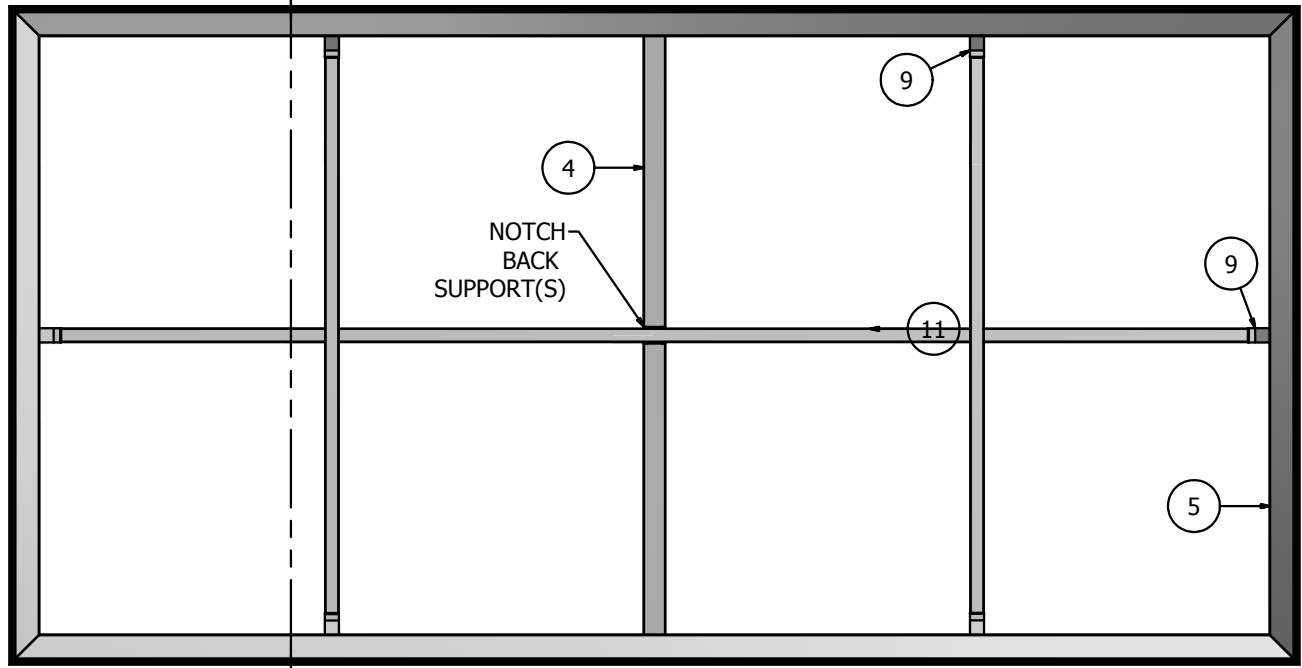
DETAIL A

NOTE: PRE-CUT KITS ARE NOT PRE-DRILLED.
(Holes shown in this drawing are for reference only. Drilling of pilot holes are to be done by fabricator.)

THIS DRAWING WAS CREATED AT NO CHARGE TO ASSIST YOU IN VISUALIZING OUR PROPOSAL. THE DRAWING HEREIN IS THE PROPERTY OF SIGNCOMP. PERMISSION TO COPY OR REVISE THIS DRAWING OR TO USE THIS DRAWING FOR PRODUCTION IS STRICTLY PROHIBITED AND CAN ONLY BE COPIED, REVISED OR USED FOR PRODUCTION WITH THE EXPRESSED WRITTEN PERMISSION OF SIGNCOMP.

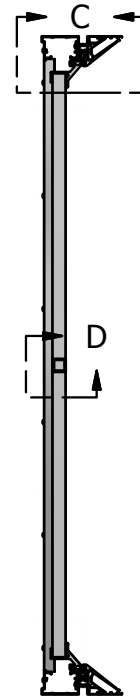
DRAWING BY:	SBreihof	6/11/2014
Centroid X:	0.000 in	
Centroid Y:	0.000 in	
Principal Moments Ix:	0.000 in ⁴	
Principal Moments Iy:	0.000 in ⁴	
Section Modulus Ix:	0.000 in ³	
Section Modulus Iy:	0.000 in ³	

SignComp	
TITLE Narrow Single Face Body w/ Tension Frame II and Bleed Cover - Cross Sectional Details	
PART NO	REV
2021-86-95 with 5352	
SHEET 1 OF 2	



NOTCH
BACK
SUPPORT(S)

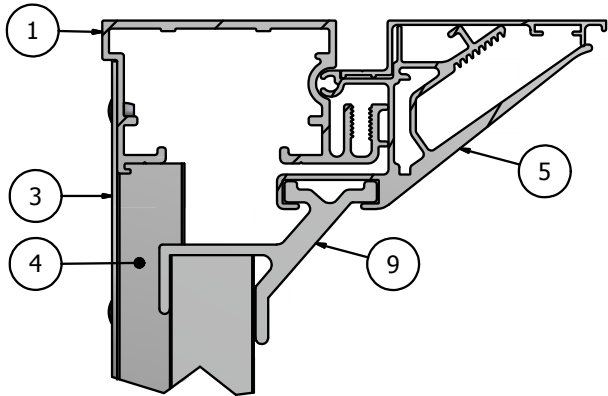
FRONT VIEW



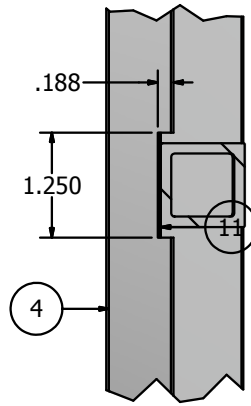
SECTION B-B

NOTE: NOTCHING IS BASED ON THE USE OF SIGNCOMP #2175 FRAME SUPPORT TUBE FOR BACK SUPPORT OR A BRAKE FORMED ALUMINUM SUPPORT 2" x 3/4" x .090, AND 1" SQ TUBE FOR COMPRESSION BRACING.

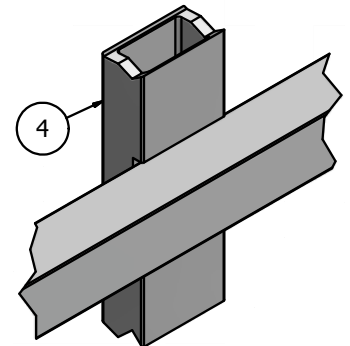
NOTE: NOTCH THE BACK SUPPORT(S) AS SHOWN, TO ACCOMMODATE THE HORIZONTAL FRAME SUPPORT(S). DIMENSIONS MAY VARY PENDING ON THE SIZE OF SUPPORTS USED.



DETAIL C



DETAIL D



DETAIL D

THIS DRAWING WAS CREATED AT NO CHARGE TO ASSIST YOU IN VISUALIZING OUR PROPOSAL. THE DRAWING HEREIN IS THE PROPERTY OF SIGNCOMP. PERMISSION TO COPY OR REVISE THIS DRAWING OR TO USE THIS DRAWING FOR PRODUCTION IS STRICTLY PROHIBITED AND CAN ONLY BE COPIED, REVISED OR USED FOR PRODUCTION WITH THE EXPRESSED WRITTEN PERMISSION OF SIGNCOMP.

DRAWING BY:	SBreihof	6/11/2014
Centroid X:	0.000 in	
Centroid Y:	0.000 in	
Principal Moments Ix:	0.000 in ⁴	
Principal Moments Iy:	0.000 in ⁴	
Section Modulus Ix:	0.000 in ³	
Section Modulus Iy:	0.000 in ³	

<h1>SignComp</h1>		TITLE
		<p>Narrow Single Face Body w/ Tension Frame II and Bleed Cover - Cross Sectional Details</p>
PART NO	<p>2021-86-95 with 5352</p>	REV
SHEET 2 OF 2		