

2



1

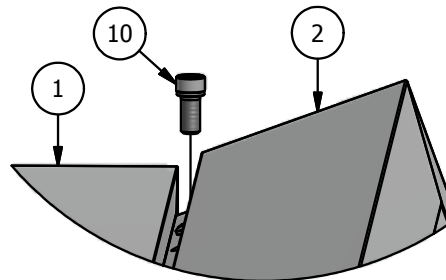
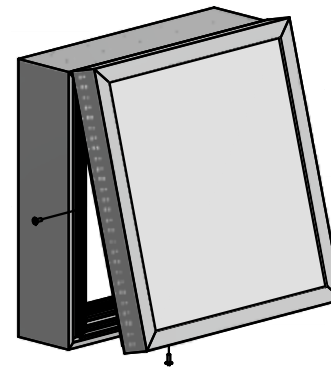
PARTS LIST

ITEM	PART#	DESCRIPTION	NOTES
1	K2025	Single Face Body	Assembly
2	K2086/84	Tension Frame II / 1-1/2" Frame Cover	Assembly
10	5170	Hinge Screw	Pre-drill a 3/8" hole - Top - 36" o/c
11	5180	Closure Screw	Pre-drill a 3/8" hole - Sides & Bottom - 48" o/c

NOTE: PRE-CUT KITS ARE NOT PRE-DRILLED.

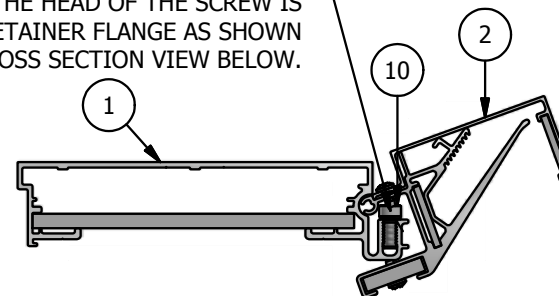
(Holes shown in this drawing are for reference only.
Drilling of pilot holes are to be done by fabricator.)

Ship To:
Sales Order #

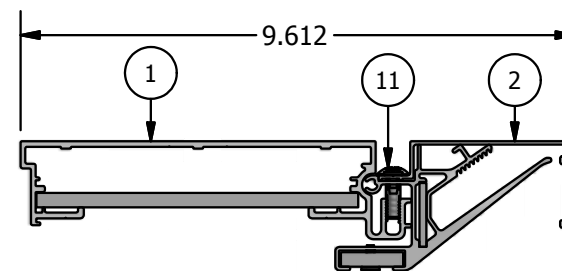


DETAIL A
FRAME HINGED

DRIVE THE HINGE SCREW DOWN INTO THE BODY SO THE HEAD OF THE SCREW IS UNDER THE RETAINER FLANGE AS SHOWN IN THE CROSS SECTION VIEW BELOW.



TOP CROSS-SECTION VIEW



SIDE CROSS-SECTION
FRAME CLOSED

THIS DRAWING WAS CREATED AT NO CHARGE TO ASSIST YOU IN VISUALIZING OUR PROPOSAL. THE DRAWING HEREIN IS THE PROPERTY OF SIGNCOMP. PERMISSION TO COPY OR REVISE THIS DRAWING OR TO USE THIS DRAWING FOR PRODUCTION IS STRICTLY PROHIBITED AND CAN ONLY BE COPIED, REVISED OR USED FOR PRODUCTION WITH THE EXPRESSED WRITTEN PERMISSION OF SIGNCOMP.

Part Name: Single Face Body w/ Tension Frame II & 1-1/2" Frame Cover
 Revision: KSF/86/84
 Date: 4/6/2015
 Drawing By: SBreihof
 Sheet: 1 of 1
 Size: A

SignComp

A

B

B

A

2



1

Parts List			
ITEM	PART #	DESCRIPTION	NOTES
1	2025	Single Face Body	Top & Bottom
2	2025	Single Face Body	Sides
3	5322	Single Face Body Corner Angle	
13	5218	Corner Angle Screw	Drill 5/32" Pilot Hole

Ship To:
Sales Order#

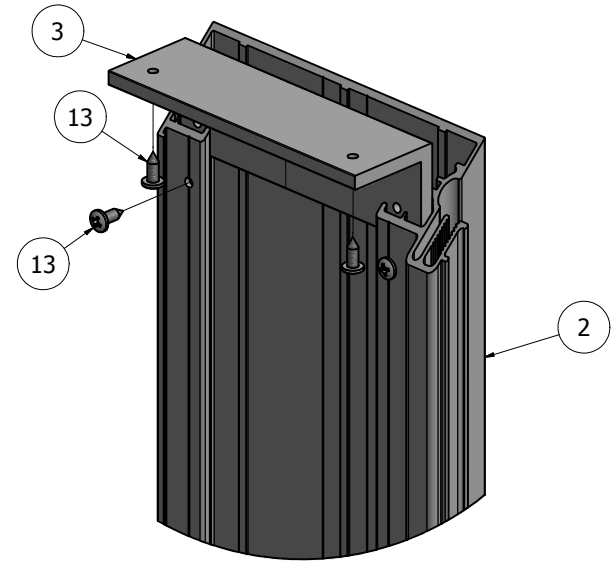
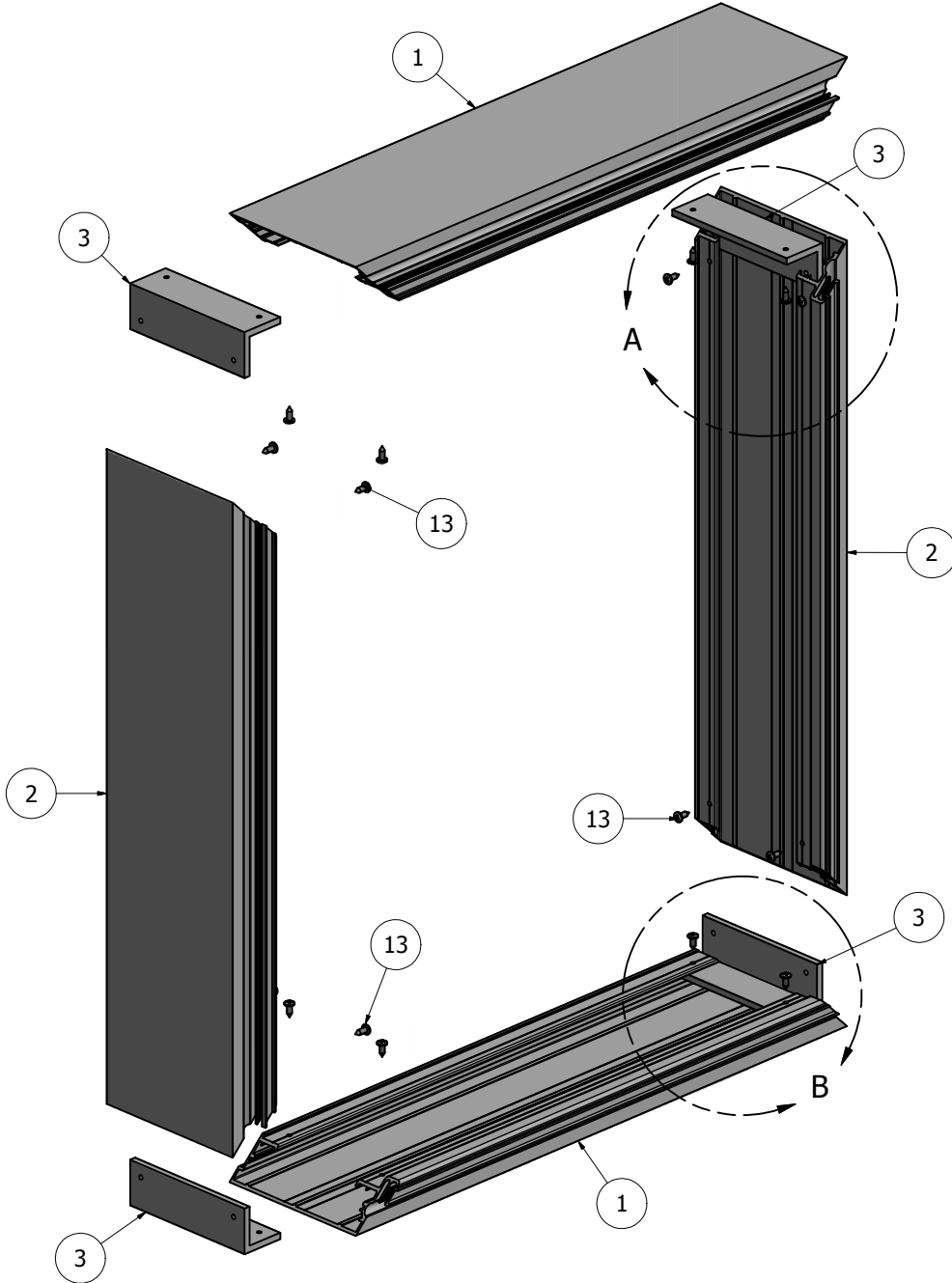
D

C

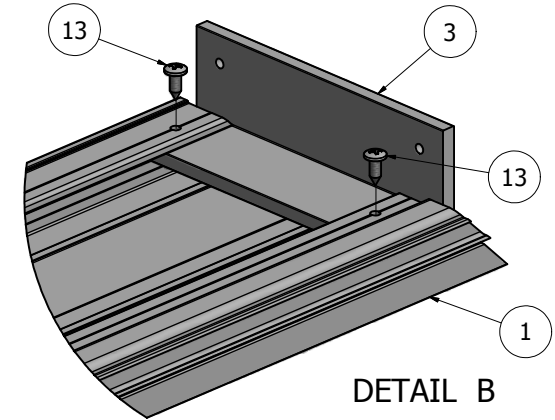
B

A

A



DETAIL A



DETAIL B

NOTE: PRE-CUT KITS ARE NOT PRE-DRILLED.
(Holes shown in this drawing are for reference only.
Drilling of pilot holes are to be done by fabricator.)

THIS DRAWING WAS CREATED AT NO CHARGE TO ASSIST YOU IN VISUALIZING OUR PROPOSAL. THE DRAWING HEREIN IS THE PROPERTY OF SIGNCOMP. PERMISSION TO COPY OR REVISE THIS DRAWING OR TO USE THIS DRAWING FOR PRODUCTION IS STRICTLY PROHIBITED AND CAN ONLY BE COPIED, REVISED OR USED FOR PRODUCTION WITH THE EXPRESSED WRITTEN PERMISSION OF SIGNCOMP.

DRAWN	Sarah	3/2/2012	SignComp	
Centroid X:	0.000 in			
Centroid Y:	0.000 in		TITLE	
Principal Moments Ix:	0.000 in ⁴		Single Face Body - Assembly	
Principal Moments Iy:	0.000 in ⁴		DWG NO	REV
Section Modulus Ix:	0.000 in ³		K2025	
Section Modulus Iy:	0.000 in ³		SHEET 1 OF 1	

4

3

2

1

4

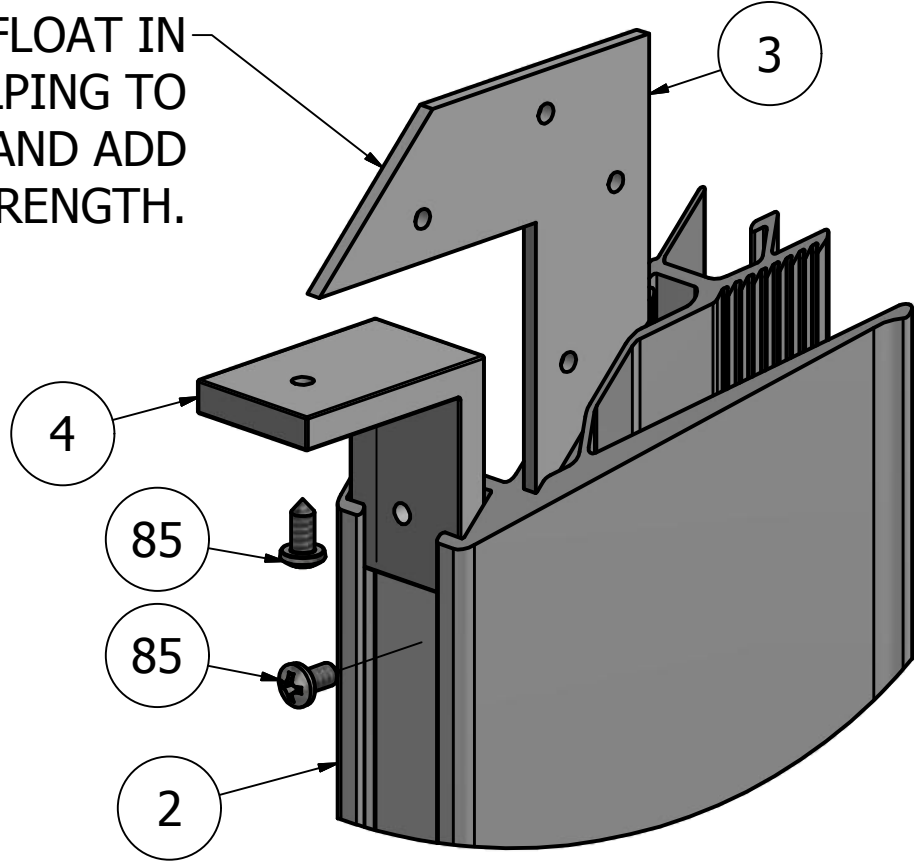
3

2

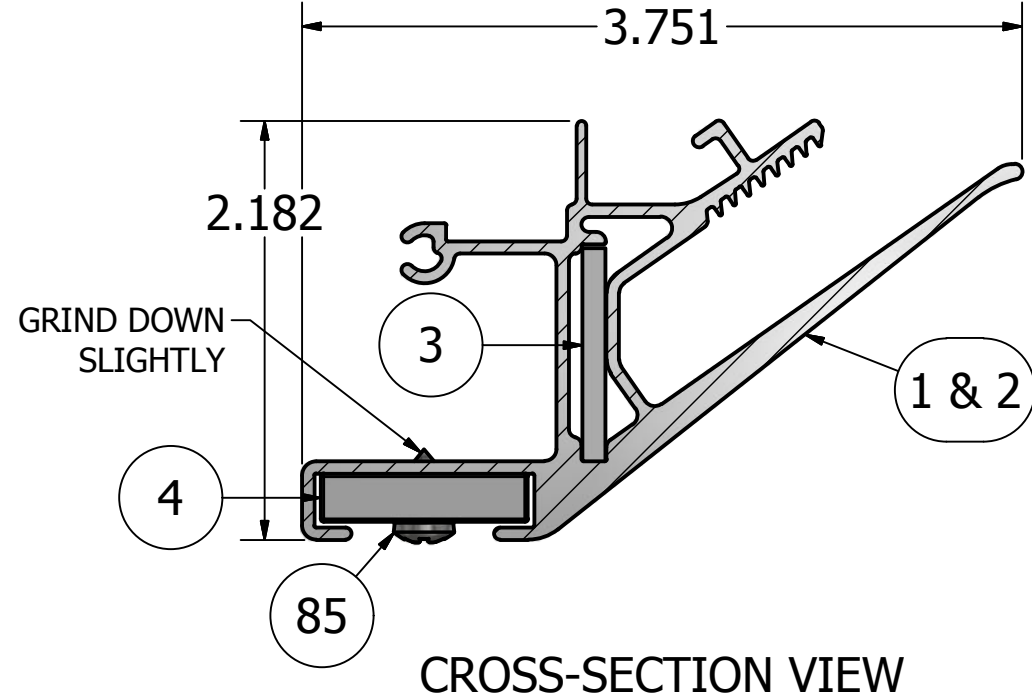
1

PARTS LIST			
ITEM	PART#	DESCRIPTION	NOTES
1	2086	Tension Frame II	Top & Bottom
2	2086	Tension Frame II	Sides
3	5210	Corner Key	
4	5305	Frame Corner Angle	
85	5218	Corner Angle Screw	Pre-drill 5/32" hole

THE CORNER KEYS FLOAT IN THE EXTRUSION HELPING TO ALIGN THE MITERS AND ADD STRENGTH.

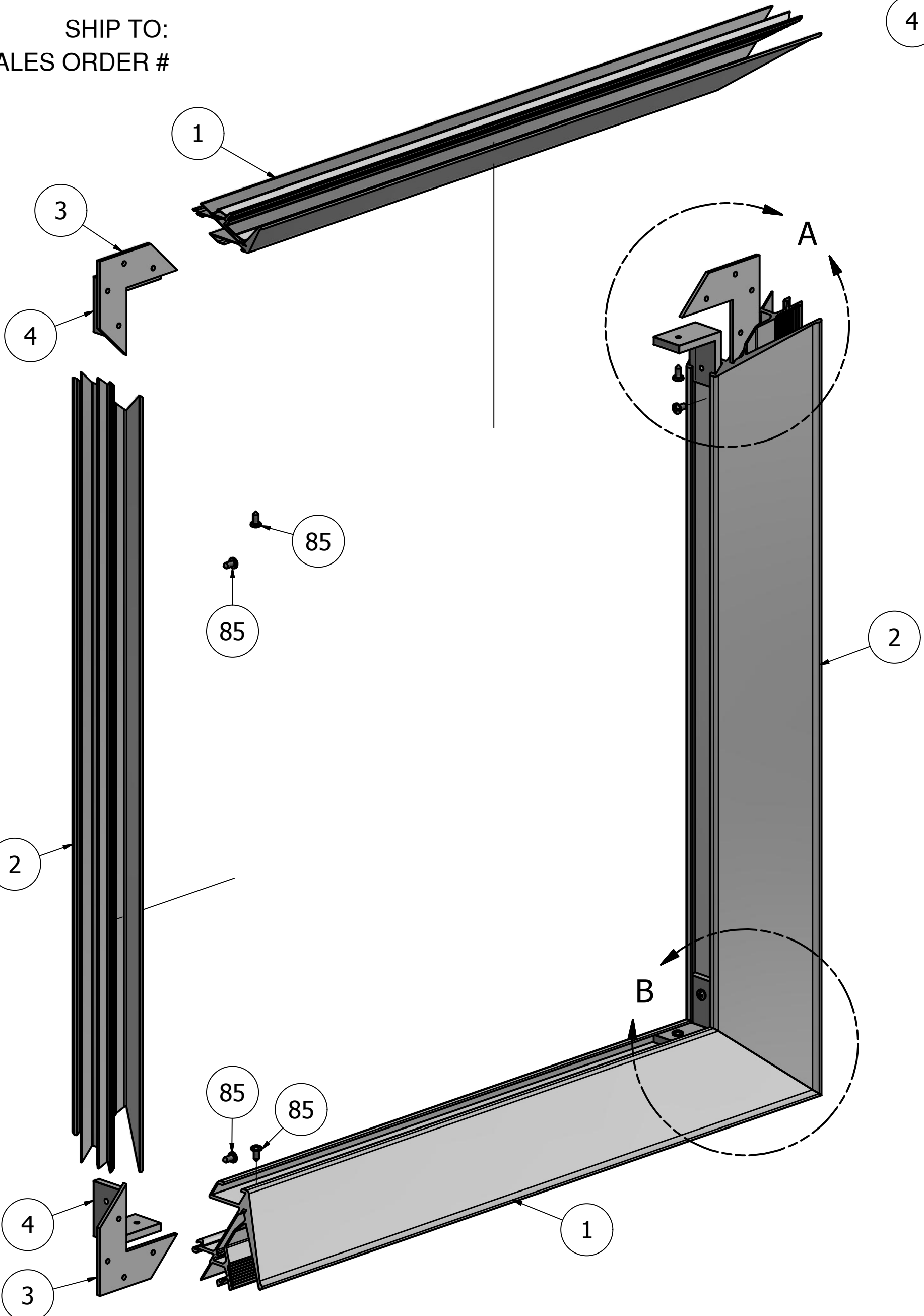


DETAIL A

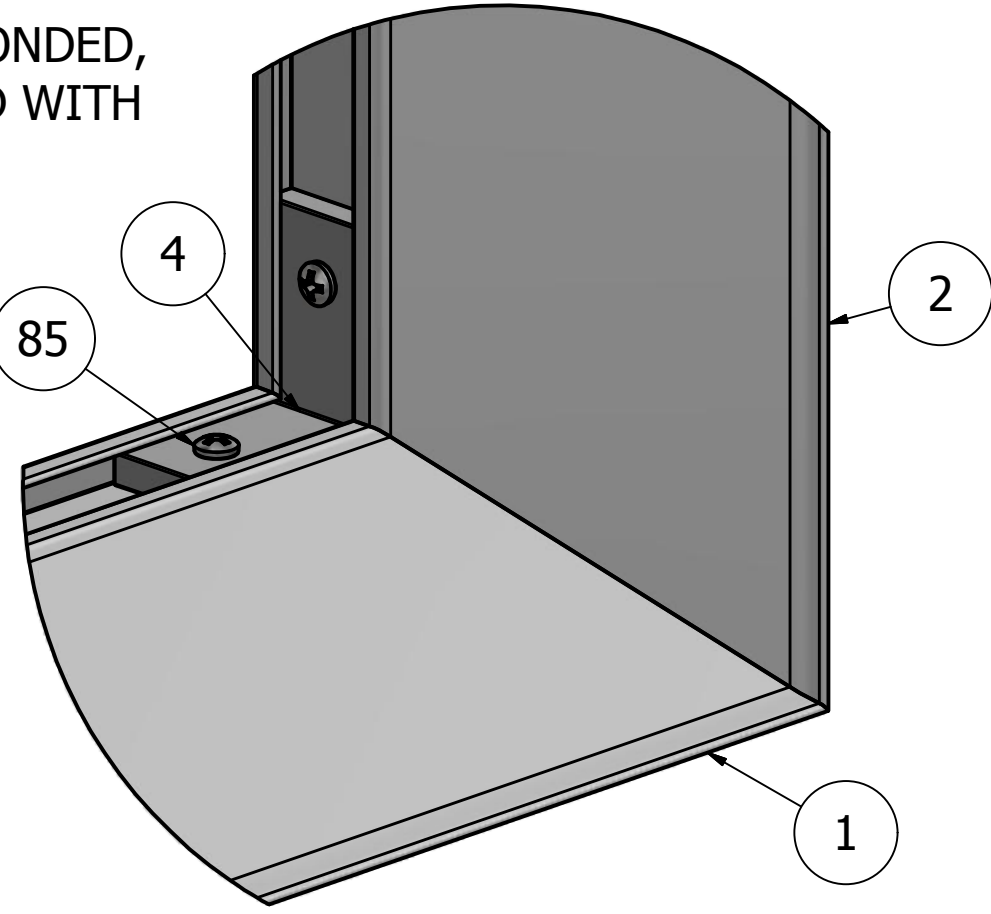


CROSS-SECTION VIEW

SHIP TO:
SALES ORDER #



NOTE: THIS FRAME MAY BE BONDED, WELDED OR ASSEMBLED WITH FASTENERS.



DETAIL B

NOTE: PRE-CUT KITS ARE NOT PRE-DRILLED.
(Holes shown in this drawing are for reference only. Drilling of pilot holes are to be done by fabricator.)

THIS DRAWING WAS CREATED AT NO CHARGE TO ASSIST YOU IN VISUALIZING OUR PROPOSAL. THE DRAWING HEREIN IS THE PROPERTY OF SIGNCOMP. PERMISSION TO COPY OR REVISE THIS DRAWING OR TO USE THIS DRAWING FOR PRODUCTION IS STRICTLY PROHIBITED AND CAN ONLY BE COPIED, REVISED OR USED FOR PRODUCTION WITH THE EXPRESSED WRITTEN PERMISSION OF SIGNCOMP.

DRAWING BY:	SBreihof	4/24/2014	SignComp
Centroid X:	0.000 in		
Centroid Y:	0.000 in		TITLE
Principal Moments Ix:	0.000 in ⁴		Tension Frame II - Assembly
Principal Moments Iy:	0.000 in ⁴		PART NO
Section Modulus Ix:	0.000 in ³		K2086
Section Modulus Iy:	0.000 in ³		REV
			SHEET 1 OF 1

2

1

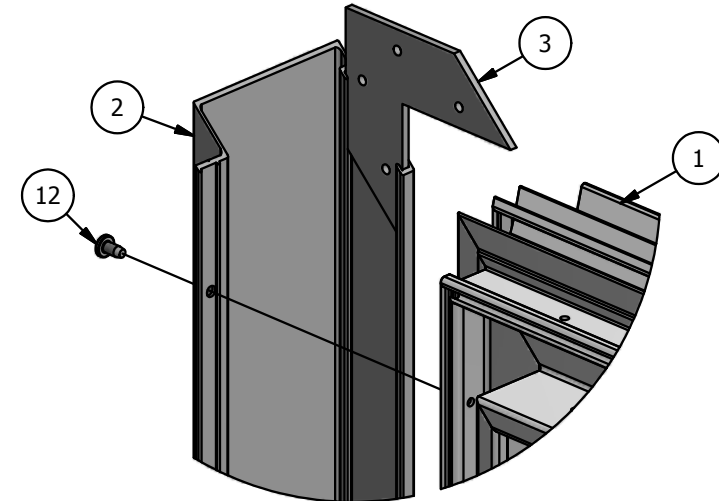
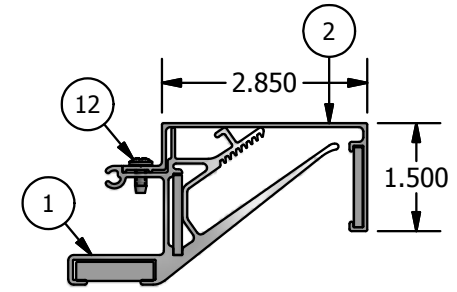
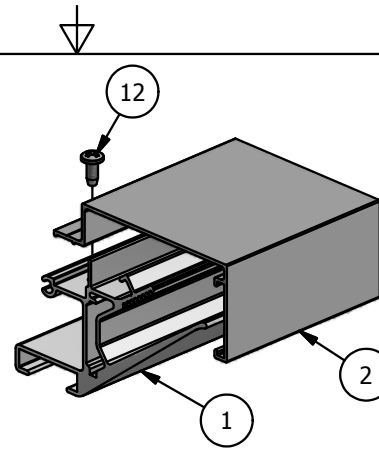
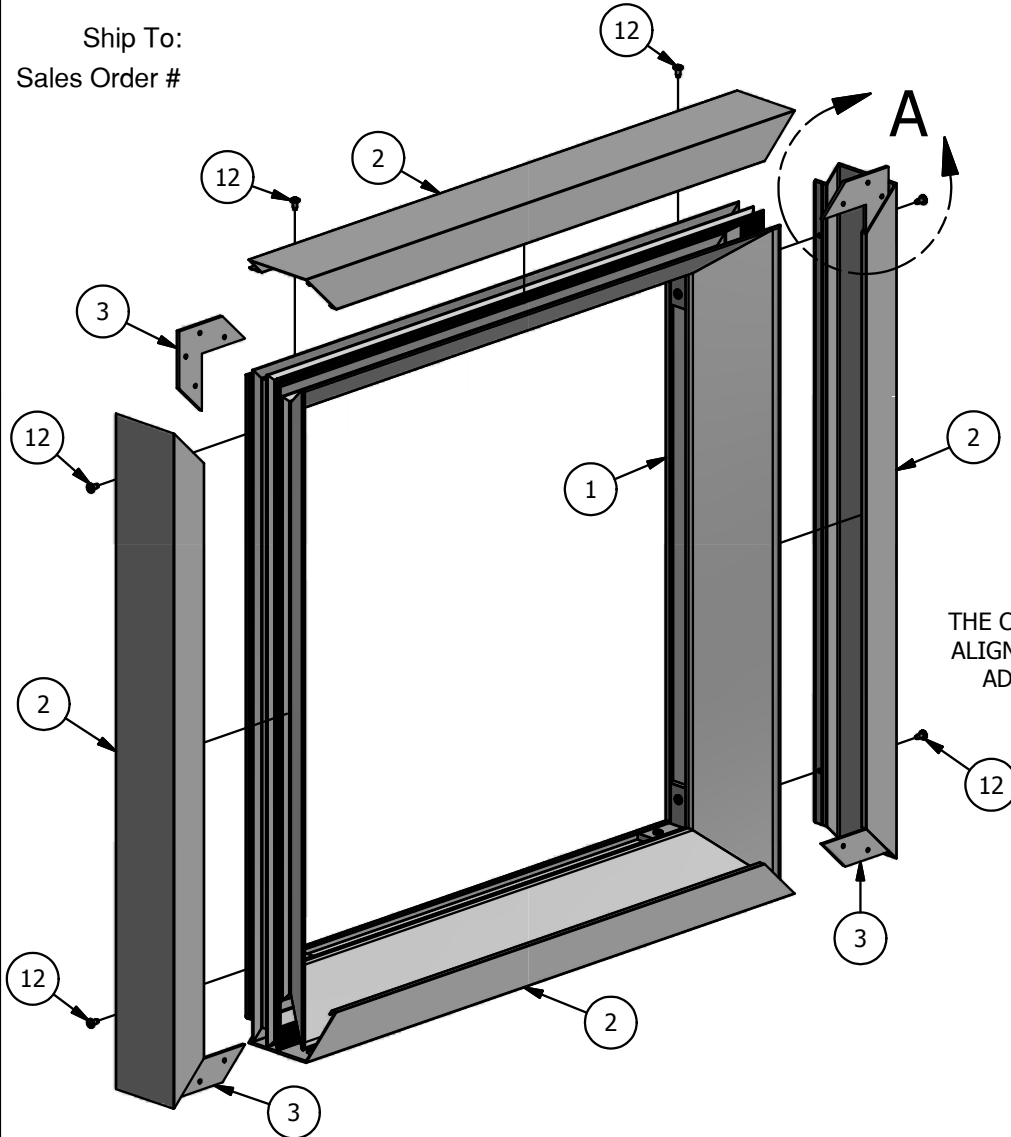
PARTS LIST

ITEM	PART #	DESCRIPTION	NOTES
1	K2086	Tension Frame II	Assembly
2	2084	1 1/2" Tension Frame Cover	All Sides
3	5210	Corner Key	
12	5195	Cover Screw	Pre-drill 1/8" holes 24" o/c

NOTE: PRE-CUT KITS ARE NOT PRE-DRILLED.

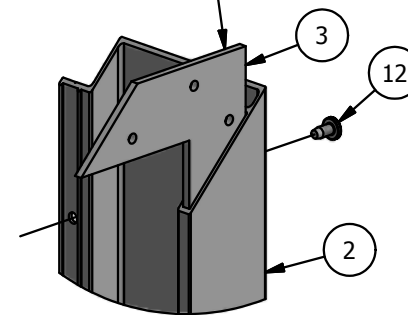
(Holes shown in this drawing are for reference only.
Drilling of pilot holes are to be done by fabricator.)

Ship To:
Sales Order #

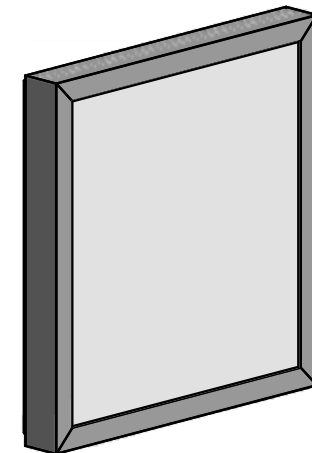


DETAIL A
BACK VIEW

THE CORNER KEY HELPS
ALIGN THE MITRES AND
ADDS STRENGTH TO
THE COVER.



DETAIL A
FRONT VIEW



THIS DRAWING WAS CREATED AT NO CHARGE TO ASSIST YOU IN VISUALIZING OUR PROPOSAL. THE DRAWING HEREIN IS THE PROPERTY OF SIGNCOMP. PERMISSION TO COPY OR REVISE THIS DRAWING OR TO USE THIS DRAWING FOR PRODUCTION IS STRICTLY PROHIBITED AND CAN ONLY BE COPIED, REVISED OR USED FOR PRODUCTION WITH THE EXPRESSED WRITTEN PERMISSION OF SIGNCOMP.

Part Name: Part Name

Part Number: Part Number

Revision:

Date: 3/31/2015

Drawing By: SBreihof

Sheet: 1 of 1

Size: A

SignComp

B

B

A

A

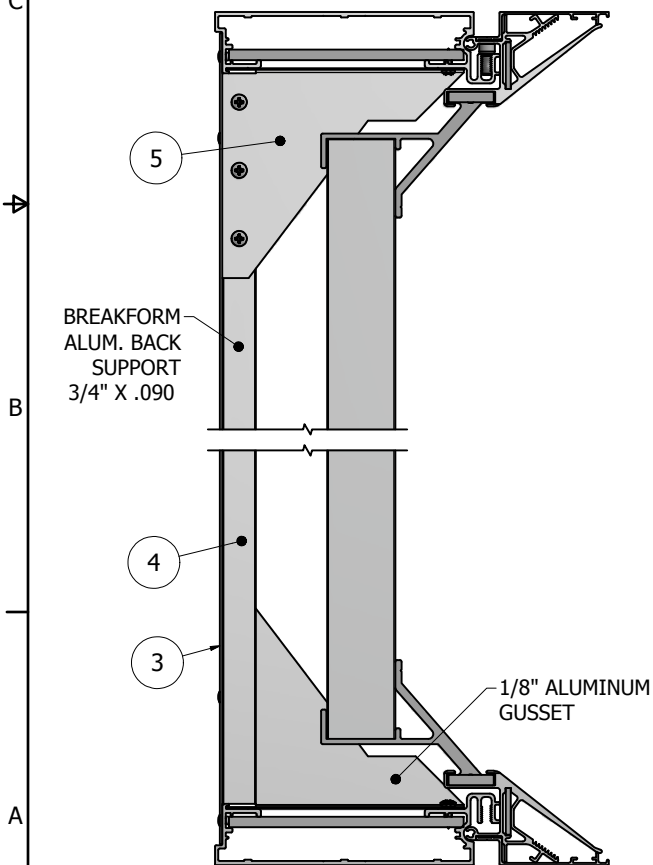
2

1

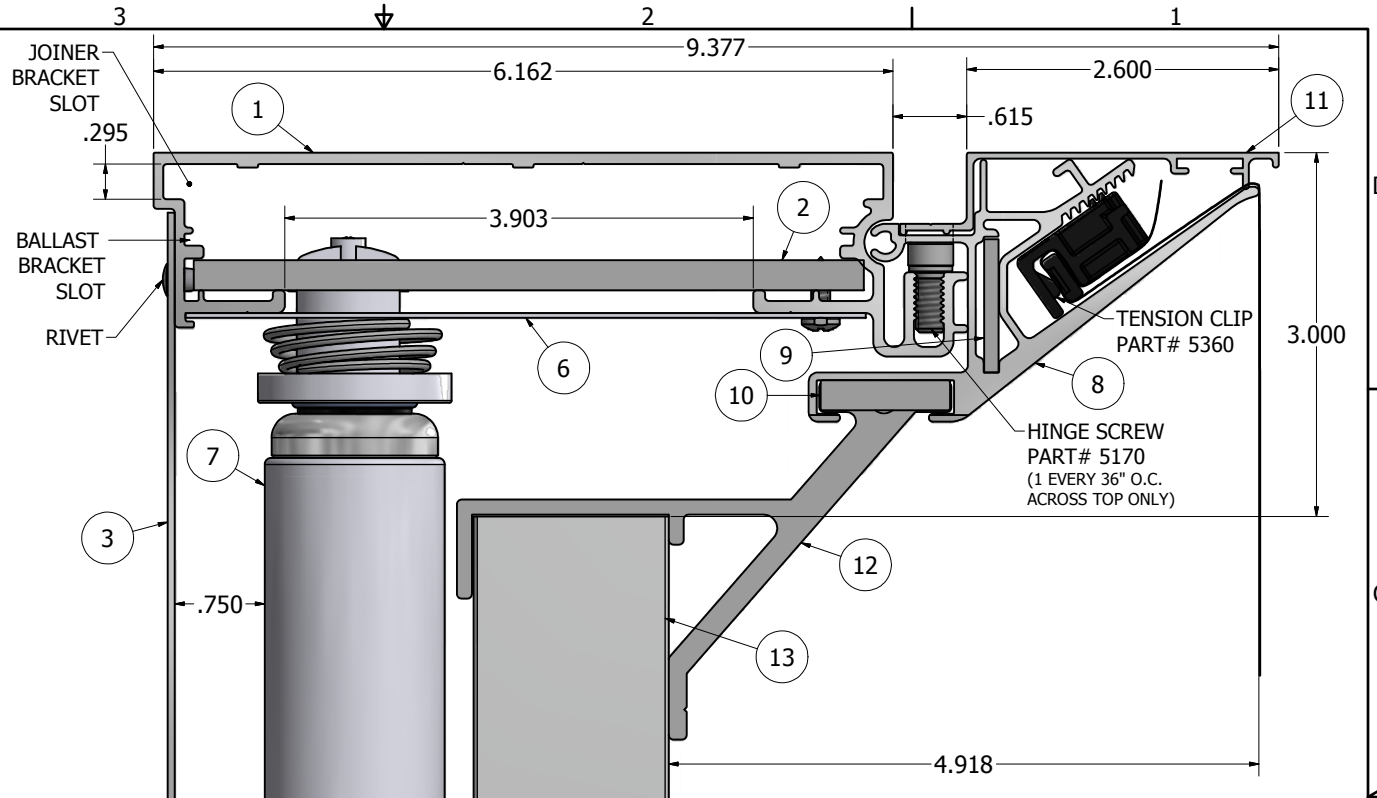
1

PARTS LIST		
ITEM	PART #	DESCRIPTION
1	2025	Single Face Body
2	5322	Single Face Body Corner Angle
3		.060 Alum. Back
4		Alum. Back Support
5		Alum. Gusset
6	5112	Raceway Cover - Blank
7		Lamp & Socket
8	2086	Tension Frame II
9	5210	Corner Key
10	5305	Frame Corner Angle
11	2095	Bleed Tension Frame Cover
12	5350	Frame Brace
13	2175	Frame Support Tube

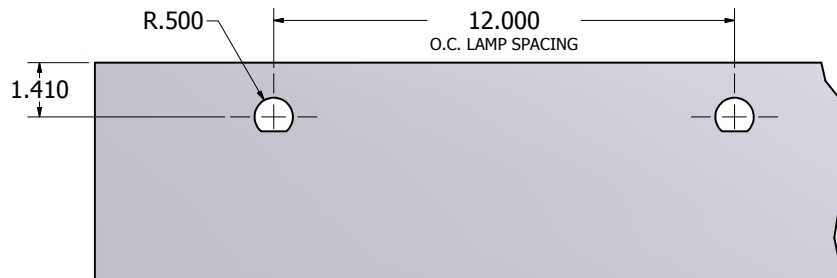
NOTE: PRE-CUT KITS ARE NOT PRE-DRILLED.
 (Holes shown in this drawing are for reference only.
 Drilling of pilot holes are to be done by fabricator.)



SECTION VIEW - STRUCTURAL



SECTION VIEW - ELECTRICAL



RACEWAY D-PUNCH DETAIL

NOTES

1. ADD 1" TO SIZE OF CABINET (VERTICAL OR HORIZONTAL) WHEN THE SIZE OF THE CABINET IS THE SAME SIZE AS THE NOMINAL LAMP LENGTH.
2. SIGNCOMP DOES NOT SUPPLY THE BALLAST(S), LAMPS, LAMP SOCKETS OR THE ALUMINUM BACK.
3. SIGNCOMP DOES NOT SUPPLY THE MATERIAL FOR GUSSETS, 1/4" JOINER BRACKET OR ALUMINUM BACK.

THIS DRAWING WAS CREATED AT NO CHARGE TO ASSIST YOU IN VISUALIZING OUR PROPOSAL. THE DRAWING HEREIN IS THE PROPERTY OF SIGNCOMP. PERMISSION TO COPY OR REVISE THIS DRAWING OR TO USE THIS DRAWING FOR PRODUCTION IS STRICTLY PROHIBITED AND CAN ONLY BE COPIED, REVISED OR USED FOR PRODUCTION WITH THE EXPRESSED WRITTEN PERMISSION OF SIGNCOMP.

DRAWING BY:	SBreihof	6/10/2014
Centroid X:	0.000 in	
Centroid Y:	0.000 in	
Principal Moments Ix:	0.000 in ⁴	
Principal Moments Iy:	0.000 in ⁴	
Section Modulus Ix:	0.000 in ³	
Section Modulus Iy:	0.000 in ³	

SignComp

TITLE

Single Face Body with Tension Frame II and Bleed Cover - Cross Sectional Details

PART NO

2025-86-95 with 5350

REV

SHEET 1 OF 1