

2



1

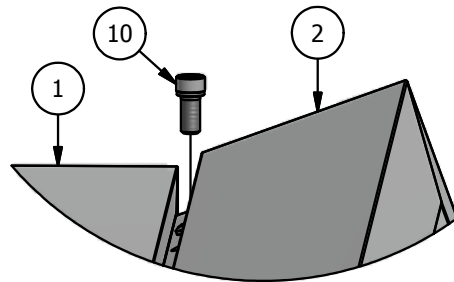
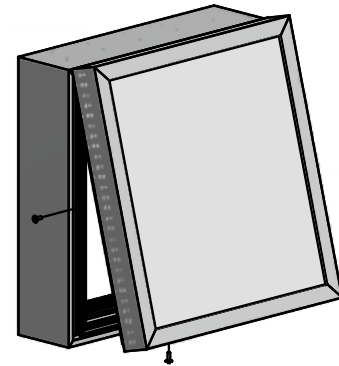
PARTS LIST

ITEM	PART#	DESCRIPTION	NOTES
1	K2025	Single Face Body	Assembly
2	K2086/84	Tension Frame II / 1-1/2" Frame Cover	Assembly
10	5170	Hinge Screw	Pre-drill a 3/8" hole - Top - 36" o/c
11	5180	Closure Screw	Pre-drill a 3/8" hole - Sides & Bottom - 48" o/c

NOTE: PRE-CUT KITS ARE NOT PRE-DRILLED.

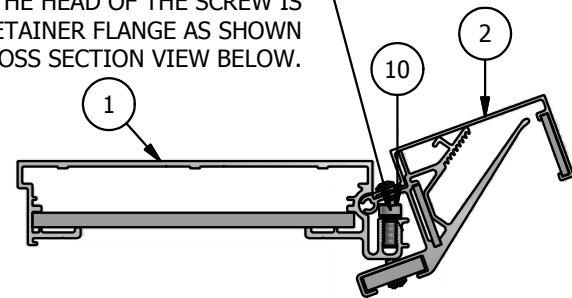
(Holes shown in this drawing are for reference only.
Drilling of pilot holes are to be done by fabricator.)

Ship To:
Sales Order #

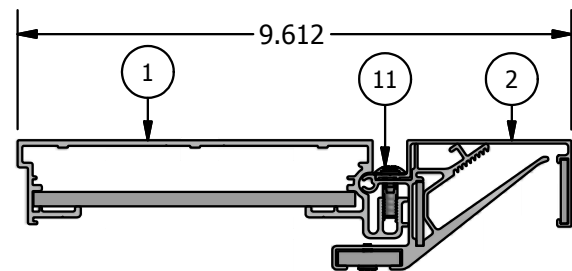


DETAIL A
FRAME HINGED

DRIVE THE HINGE SCREW DOWN INTO THE BODY SO THE HEAD OF THE SCREW IS UNDER THE RETAINER FLANGE AS SHOWN IN THE CROSS SECTION VIEW BELOW.



TOP CROSS-SECTION VIEW



SIDE CROSS-SECTION
FRAME CLOSED

B

A

A

B

A

THIS DRAWING WAS CREATED AT NO CHARGE TO ASSIST YOU IN VISUALIZING OUR PROPOSAL. THE DRAWING HEREIN IS THE PROPERTY OF SIGNCOMP. PERMISSION TO COPY OR REVISE THIS DRAWING OR TO USE THIS DRAWING FOR PRODUCTION IS STRICTLY PROHIBITED AND CAN ONLY BE COPIED, REVISED OR USED FOR PRODUCTION WITH THE EXPRESSED WRITTEN PERMISSION OF SIGNCOMP.

Part Name:	Single Face Body w/ Tension Frame II & 1-1/2" Frame Cover
Part Number:	KSF/86/84
Revision:	
Date:	4/6/2015
Sheet:	1 of 1
Size:	A
Sheet:	SBreihof
Sheet:	SBreihof

SignComp

Parts List			
ITEM	PART #	DESCRIPTION	NOTES
1	2025	Single Face Body	Top & Bottom
2	2025	Single Face Body	Sides
3	5322	Single Face Body Corner Angle	
13	5218	Corner Angle Screw	Drill 5/32" Pilot Hole

Ship To:
Sales Order#

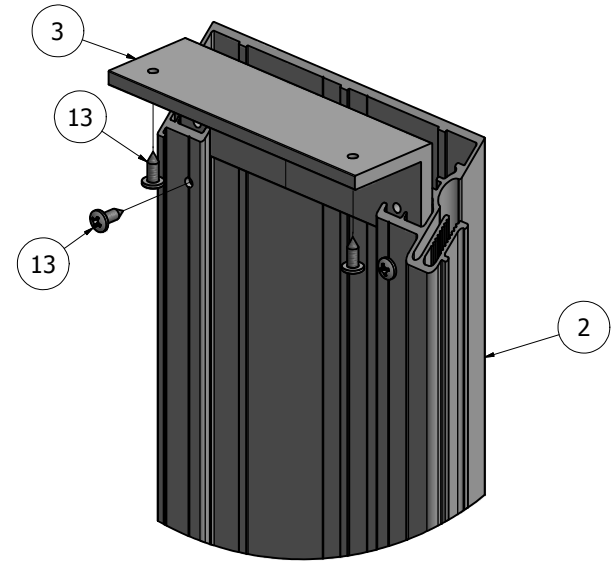
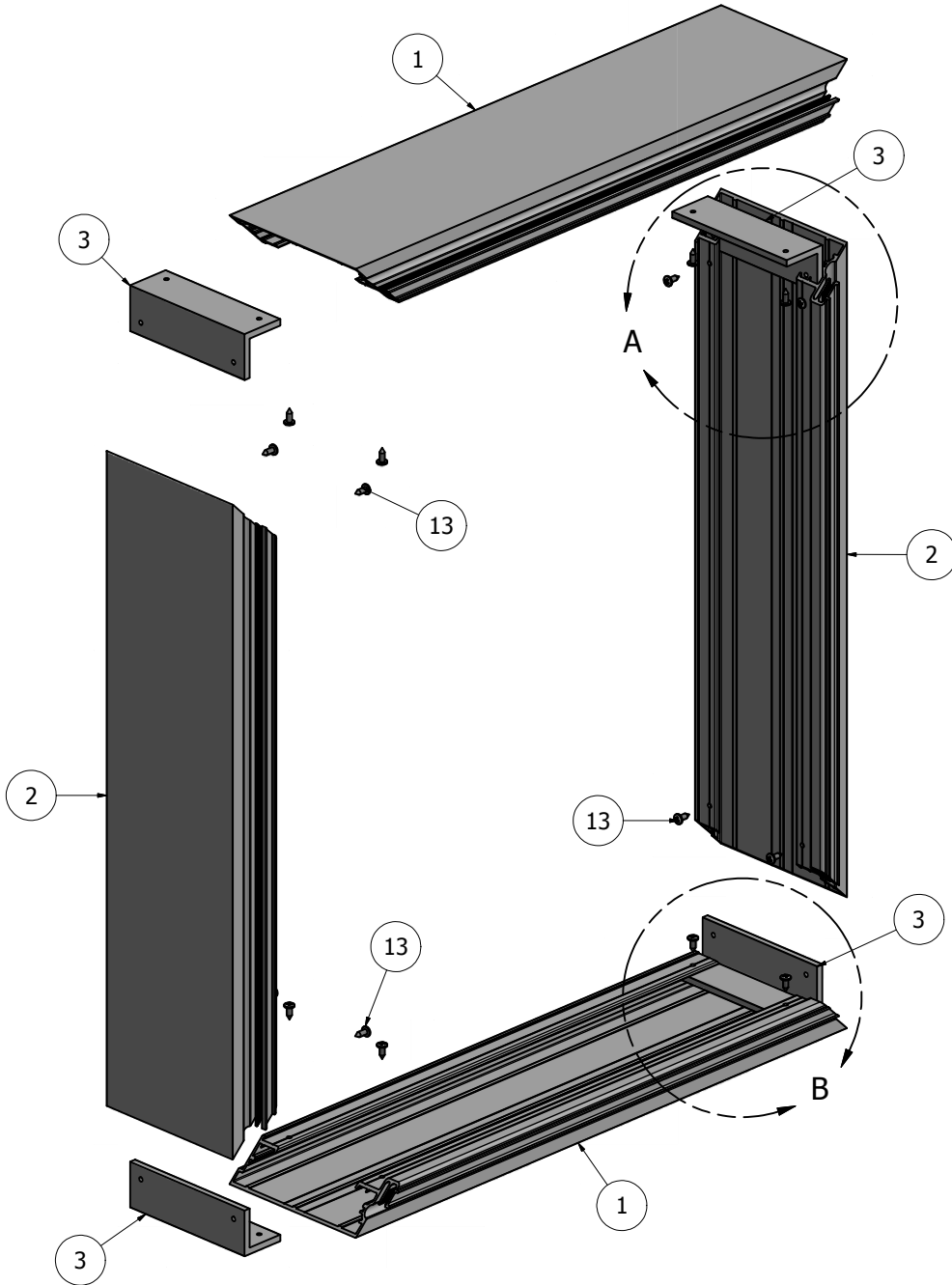
D

C

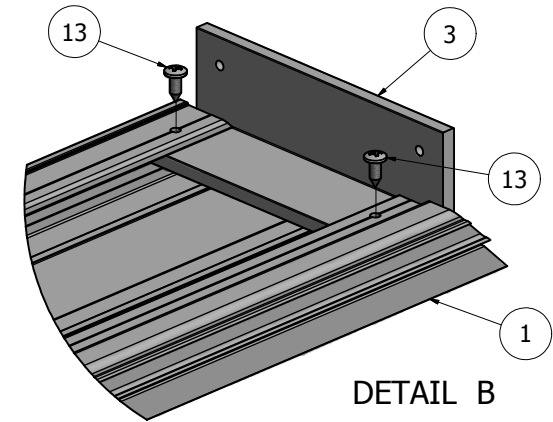
B

A

A



DETAIL A



DETAIL B

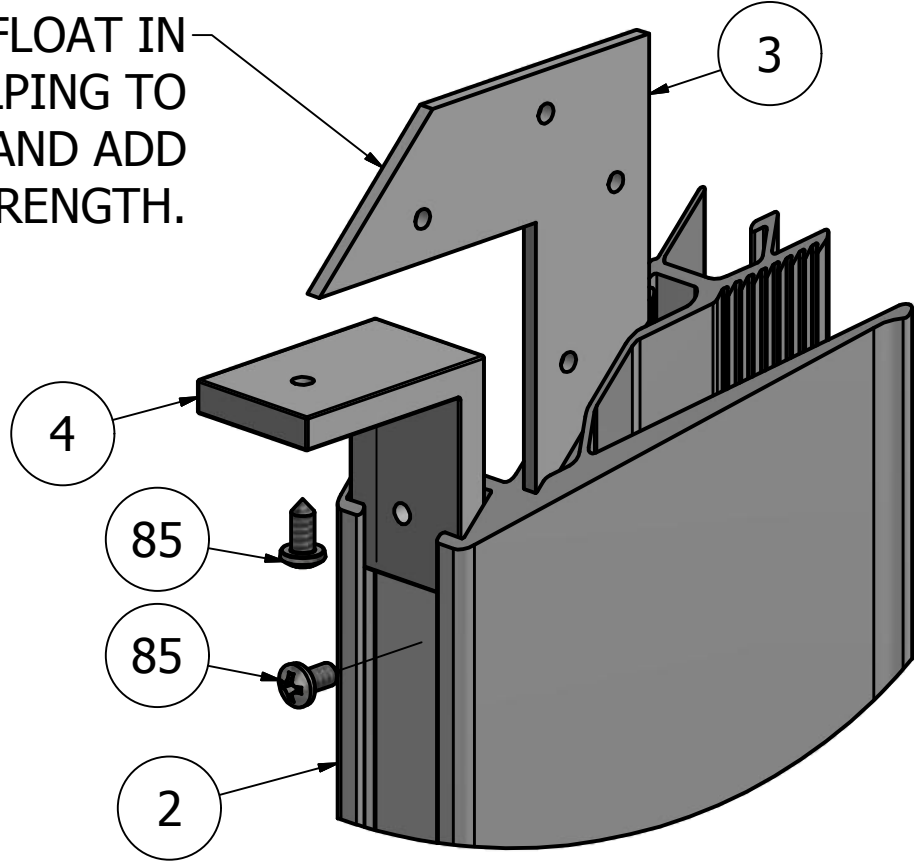
NOTE: PRE-CUT KITS ARE NOT PRE-DRILLED.
(Holes shown in this drawing are for reference only.
Drilling of pilot holes are to be done by fabricator.)

THIS DRAWING WAS CREATED AT NO CHARGE TO ASSIST YOU IN VISUALIZING OUR PROPOSAL. THE DRAWING HEREIN IS THE PROPERTY OF SIGNCOMP. PERMISSION TO COPY OR REVISE THIS DRAWING OR TO USE THIS DRAWING FOR PRODUCTION IS STRICTLY PROHIBITED AND CAN ONLY BE COPIED, REVISED OR USED FOR PRODUCTION WITH THE EXPRESSED WRITTEN PERMISSION OF SIGNCOMP.

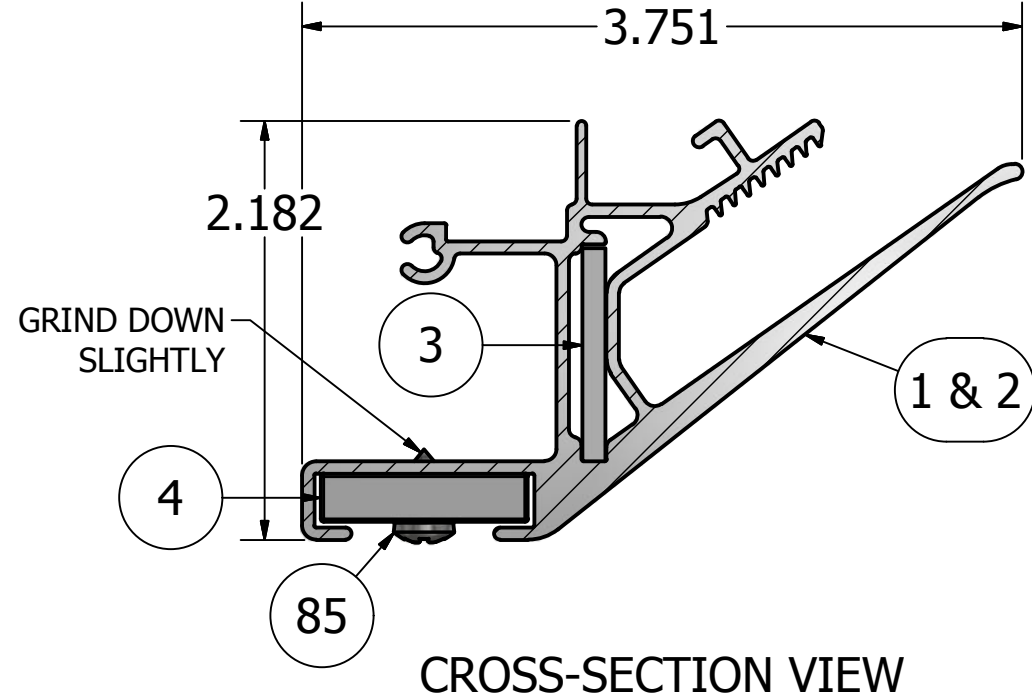
DRAWN	Sarah	3/2/2012	SignComp	
Centroid X:	0.000 in	TITLE		
Centroid Y:	0.000 in	Single Face Body - Assembly		A
Principal Moments Ix:	0.000 in ⁴	DWG NO	K2025	REV
Principal Moments Iy:	0.000 in ⁴			
Section Modulus Ix:	0.000 in ³			
Section Modulus Iy:	0.000 in ³			

PARTS LIST			
ITEM	PART#	DESCRIPTION	NOTES
1	2086	Tension Frame II	Top & Bottom
2	2086	Tension Frame II	Sides
3	5210	Corner Key	
4	5305	Frame Corner Angle	
85	5218	Corner Angle Screw	Pre-drill 5/32" hole

THE CORNER KEYS FLOAT IN THE EXTRUSION HELPING TO ALIGN THE MITERS AND ADD STRENGTH.

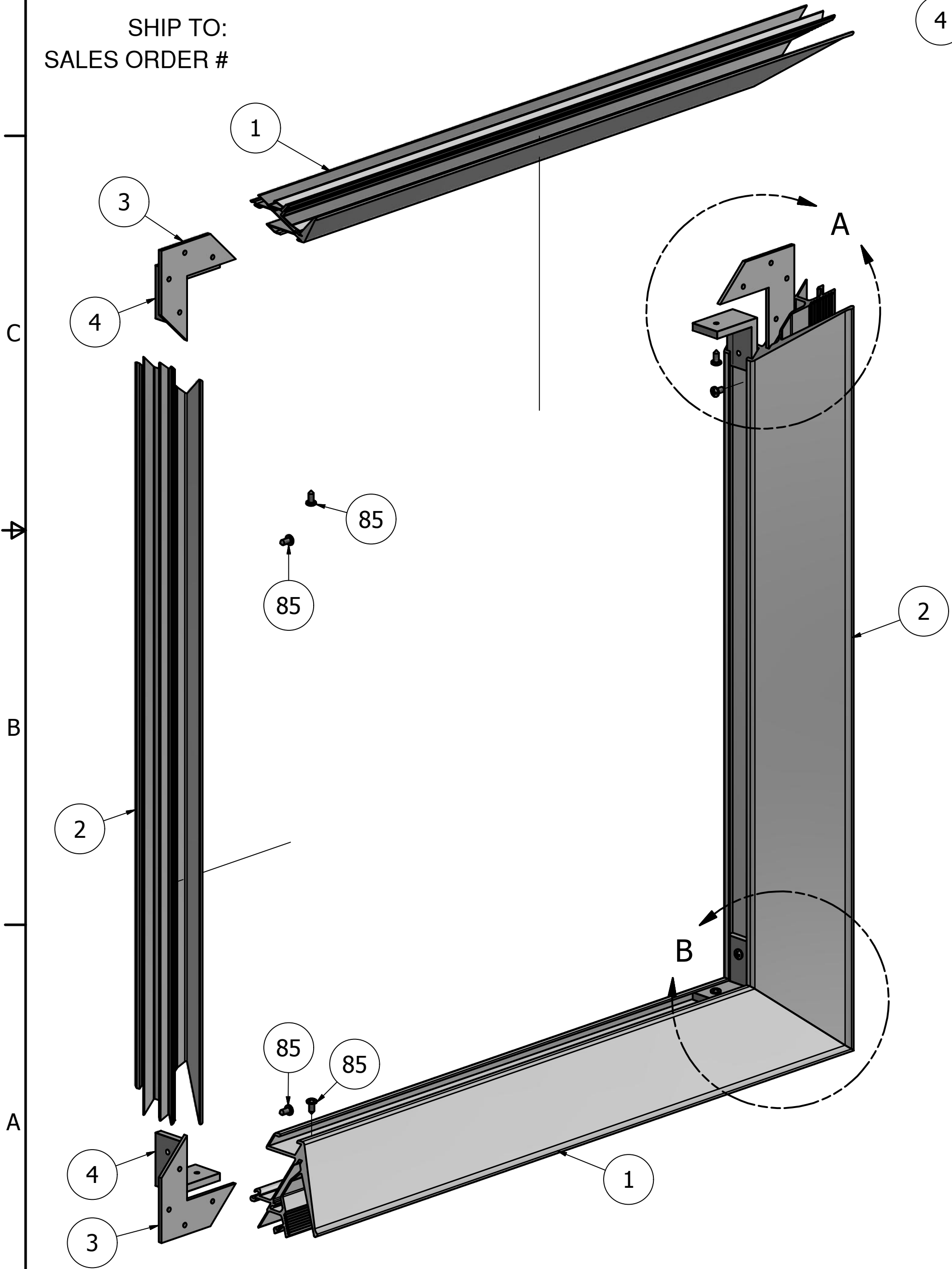


DETAIL A

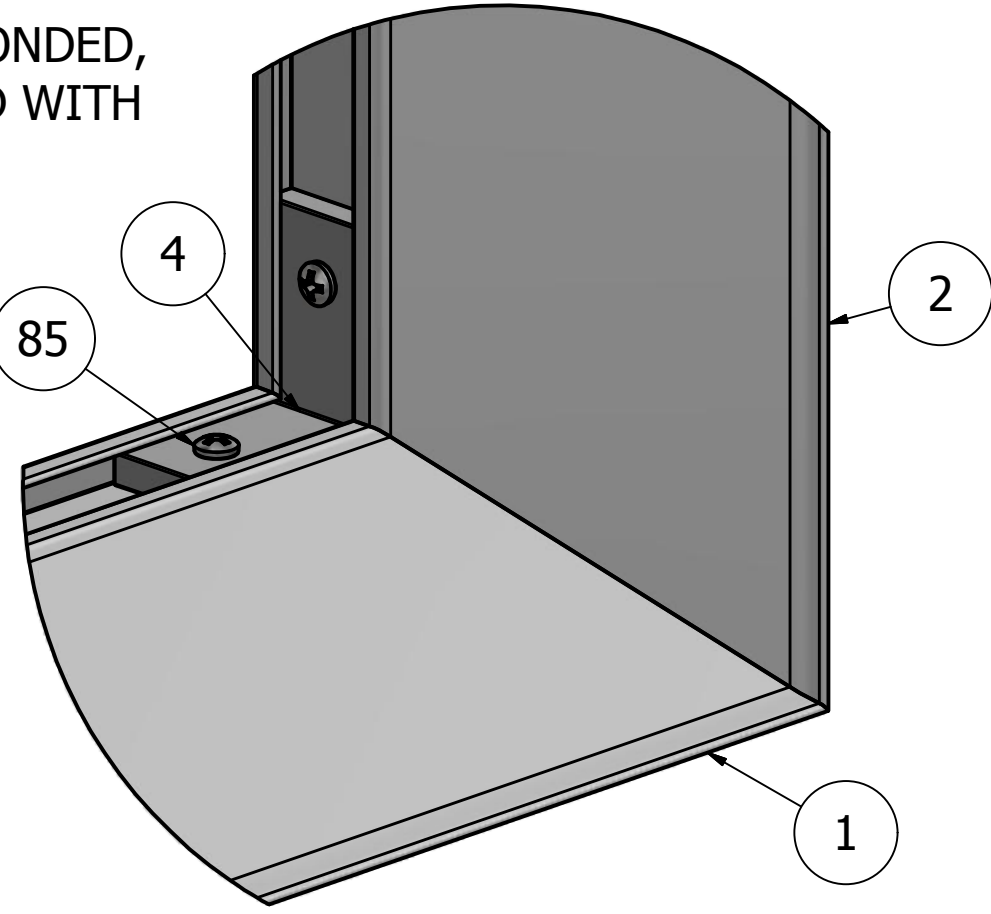


CROSS-SECTION VIEW

SHIP TO:
SALES ORDER #



NOTE: THIS FRAME MAY BE BONDED, WELDED OR ASSEMBLED WITH FASTENERS.



DETAIL B

NOTE: PRE-CUT KITS ARE NOT PRE-DRILLED.
(Holes shown in this drawing are for reference only. Drilling of pilot holes are to be done by fabricator.)

THIS DRAWING WAS CREATED AT NO CHARGE TO ASSIST YOU IN VISUALIZING OUR PROPOSAL. THE DRAWING HEREIN IS THE PROPERTY OF SIGNCOMP. PERMISSION TO COPY OR REVISE THIS DRAWING OR TO USE THIS DRAWING FOR PRODUCTION IS STRICTLY PROHIBITED AND CAN ONLY BE COPIED, REVISED OR USED FOR PRODUCTION WITH THE EXPRESSED WRITTEN PERMISSION OF SIGNCOMP.

DRAWING BY:	SBreihof	4/24/2014	SignComp
Centroid X:	0.000 in	Centroid Y:	
Principal Moments Ix:	0.000 in ⁴	Principal Moments Iy:	0.000 in ⁴
Section Modulus Ix:	0.000 in ³	Section Modulus Iy:	0.000 in ³
TITLE			Tension Frame II - Assembly
PART NO			K2086
REV			
SHEET			1 OF 1

2

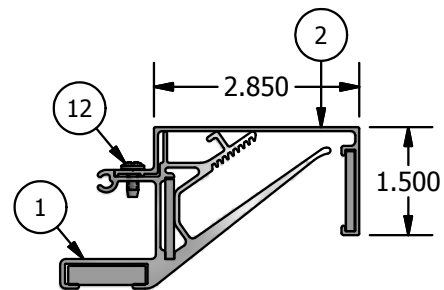
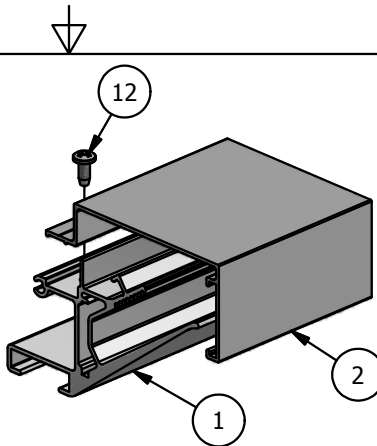
1

PARTS LIST

ITEM	PART #	DESCRIPTION	NOTES
1	K2086	Tension Frame II	Assembly
2	2084	1 1/2" Tension Frame Cover	All Sides
3	5210	Corner Key	
12	5195	Cover Screw	Pre-drill 1/8" holes 24" o/c

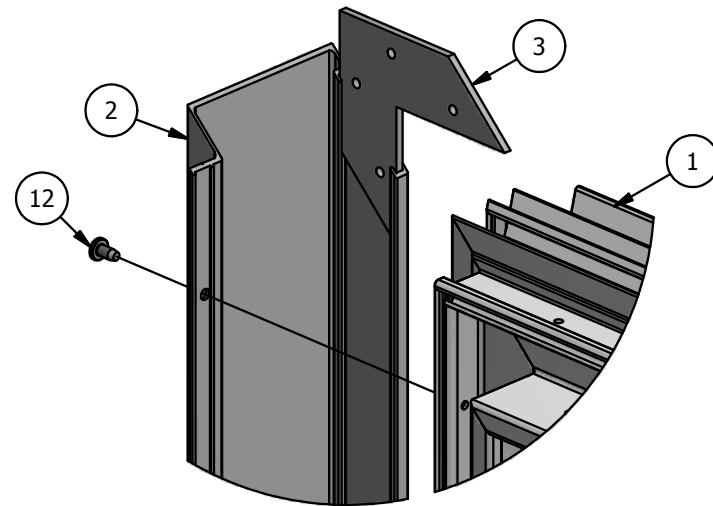
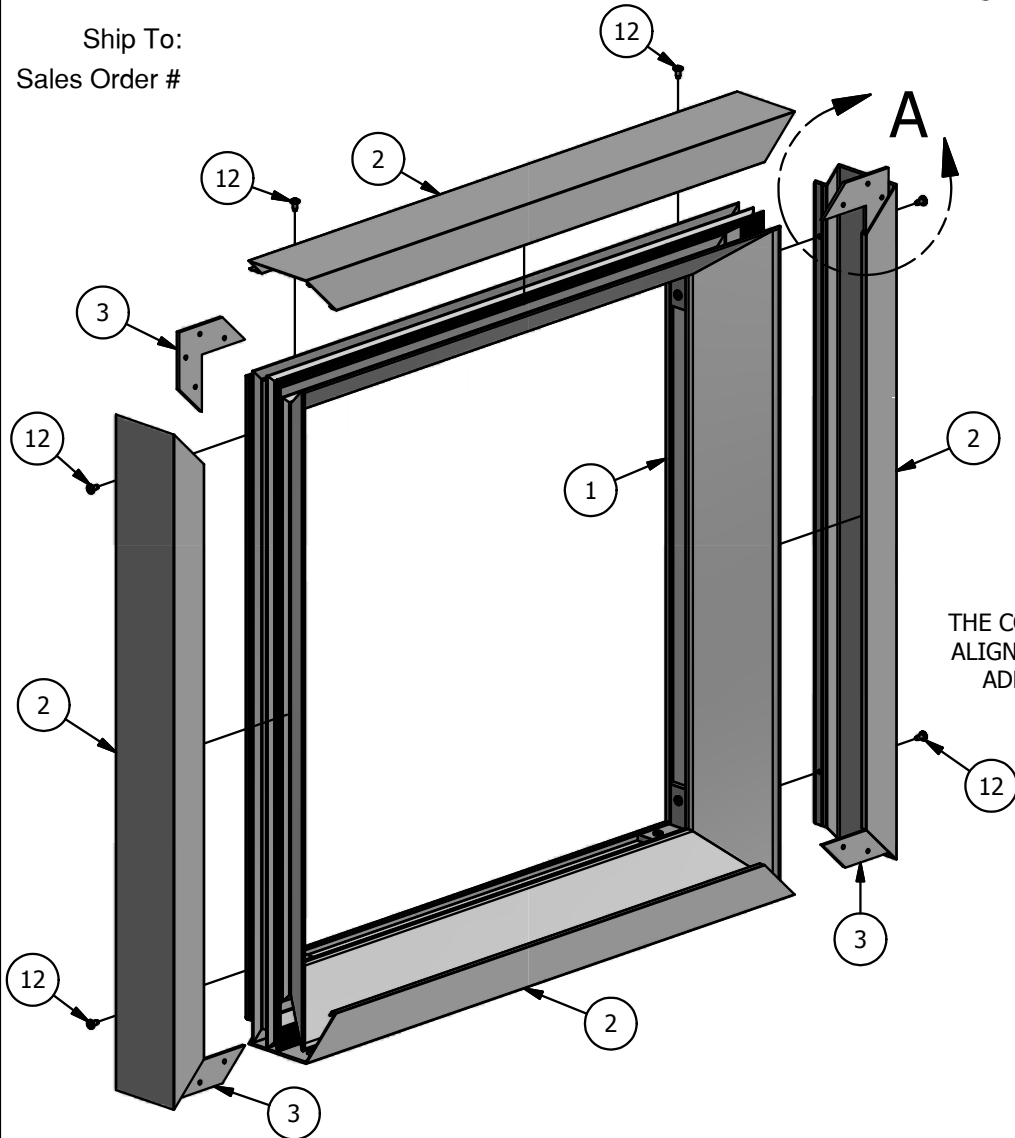
NOTE: PRE-CUT KITS ARE NOT PRE-DRILLED.

(Holes shown in this drawing are for reference only. Drilling of pilot holes are to be done by fabricator.)



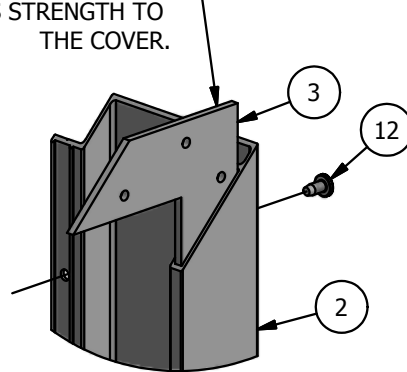
B

Ship To:
Sales Order #

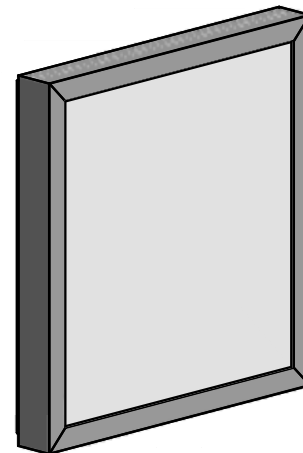


**DETAIL A
BACK VIEW**

THE CORNER KEY HELPS
ALIGN THE MITRES AND
ADDS STRENGTH TO
THE COVER.



**DETAIL A
FRONT VIEW**



A

2

1

1

THIS DRAWING WAS CREATED AT NO CHARGE TO ASSIST YOU IN VISUALIZING OUR PROPOSAL. THE DRAWING HEREIN IS THE PROPERTY OF SIGNCOMP. PERMISSION TO COPY OR REVISE THIS DRAWING OR TO USE THIS DRAWING FOR PRODUCTION IS STRICTLY PROHIBITED AND CAN ONLY BE COPIED, REVISED OR USED FOR PRODUCTION WITH THE EXPRESSED WRITTEN PERMISSION OF SIGNCOMP.

Part Name: **Part Name**
 Part Number: **Part Number**
 Revision: **Revision:**
 Date: **3/31/2015**
 Drawing By: **SBreihof**
 Sheet: **1 of 1**
 Size: **A**

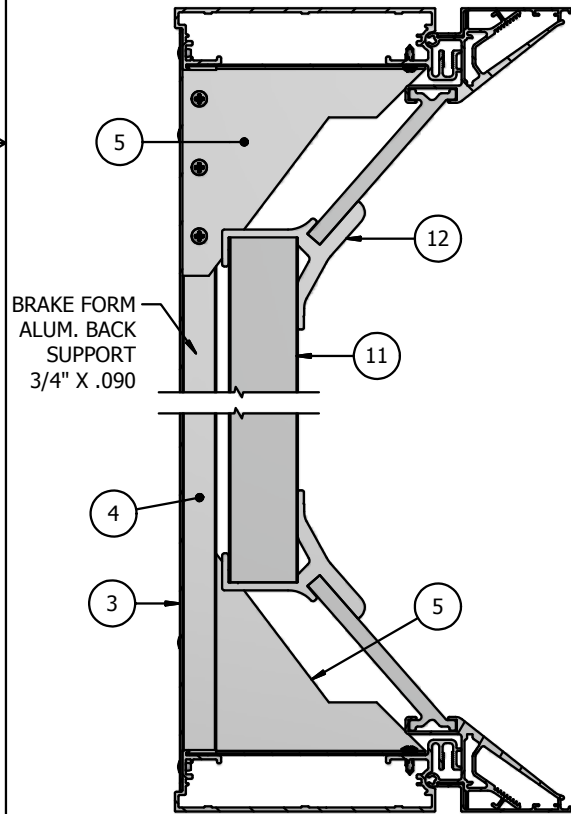
SignComp

B

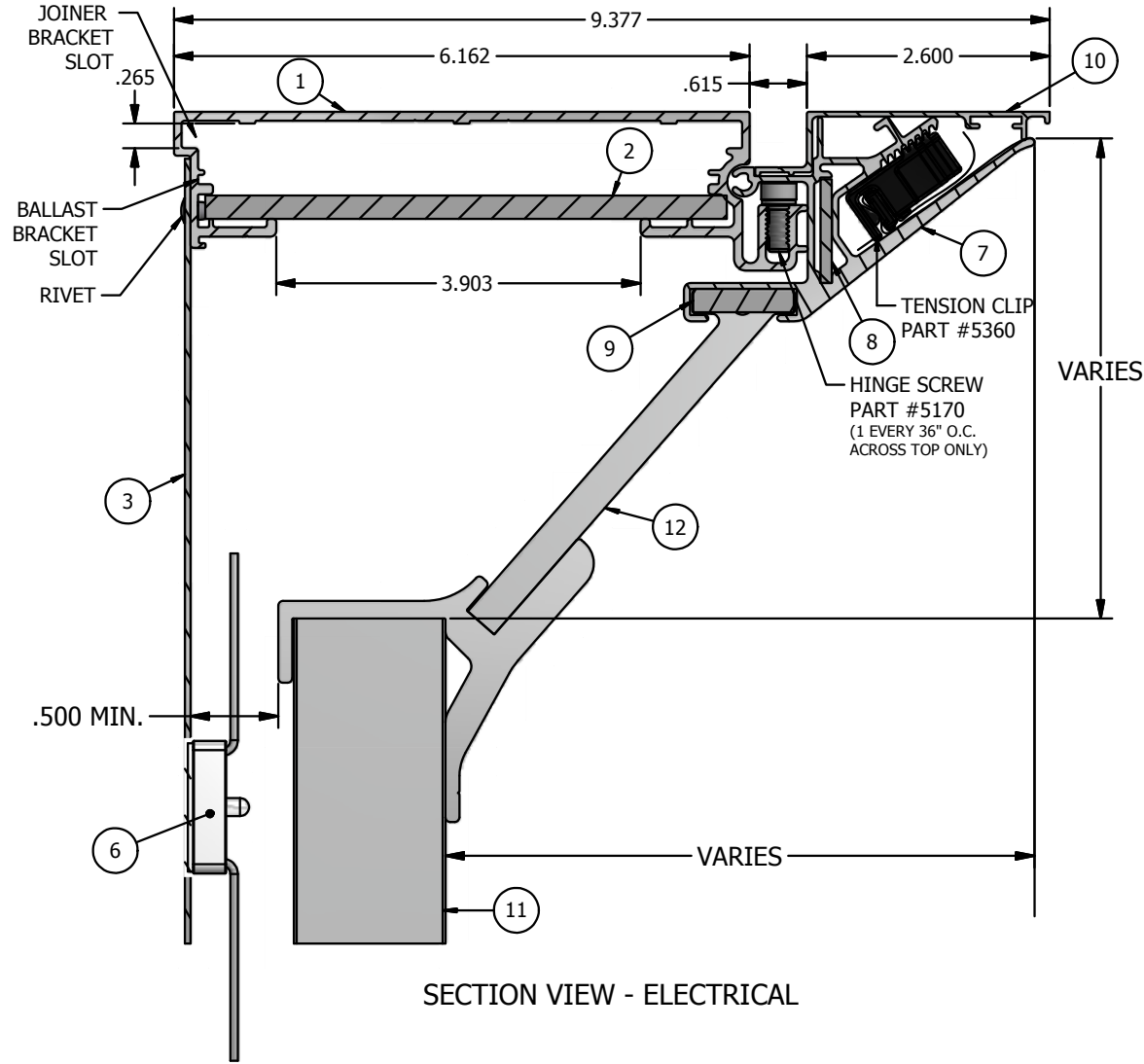
A

ITEM	PART #	DESCRIPTION
1	2025	Single Face Body
2	5322	Single Face Body Corner Angle
3		.060 Alum. Back
4		Alum. Back Support
5		Alum. Gusset
6		LED Module
7	2086	Tension Frame II
8	5210	Corner Key
9	5305	Frame Corner Angle
10	2095	Bleed Tension Frame Cover
11	2175	Frame Support Tube
12	5357	2 Piece Frame Brace

NOTE: PRE-CUT KITS ARE NOT PRE-DRILLED.
 (Holes shown in this drawing are for reference only.
 Drilling of pilot holes are to be done by fabricator.)



SECTION VIEW - STRUCTURAL



SECTION VIEW - ELECTRICAL

NOTES

1. THE FRAME SUPPORT TUBE SHOULD BE AT A MINIMUM OF 1/2" OFF OF THE BACK, BUT NOT TO EXCEED 3/4".
2. SIGNCOMP DOES NOT SUPPLY THE POWER SUPPLY, LED'S OR MOUNTING PROVISIONS.
3. SIGNCOMP DOES NOT SUPPLY THE MATERIAL FOR GUSSETS, 1/4" JOINER BRACKETS OR ALUMINUM BACK.

NOTE: FRAME BRACING GUIDELINES APPLY FOR BOTH THE BLEED AND FRAMED COVERS.

NOTE:

All structural detailing for sign construction is the sole responsibility of the sign contractor. All details shown here should be considered as **DESIGN INTENT ONLY**. The sign fabricator shall provide engineering drawings stamped by a licenced structural engineer.

THIS DRAWING WAS CREATED AT NO CHARGE TO ASSIST YOU IN VISUALIZING OUR PROPOSAL. THE DRAWING HEREIN IS THE PROPERTY OF SIGNCOMP. PERMISSION TO COPY OR REVISE THIS DRAWING OR TO USE THIS DRAWING FOR PRODUCTION IS STRICTLY PROHIBITED AND CAN ONLY BE COPIED, REVISED OR USED FOR PRODUCTION WITH THE EXPRESSED WRITTEN PERMISSION OF SIGNCOMP.

Project Name:	WB w/ Tension Frame II & Cover - Cross Sect.
Sign Company:	SignComp
Revision:	10/7/2014
Drawing By:	SBreihof
Sheet:	1 of 1
Size:	A

SignComp