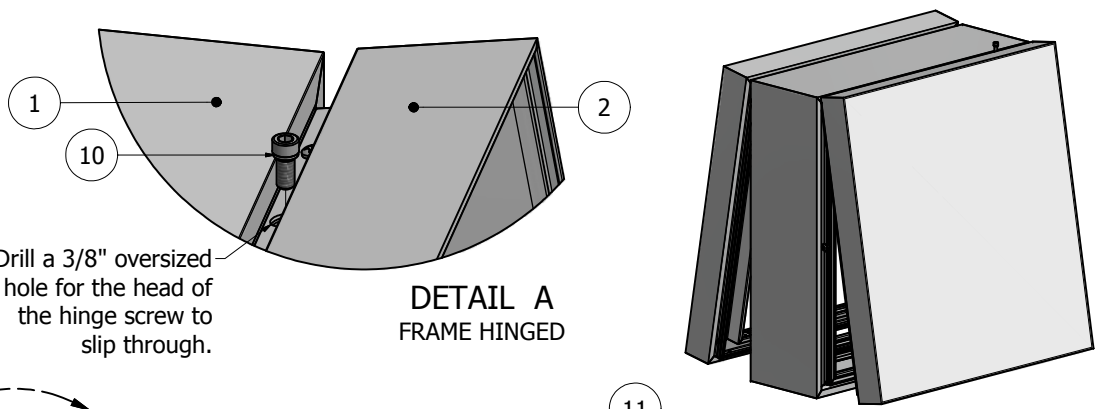


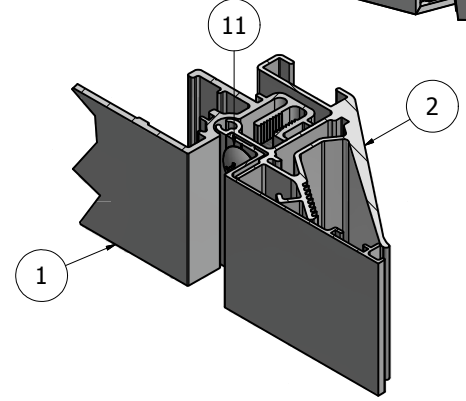
PARTS LIST			
ITEM	PART #	DESCRIPTION	NOTES
1	KMB	Medium Body	Assembly
2	K2086/95	Tension Frame II and Bleed Cover	Assembly
10	5170	Hinge Screw	Drill a 3/8" pilot hole
11	5180	Closure Screw	Drill a 5/16" pilot hole

Ship To:  
Sales Order#

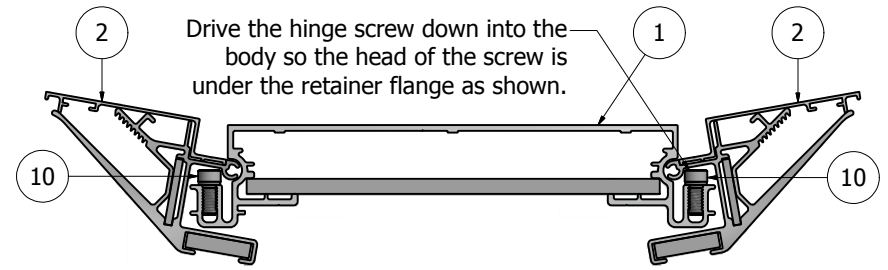
**\*NOTE:** Drill a 3/8" oversized hole for the head of the hinge screw to slip through.



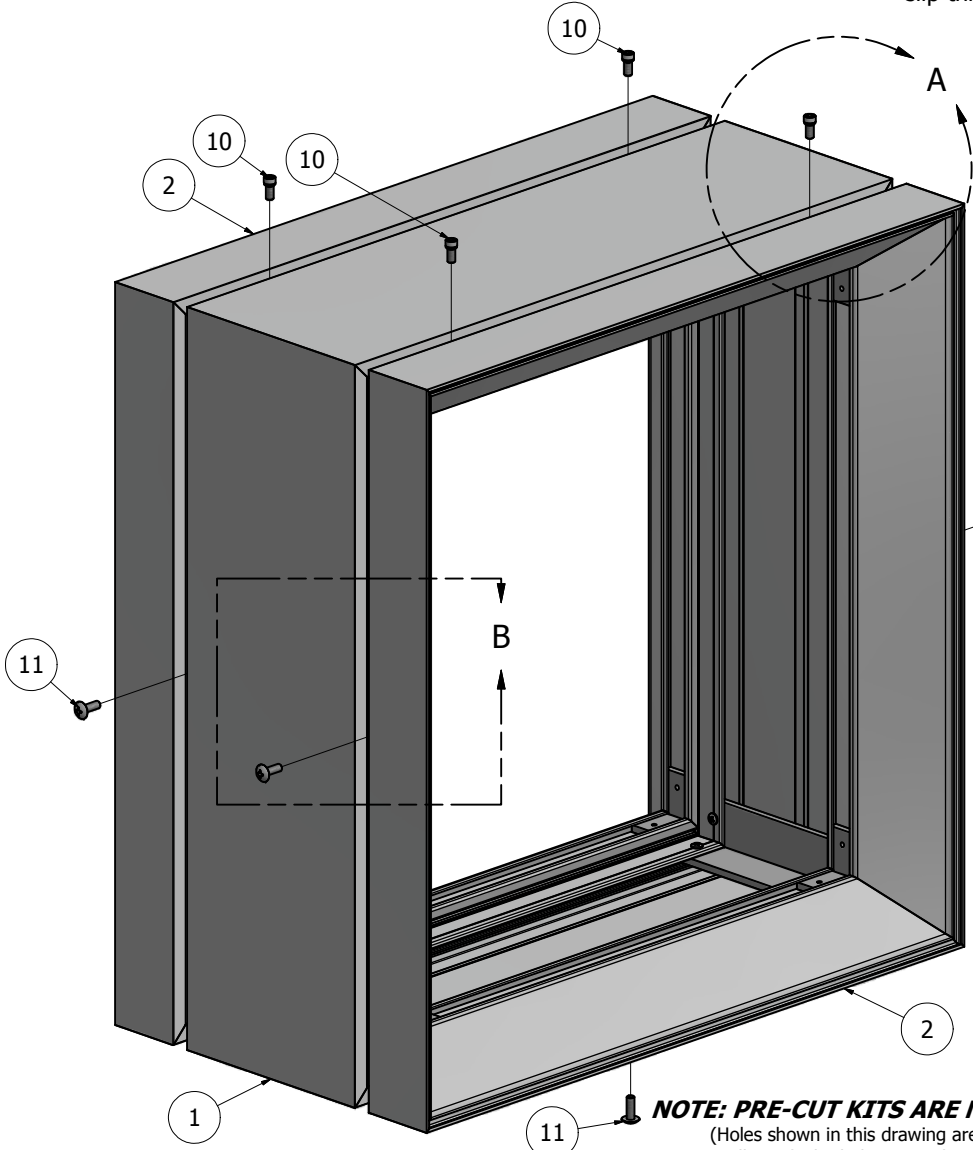
DETAIL A  
FRAME HINGED



DETAIL B  
FRAME CLOSED



TOP CROSS-SECTION VIEW



**\*NOTE: PRE-CUT KITS ARE NOT PRE-DRILLED.**  
(Holes shown in this drawing are for reference only.  
Drilling of pilot holes are to be done by fabricator.)

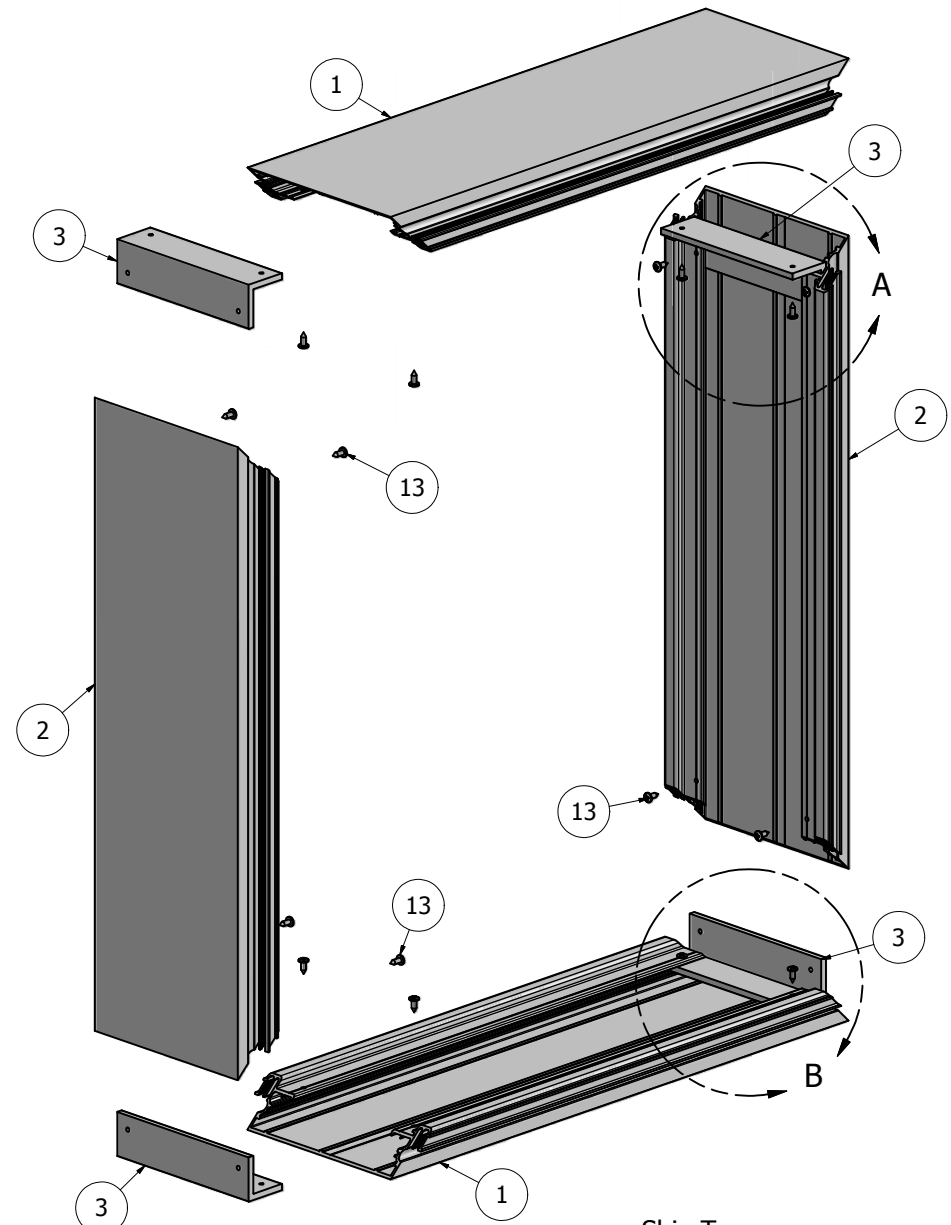
THIS DRAWING WAS CREATED AT NO CHARGE TO ASSIST YOU IN VISUALIZING OUR PROPOSAL. THE DRAWING HEREIN IS THE PROPERTY OF SIGNCOMP. PERMISSION TO COPY OR REVISE THIS DRAWING OR TO USE THIS DRAWING FOR PRODUCTION IS STRICTLY PROHIBITED AND CAN ONLY BE COPIED, REVISED OR USED FOR PRODUCTION WITH THE EXPRESSED WRITTEN PERMISSION OF SIGNCOMP.

DRAWING BY:	SBreihof	7/1/2014
Centroid X:	0.000 in	
Centroid Y:	0.000 in	
Principal Moments Ix:	0.000 in <sup>4</sup>	
Principal Moments Iy:	0.000 in <sup>4</sup>	
Section Modulus Ix:	0.000 in <sup>3</sup>	
Section Modulus Iy:	0.000 in <sup>3</sup>	

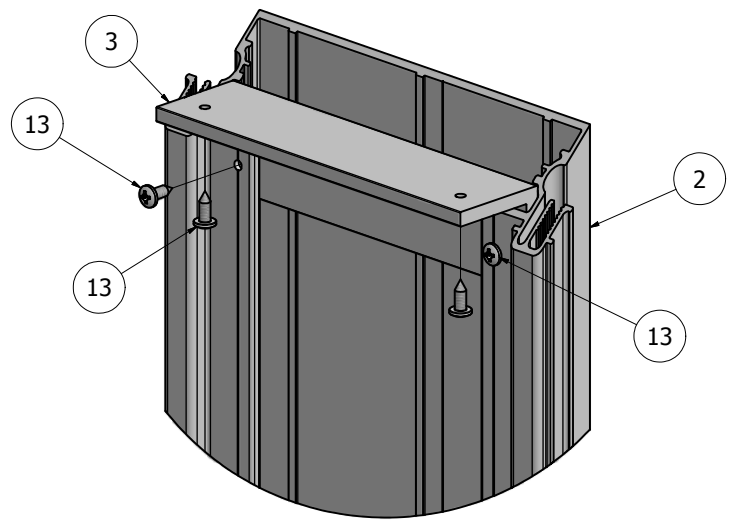
<b>SignComp</b>		TITLE
		Medium Body w/ Tension Frame II and Bleed Cover - Assembly
PART NO	<b>KMB-86-95</b>	REV
SHEET 1 OF 1		

Parts List			
ITEM	PART #	DESCRIPTION	NOTES
1	2015	Medium Body	Top & Bottom
2	2015	Medium Body	Sides
3	5318	Medium Body Corner Angle	
13	5218	Corner Angle Screw	Drill 5/32" pilot hole

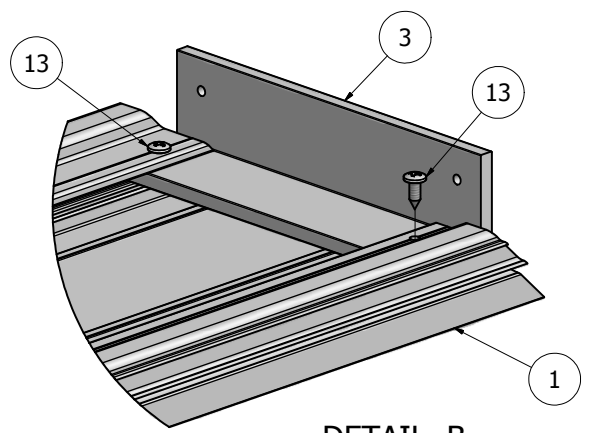
D  
C  
B  
A



Ship To:  
Order Number:



DETAIL A



DETAIL B

**NOTE: PRE-CUT KITS ARE NOT PRE-DRILLED.**  
(Holes shown in this drawing are for reference only.  
Drilling of pilot holes are to be done by fabricator.)

THIS DRAWING WAS CREATED AT NO CHARGE TO ASSIST YOU IN VISUALIZING OUR PROPOSAL. THE DRAWING HEREIN IS THE PROPERTY OF SIGNCOMP. PERMISSION TO COPY OR REVISE THIS DRAWING OR TO USE THIS DRAWING FOR PRODUCTION IS STRICTLY PROHIBITED AND CAN ONLY BE COPIED, REVISED OR USED FOR PRODUCTION WITH THE EXPRESSED WRITTEN PERMISSION OF SIGNCOMP.				
DRAWN	Sarah	3/5/2012		
Centroid X:	0.000 in	TITLE		
Centroid Y:	0.000 in			
Principal Moments Ix:	0.000 in^4	Medium Body - Assembly		
Principal Moments Iy:	0.000 in^4			
Section Modulus Ix:	0.000 in^3	DWG NO	<b>K2015</b>	REV
Section Modulus Iy:	0.000 in^3			
				SHEET 1 OF 1

4 3 2 1

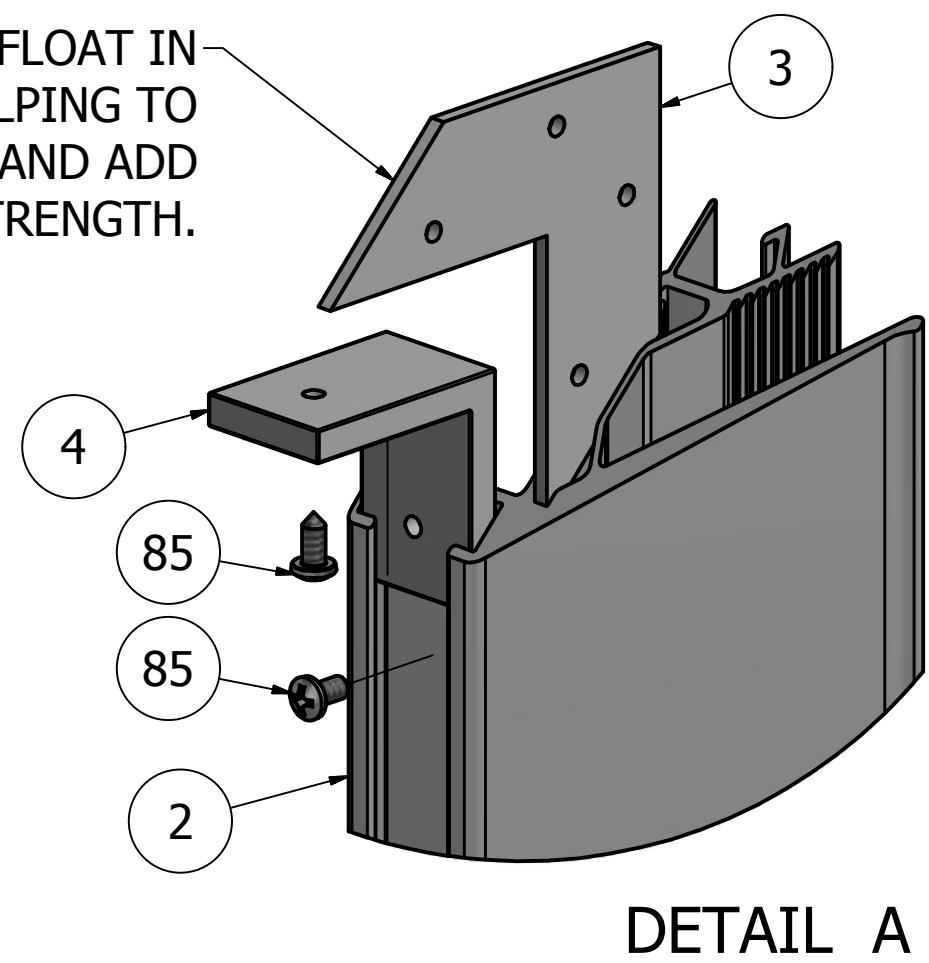
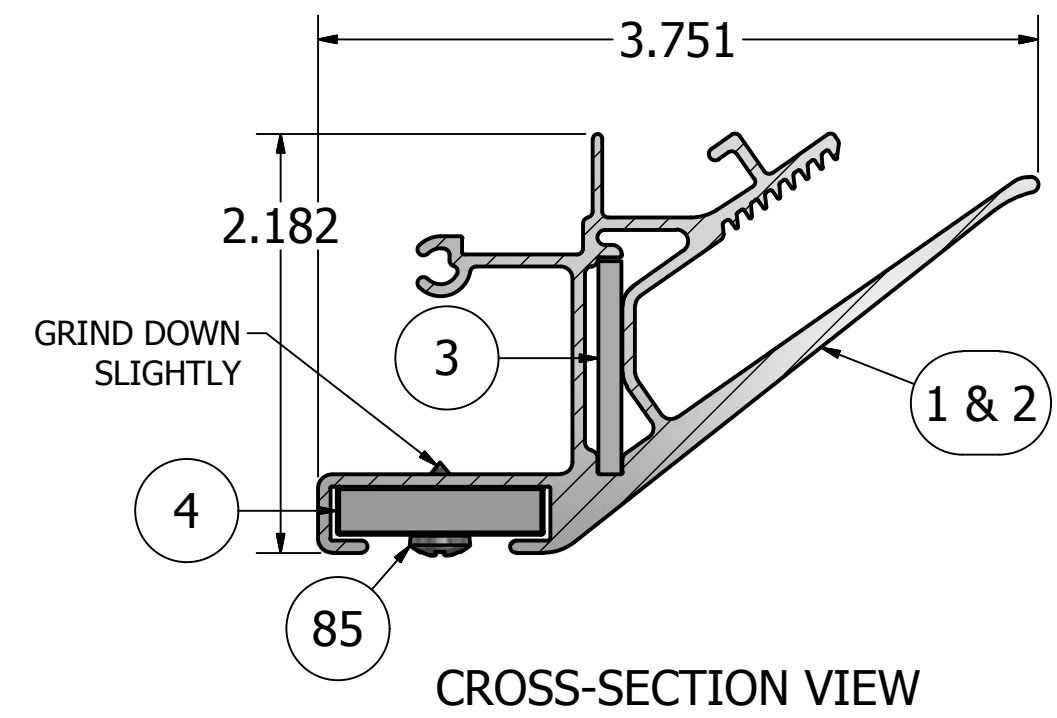
4 3 2 1

4 3 2 1

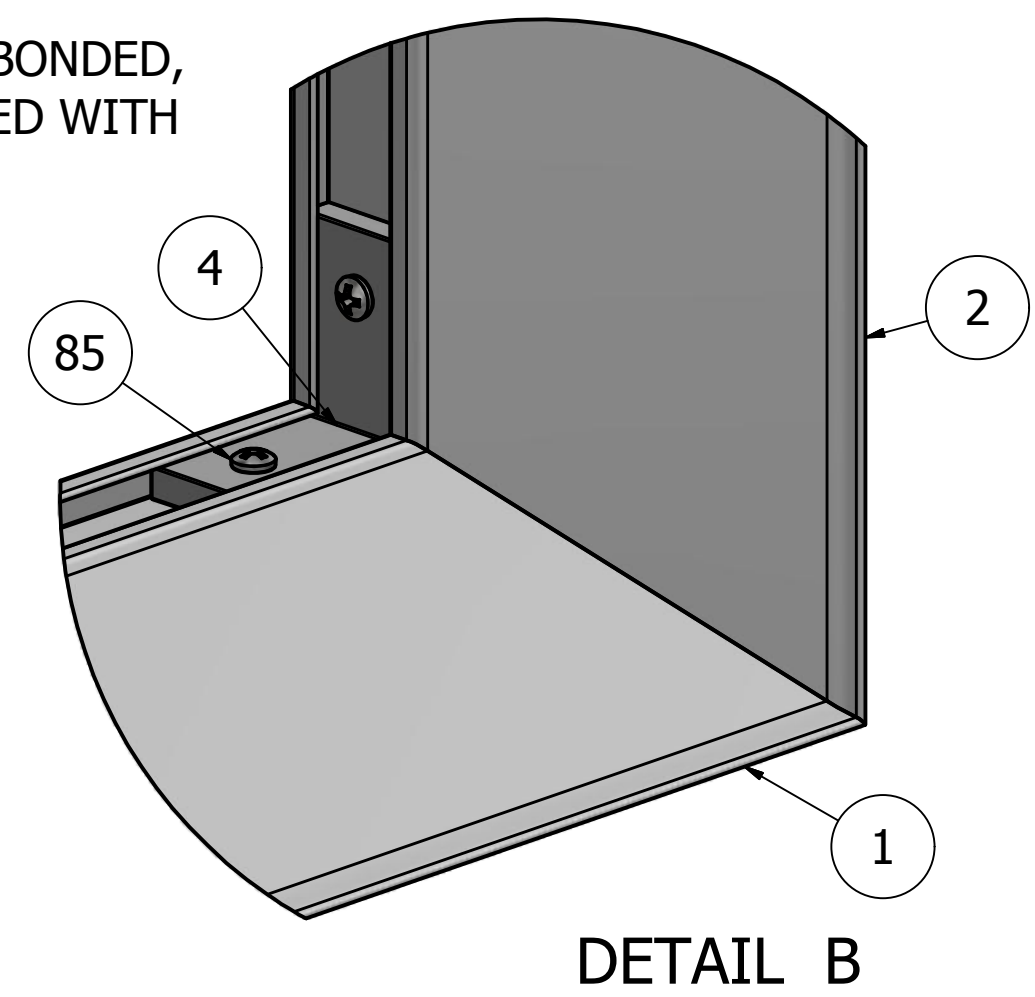
4 3 2 1

PARTS LIST			
ITEM	PART#	DESCRIPTION	NOTES
1	2086	Tension Frame II	Top & Bottom
2	2086	Tension Frame II	Sides
3	5210	Corner Key	
4	5305	Frame Corner Angle	
85	5218	Corner Angle Screw	Pre-drill 5/32" hole

THE CORNER KEYS FLOAT IN THE EXTRUSION HELPING TO ALIGN THE MITERS AND ADD STRENGTH.

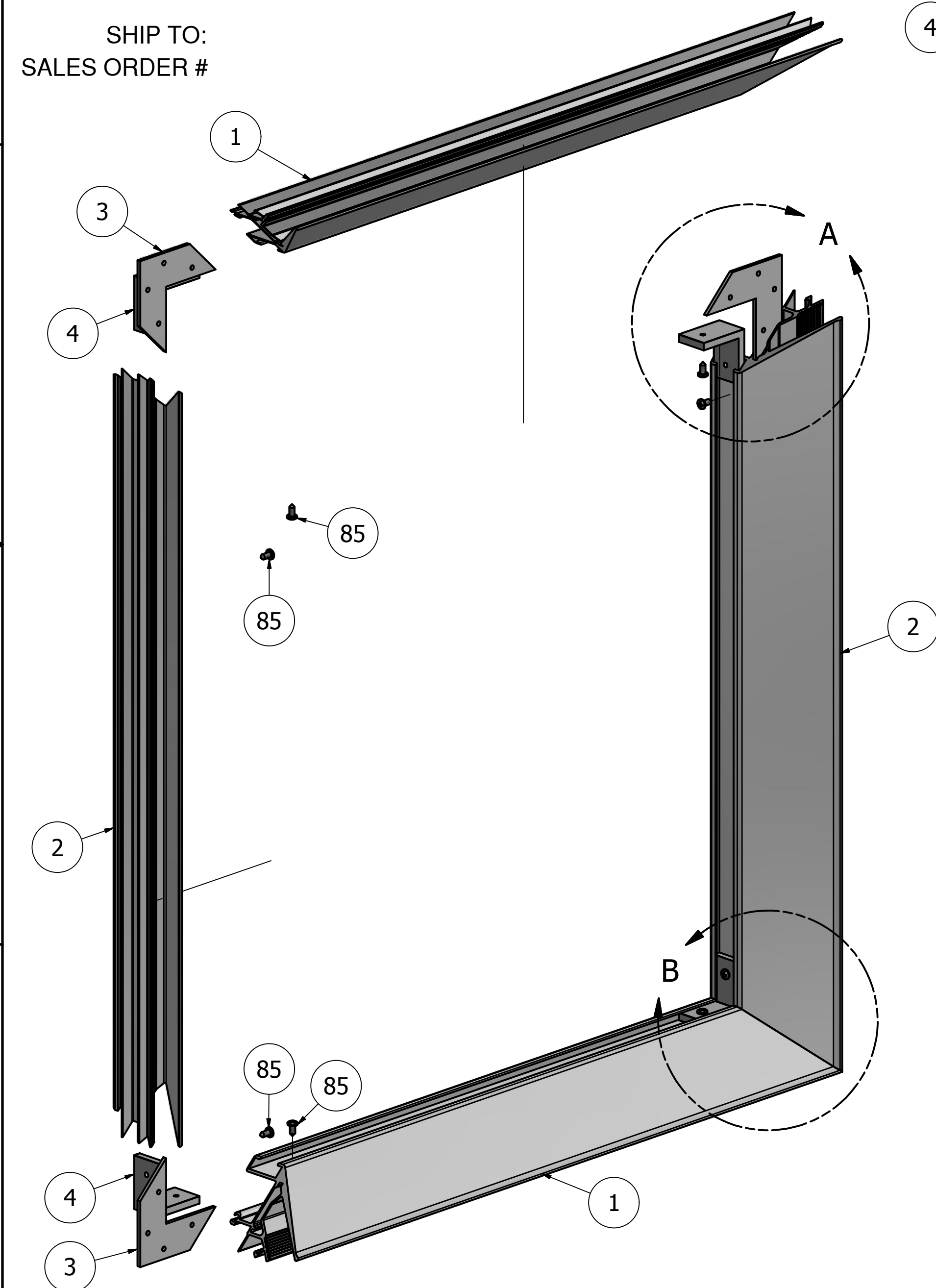


NOTE: THIS FRAME MAY BE BONDED, WELDED OR ASSEMBLED WITH FASTENERS.

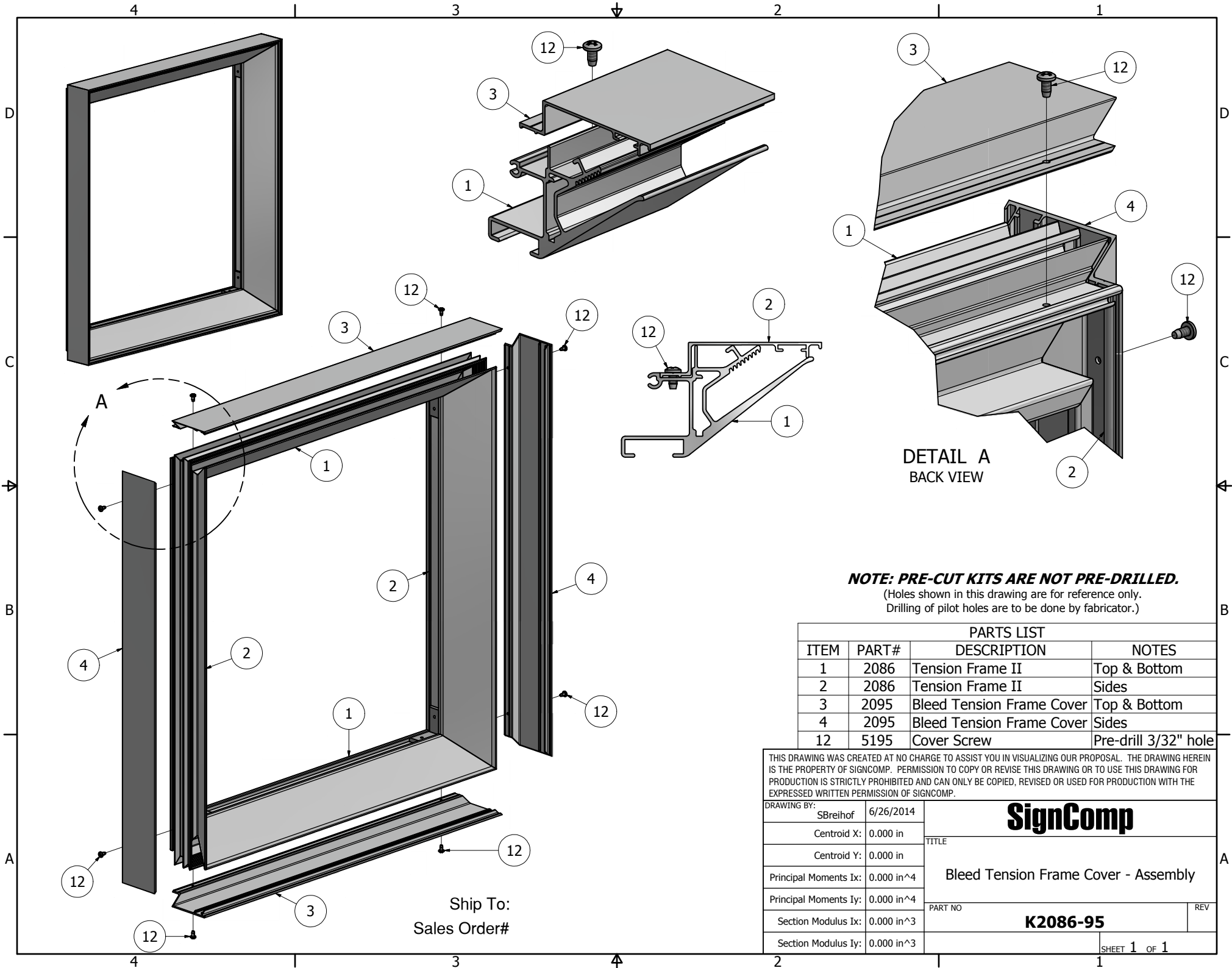


**NOTE: PRE-CUT KITS ARE NOT PRE-DRILLED.**  
(Holes shown in this drawing are for reference only. Drilling of pilot holes are to be done by fabricator.)

SHIP TO:  
SALES ORDER #



THIS DRAWING WAS CREATED AT NO CHARGE TO ASSIST YOU IN VISUALIZING OUR PROPOSAL. THE DRAWING HEREIN IS THE PROPERTY OF SIGNCOMP. PERMISSION TO COPY OR REVISE THIS DRAWING OR TO USE THIS DRAWING FOR PRODUCTION IS STRICTLY PROHIBITED AND CAN ONLY BE COPIED, REVISED OR USED FOR PRODUCTION WITH THE EXPRESSED WRITTEN PERMISSION OF SIGNCOMP.		
DRAWING BY:	SBreihof	4/24/2014
Centroid X:	0.000 in	TITLE
Centroid Y:	0.000 in	
Principal Moments Ix:	0.000 in <sup>4</sup>	Tension Frame II - Assembly
Principal Moments Iy:	0.000 in <sup>4</sup>	
Section Modulus Ix:	0.000 in <sup>3</sup>	PART NO
Section Modulus Iy:	0.000 in <sup>3</sup>	<b>K2086</b>
		REV
		SHEET 1 OF 1



**NOTE: PRE-CUT KITS ARE NOT PRE-DRILLED.**  
 (Holes shown in this drawing are for reference only.  
 Drilling of pilot holes are to be done by fabricator.)

PARTS LIST			
ITEM	PART#	DESCRIPTION	NOTES
1	2086	Tension Frame II	Top & Bottom
2	2086	Tension Frame II	Sides
3	2095	Bleed Tension Frame Cover	Top & Bottom
4	2095	Bleed Tension Frame Cover	Sides
12	5195	Cover Screw	Pre-drill 3/32" hole

THIS DRAWING WAS CREATED AT NO CHARGE TO ASSIST YOU IN VISUALIZING OUR PROPOSAL. THE DRAWING HEREIN IS THE PROPERTY OF SIGNCOMP. PERMISSION TO COPY OR REVISE THIS DRAWING OR TO USE THIS DRAWING FOR PRODUCTION IS STRICTLY PROHIBITED AND CAN ONLY BE COPIED, REVISED OR USED FOR PRODUCTION WITH THE EXPRESSED WRITTEN PERMISSION OF SIGNCOMP.

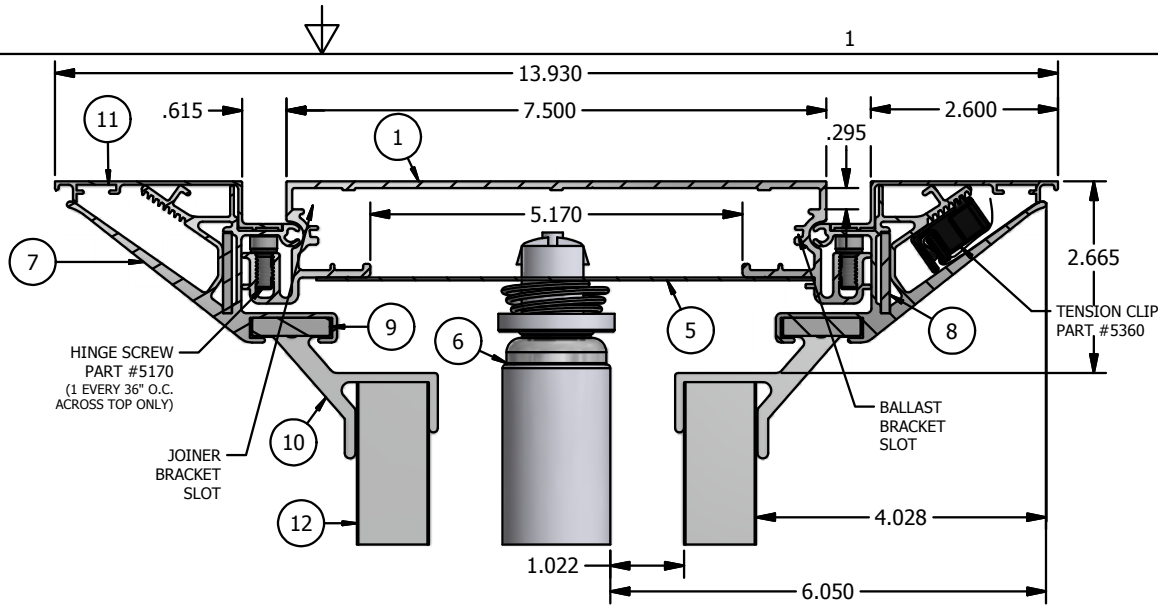
DRAWING BY:		SBreihof 6/26/2014	
Centroid X:		0.000 in	
Centroid Y:		0.000 in	
Principal Moments Ix:		0.000 in^4	
Principal Moments Iy:		0.000 in^4	
Section Modulus Ix:		0.000 in^3	
Section Modulus Iy:		0.000 in^3	
TITLE		<h1 style="text-align: center;">SignComp</h1>	
PART NO		<b>K2086-95</b>	
		REV	

Ship To:  
Sales Order#

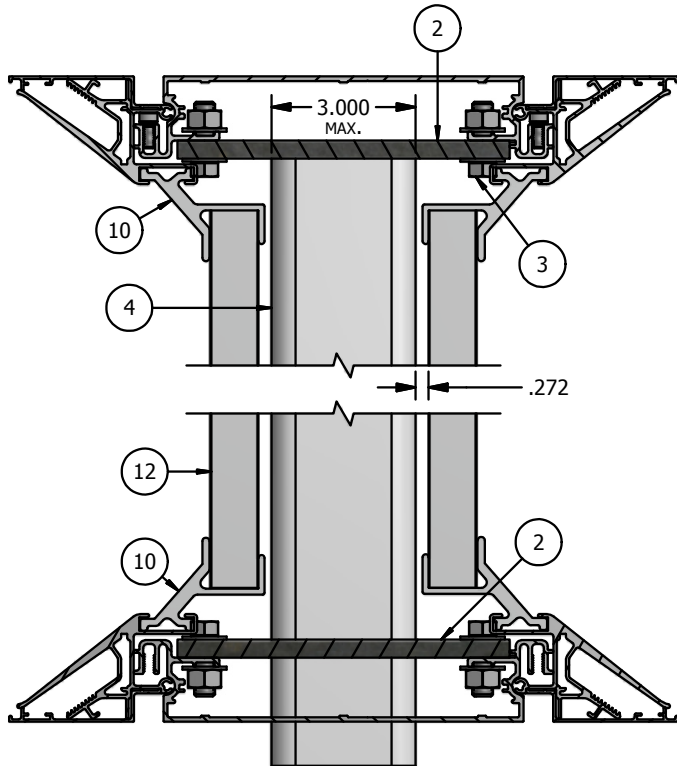
ITEM	PART #	DESCRIPTION
1	2015	Medium Body
2		MB Support Mounting Plate - By Other
3		Main Support Plate Bolt Assembly
4		Main Support
5	5116	Raceway Cover - Blank
6		Lamp & Socket
7	2086	Tension Frame II
8	5210	Corner Key
9	5305	Frame Corner Angle
10	5352	Small Frame Brace
11	2095	Bleed Tension Frame Cover
12	2177	Small Frame Support Tube - 1"

**NOTE: PRE-CUT KITS ARE NOT PRE-DRILLED.**  
 (Holes shown in this drawing are for reference only.  
 Drilling of pilot holes are to be done by fabricator.)

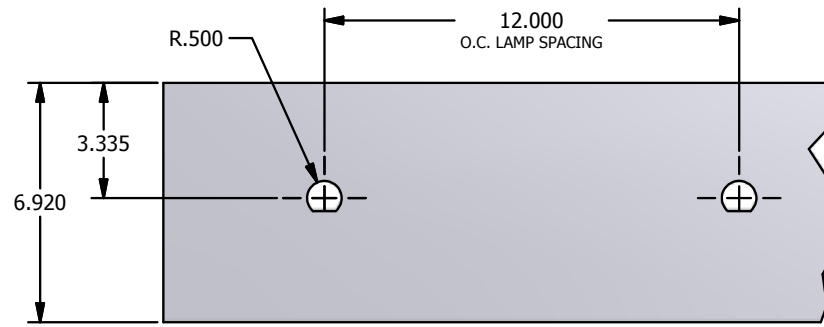
**NOTE: FRAME BRACING GUIDELINES APPLY FOR BOTH THE BLEED AND FRAMED COVERS.**



SECTION VIEW - ELECTRICAL



SECTION VIEW - STRUCTURAL



RACEWAY D-PUNCH DETAIL

**NOTES:**

1. ADD 1" TO SIZE OF CABINET (VERTICAL OR HORIZONTAL) WHEN THE SIZE OF THE CABINET IS THE SAME SIZE AS THE NOMINAL LAMP LENGTH.
2. SIGNCOMP DOES NOT SUPPLY THE BALLAST(S), LAMPS OR LAMP SOCKETS.
3. SIGNCOMP DOES NOT SUPPLY MAIN SUPPORT.

**NOTE:**

All structural detailing for sign construction is the sole responsibility of the sign contractor. All details shown here should be considered as **DESIGN INTENT ONLY**. The sign fabricator shall provide engineering drawings stamped by a licenced structural engineer.

THIS DRAWING WAS CREATED AT NO CHARGE TO ASSIST YOU IN VISUALIZING OUR PROPOSAL. THE DRAWING HEREIN IS THE PROPERTY OF SIGNCOMP. PERMISSION TO COPY OR REVISE THIS DRAWING OR TO USE THIS DRAWING FOR PRODUCTION IS STRICTLY PROHIBITED AND CAN ONLY BE COPIED, REVISED OR USED FOR PRODUCTION WITH THE EXPRESSED WRITTEN PERMISSION OF SIGNCOMP.

Project Name:	MB w/ Tension Frame II & Cover - Cross Sect.
	Revision:
Sign Company:	SignComp
	SBreihof
Sheet:	1 of 1
Size:	A
Date:	9/15/2014
Drawing By:	SBreihof

**SignComp**

2

1

2

1