

2



1

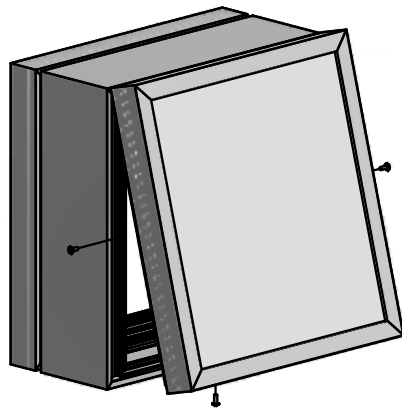
PARTS LIST

ITEM	PART#	DESCRIPTION	NOTES
1	K2015	Medium Body	Assembly
2	K2086/84	Tension Frame II / 1-1/2" Frame Cover	Assembly
10	5170	Hinge Screw	Pre-drill a 3/8" hole - Top - 36" o/c
11	5180	Closure Screw	Pre-drill a 3/8" hole - Sides & Bottom - 48" o/c

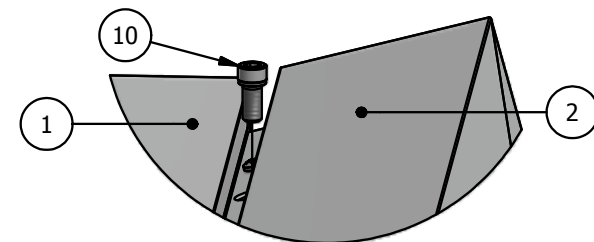
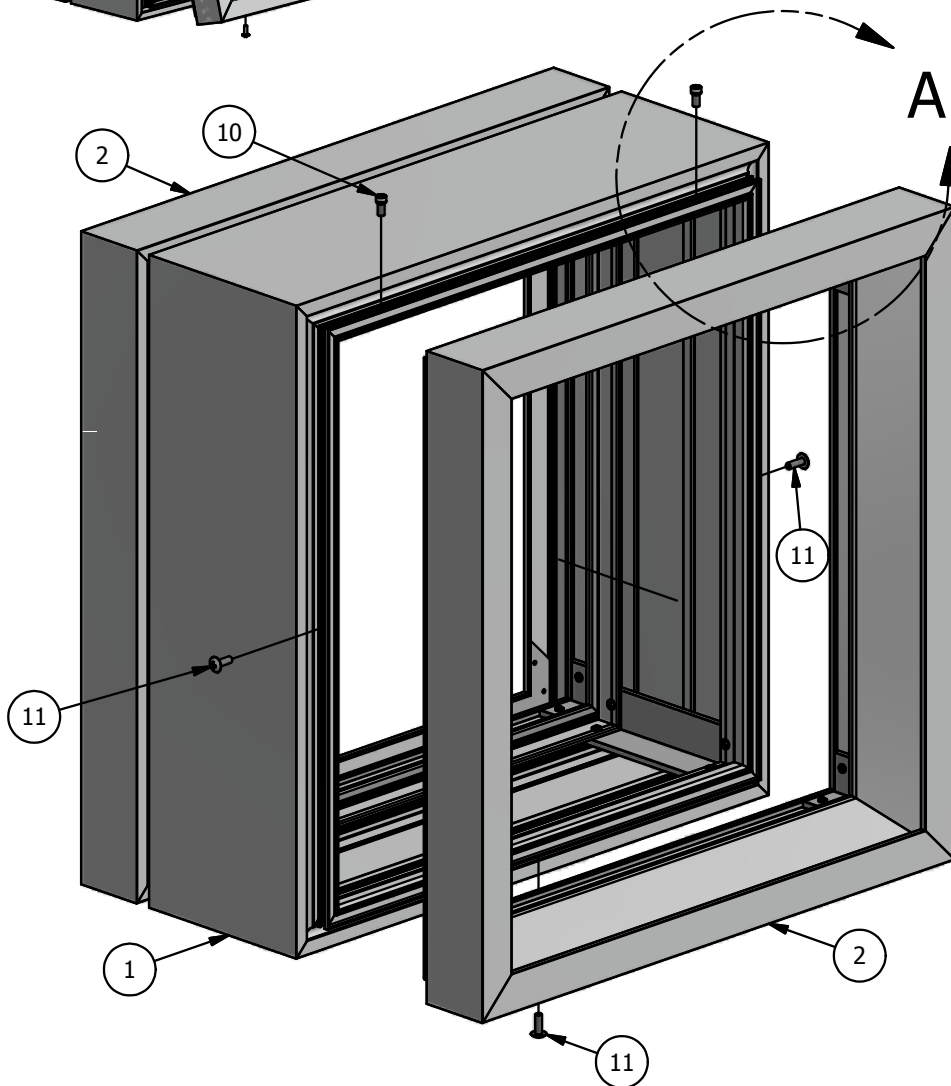
NOTE: PRE-CUT KITS ARE NOT PRE-DRILLED.

(Holes shown in this drawing are for reference only.
Drilling of pilot holes are to be done by fabricator.)

Ship To:
Sales Order #

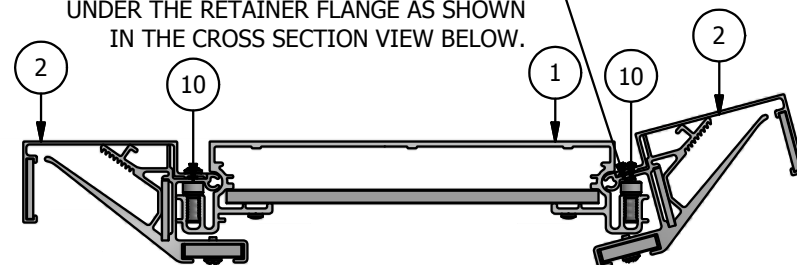


B

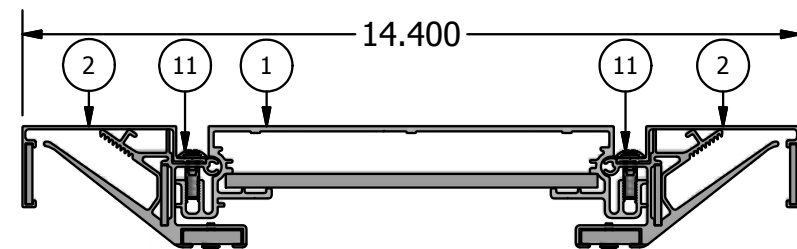


DETAIL A
FRAME HINGED

DRIVE THE HINGE SCREW DOWN INTO THE BODY SO THE HEAD OF THE SCREW IS UNDER THE RETAINER FLANGE AS SHOWN IN THE CROSS SECTION VIEW BELOW.



TOP CROSS-SECTION VIEW



SIDE CROSS-SECTION
FRAME CLOSED

2



1

THIS DRAWING WAS CREATED AT NO CHARGE TO ASSIST YOU IN VISUALIZING OUR PROPOSAL. THE DRAWING HEREIN IS THE PROPERTY OF SIGNCOMP. PERMISSION TO COPY OR REVISE THIS DRAWING OR TO USE THIS DRAWING FOR PRODUCTION IS STRICTLY PROHIBITED AND CAN ONLY BE COPIED, REVISED OR USED FOR PRODUCTION WITH THE EXPRESSED WRITTEN PERMISSION OF SIGNCOMP.

Project Name: Medium Body w/ Tension Frame II & 1-1/2" Frame Cover
Sign Company: KMB/86/84
Revision: SBreihof
Date: 4/7/2015
Sheet: 1 of 1
Size: A

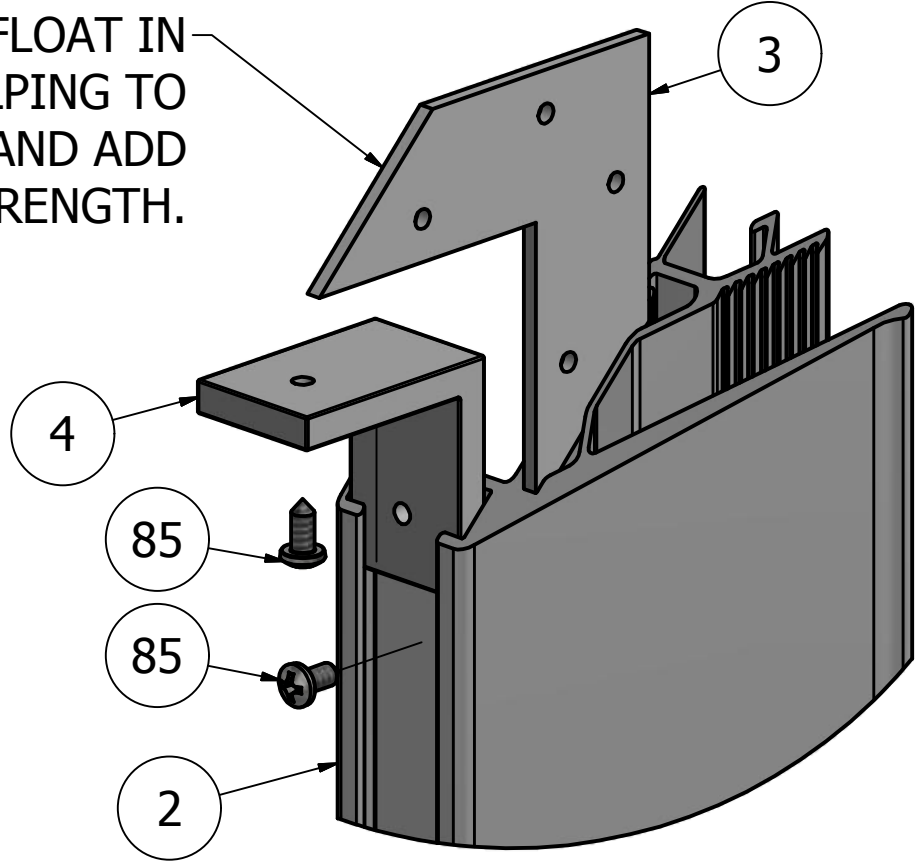
SignComp

B

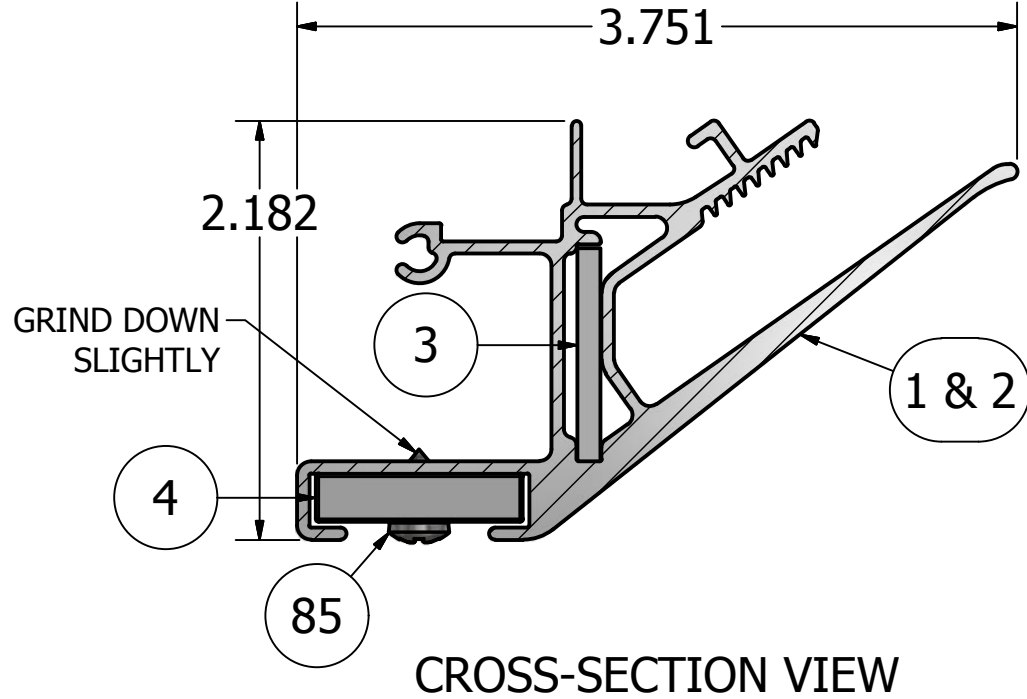
A

PARTS LIST			
ITEM	PART#	DESCRIPTION	NOTES
1	2086	Tension Frame II	Top & Bottom
2	2086	Tension Frame II	Sides
3	5210	Corner Key	
4	5305	Frame Corner Angle	
85	5218	Corner Angle Screw	Pre-drill 5/32" hole

THE CORNER KEYS FLOAT IN THE EXTRUSION HELPING TO ALIGN THE MITERS AND ADD STRENGTH.

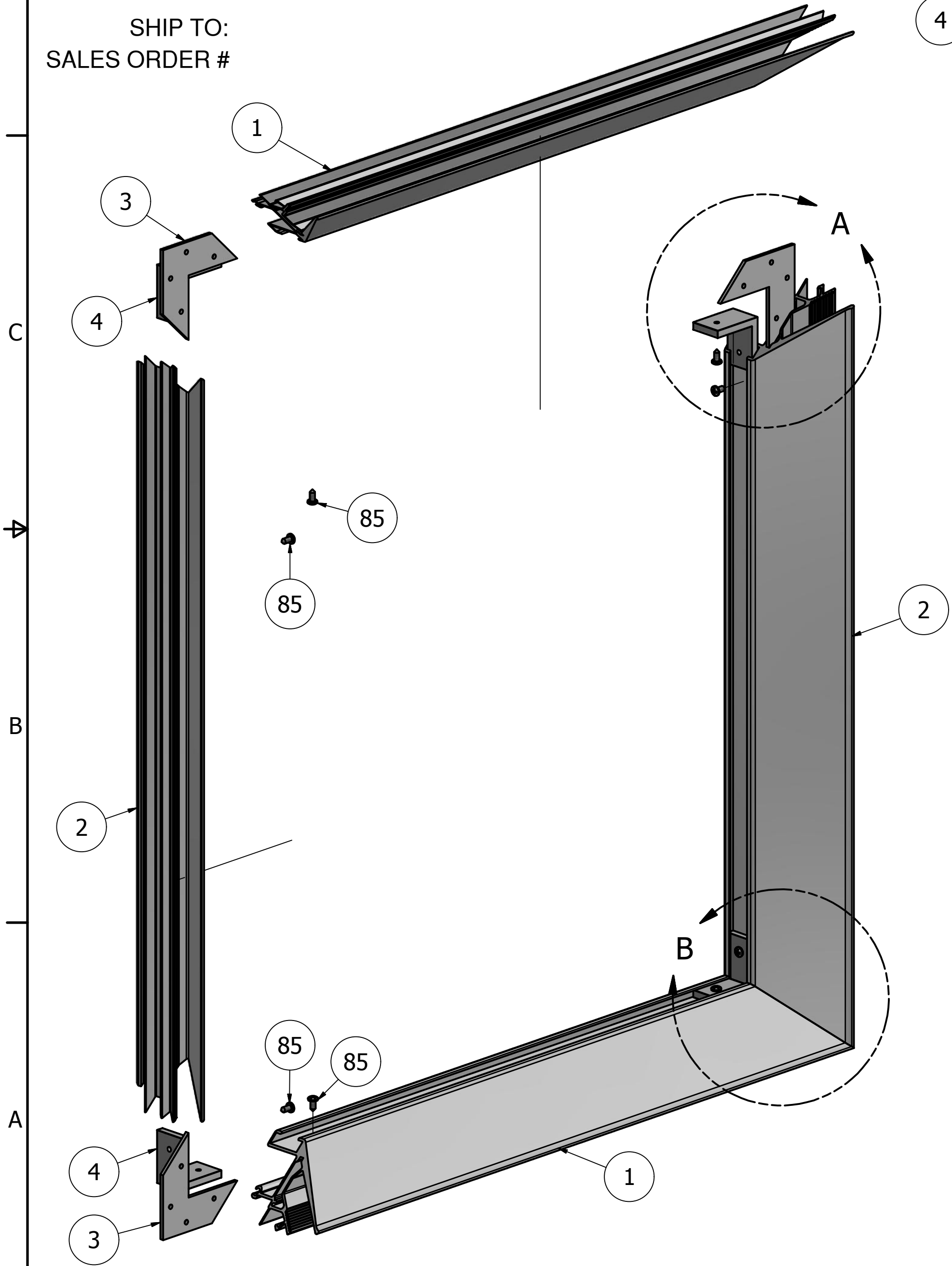


DETAIL A

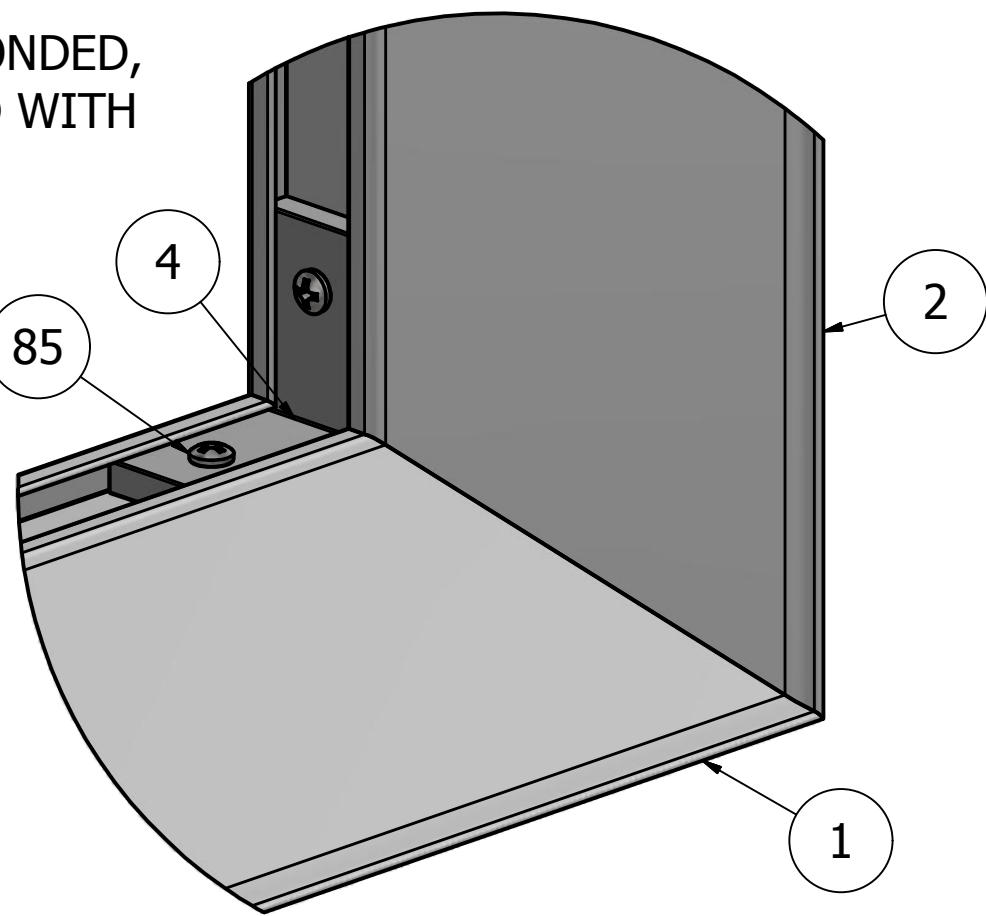


CROSS-SECTION VIEW

SHIP TO:
SALES ORDER #



NOTE: THIS FRAME MAY BE BONDED, WELDED OR ASSEMBLED WITH FASTENERS.



DETAIL B

NOTE: PRE-CUT KITS ARE NOT PRE-DRILLED.
(Holes shown in this drawing are for reference only. Drilling of pilot holes are to be done by fabricator.)

THIS DRAWING WAS CREATED AT NO CHARGE TO ASSIST YOU IN VISUALIZING OUR PROPOSAL. THE DRAWING HEREIN IS THE PROPERTY OF SIGNCOMP. PERMISSION TO COPY OR REVISE THIS DRAWING OR TO USE THIS DRAWING FOR PRODUCTION IS STRICTLY PROHIBITED AND CAN ONLY BE COPIED, REVISED OR USED FOR PRODUCTION WITH THE EXPRESSED WRITTEN PERMISSION OF SIGNCOMP.

DRAWING BY:	SBreihof	4/24/2014	SignComp
Centroid X:	0.000 in	Centroid Y:	
Principal Moments Ix:	0.000 in ⁴	Principal Moments Iy:	0.000 in ⁴
Section Modulus Ix:	0.000 in ³	Section Modulus Iy:	0.000 in ³
TITLE			Tension Frame II - Assembly
PART NO			K2086
REV			
SHEET			1 OF 1

2

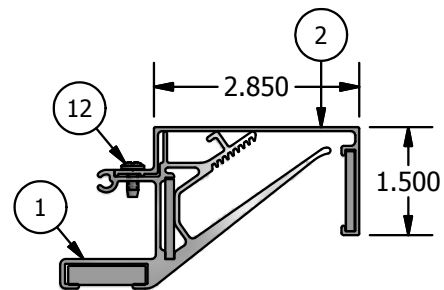
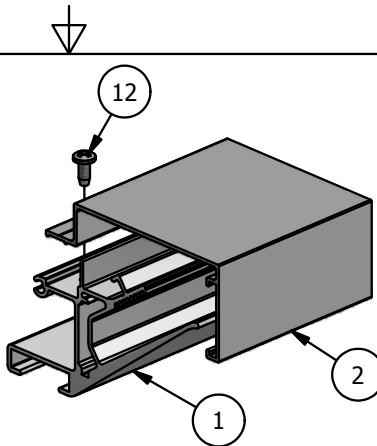
1

PARTS LIST

ITEM	PART #	DESCRIPTION	NOTES
1	K2086	Tension Frame II	Assembly
2	2084	1 1/2" Tension Frame Cover	All Sides
3	5210	Corner Key	
12	5195	Cover Screw	Pre-drill 1/8" holes 24" o/c

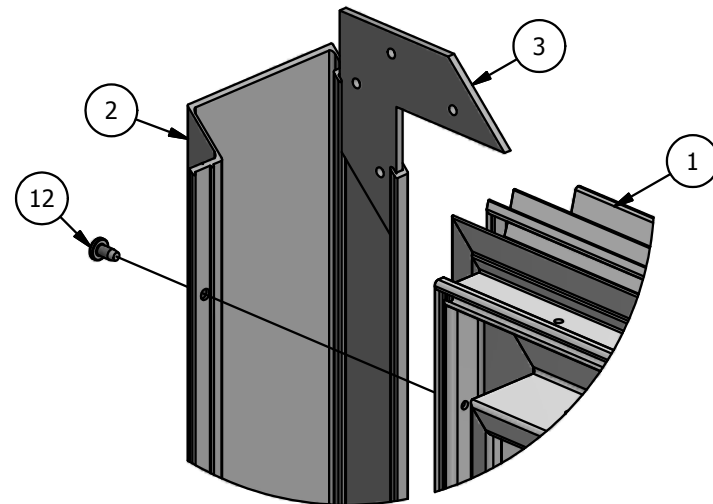
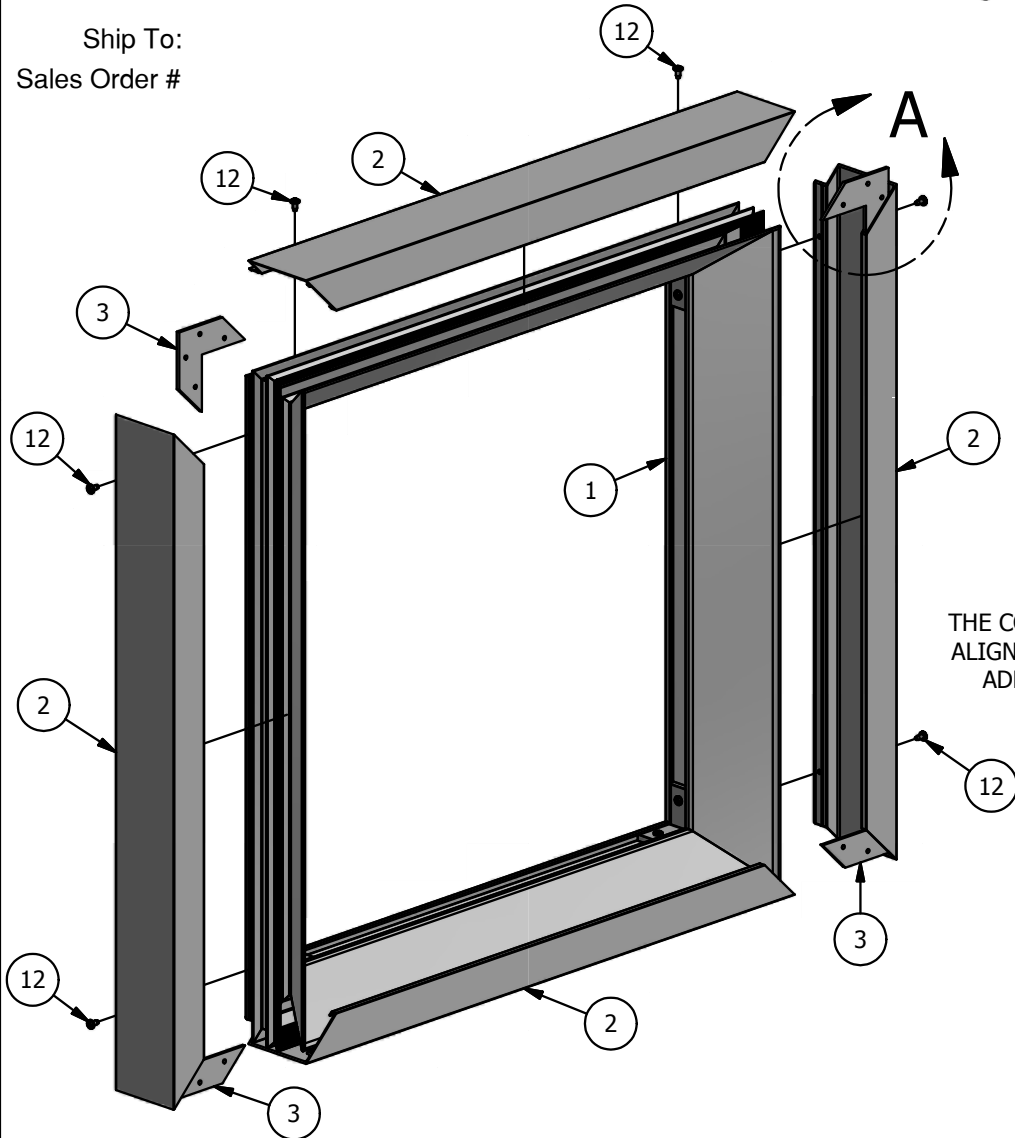
NOTE: PRE-CUT KITS ARE NOT PRE-DRILLED.

(Holes shown in this drawing are for reference only. Drilling of pilot holes are to be done by fabricator.)



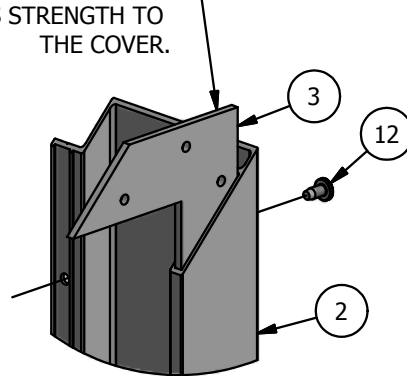
B

Ship To:
Sales Order #

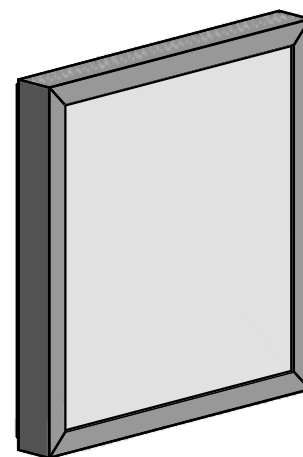


**DETAIL A
BACK VIEW**

THE CORNER KEY HELPS
ALIGN THE MITRES AND
ADDS STRENGTH TO
THE COVER.



**DETAIL A
FRONT VIEW**



A

2

1

1

THIS DRAWING WAS CREATED AT NO CHARGE TO ASSIST YOU IN VISUALIZING OUR PROPOSAL. THE DRAWING HEREIN IS THE PROPERTY OF SIGNCOMP. PERMISSION TO COPY OR REVISE THIS DRAWING OR TO USE THIS DRAWING FOR PRODUCTION IS STRICTLY PROHIBITED AND CAN ONLY BE COPIED, REVISED OR USED FOR PRODUCTION WITH THE EXPRESSED WRITTEN PERMISSION OF SIGNCOMP.

Part Name:	Part Name
Part Number:	Part Number
Revision:	
Date:	3/31/2015
Drawing By:	SBreihof
Sheet:	1 of 1
Size:	A

SignComp

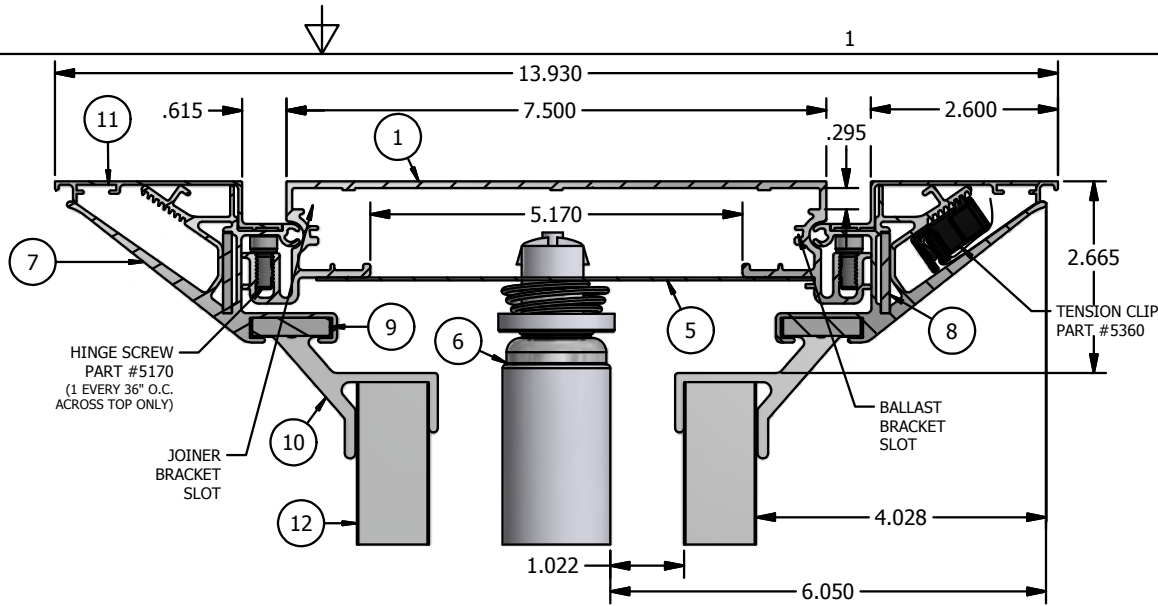
B

A

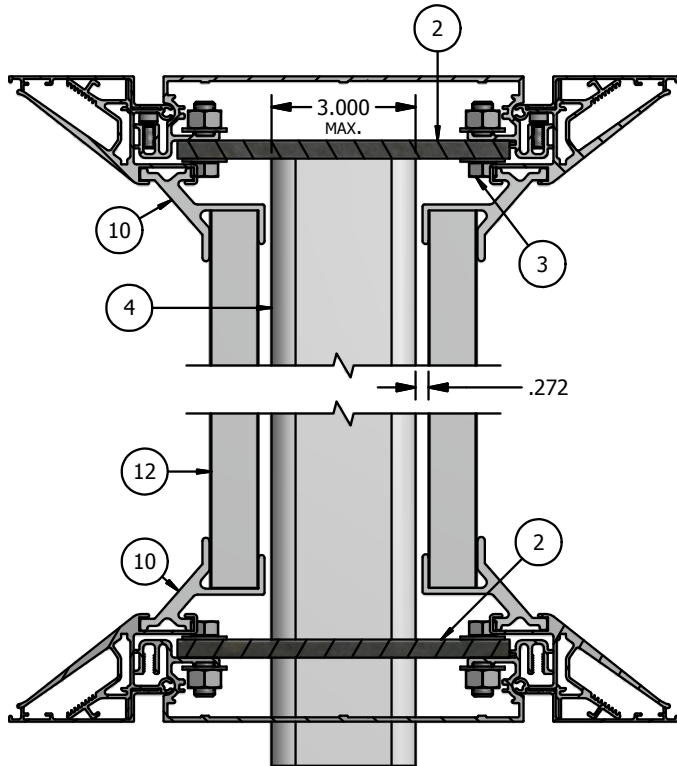
ITEM	PART #	DESCRIPTION
1	2015	Medium Body
2		MB Support Mounting Plate - By Other
3		Main Support Plate Bolt Assembly
4		Main Support
5	5116	Raceway Cover - Blank
6		Lamp & Socket
7	2086	Tension Frame II
8	5210	Corner Key
9	5305	Frame Corner Angle
10	5352	Small Frame Brace
11	2095	Bleed Tension Frame Cover
12	2177	Small Frame Support Tube - 1"

NOTE: PRE-CUT KITS ARE NOT PRE-DRILLED.
 (Holes shown in this drawing are for reference only.
 Drilling of pilot holes are to be done by fabricator.)

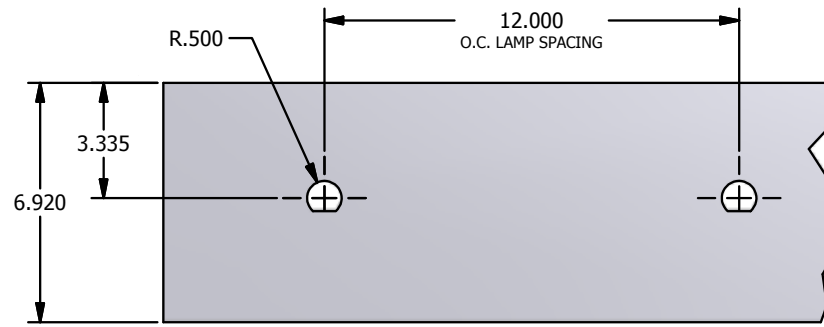
NOTE: FRAME BRACING GUIDELINES APPLY FOR BOTH THE BLEED AND FRAMED COVERS.



SECTION VIEW - ELECTRICAL



SECTION VIEW - STRUCTURAL



RACEWAY D-PUNCH DETAIL

NOTES:

1. ADD 1" TO SIZE OF CABINET (VERTICAL OR HORIZONTAL) WHEN THE SIZE OF THE CABINET IS THE SAME SIZE AS THE NOMINAL LAMP LENGTH.
2. SIGNCOMP DOES NOT SUPPLY THE BALLAST(S), LAMPS OR LAMP SOCKETS.
3. SIGNCOMP DOES NOT SUPPLY MAIN SUPPORT.

NOTE:

All structural detailing for sign construction is the sole responsibility of the sign contractor. All details shown here should be considered as **DESIGN INTENT ONLY**. The sign fabricator shall provide engineering drawings stamped by a licenced structural engineer.

THIS DRAWING WAS CREATED AT NO CHARGE TO ASSIST YOU IN VISUALIZING OUR PROPOSAL. THE DRAWING HEREIN IS THE PROPERTY OF SIGNCOMP. PERMISSION TO COPY OR REVISE THIS DRAWING OR TO USE THIS DRAWING FOR PRODUCTION IS STRICTLY PROHIBITED AND CAN ONLY BE COPIED, REVISED OR USED FOR PRODUCTION WITH THE EXPRESSED WRITTEN PERMISSION OF SIGNCOMP.

Project Name:	MB w/ Tension Frame II & Cover - Cross Sect.
Sign Company:	SignComp
Revision:	9/15/2014
Drawing By:	SBreihof
Sheet:	1 of 1
Size:	A

SignComp

2

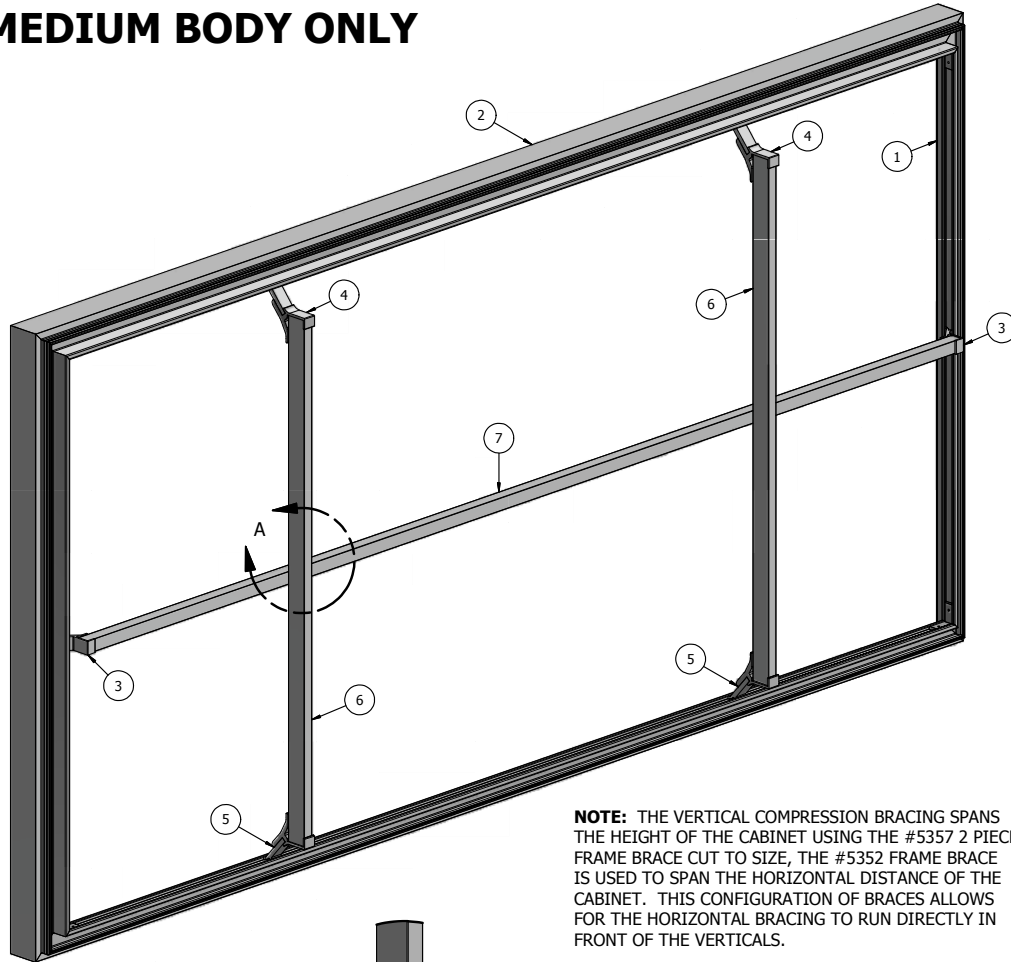
1

2

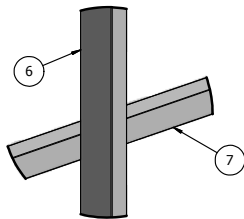
1

OPTIONAL FOR T12s

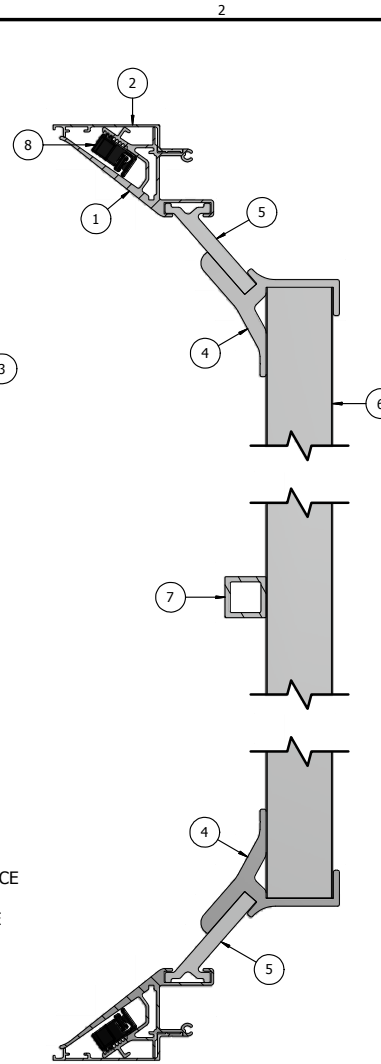
MEDIUM BODY ONLY



NOTE: THE VERTICAL COMPRESSION BRACING SPANS THE HEIGHT OF THE CABINET USING THE #5357 2 PIECE FRAME BRACE CUT TO SIZE, THE #5352 FRAME BRACE IS USED TO SPAN THE HORIZONTAL DISTANCE OF THE CABINET. THIS CONFIGURATION OF BRACES ALLOWS FOR THE HORIZONTAL BRACING TO RUN DIRECTLY IN FRONT OF THE VERTICALS.

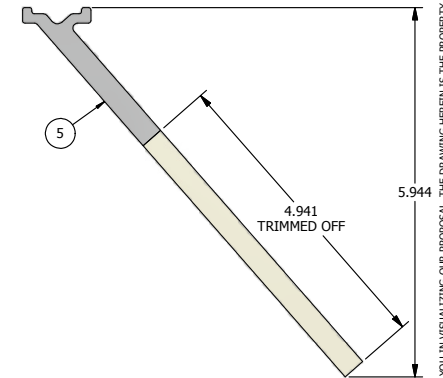


DETAIL A



FRAME CROSS-SECTION
VERTICAL BRACING

ITEM	PART #	DESCRIPTION
1	2085	Tension Frame II
2	2095	Bleed Tension Frame Cover
3	5352	Small Frame Brace
4	5357 - Yolk	2 Piece Frame Brace - Yolk
5	5357 - Arm	2 Piece Frame Brace - Arm
6	2175	Frame Support Tube - Vertical
7	2177	Small Frame Support Tube - Horizontal
8	5360	Tension Clip



PART #5357 - ARM
TRIMMING DETAILS

NOTE:
All structural detailing for sign construction is the sole responsibility of the sign contractor. All details shown here should be considered as **DESIGN INTENT ONLY**. The sign fabricator shall provide engineering drawings stamped by a licensed structural engineer.

THIS DRAWING WAS CREATED AT NO CHARGE TO ASSIST YOU IN VISUALIZING OUR PROPOSAL. THE DRAWING HEREIN IS THE PROPERTY OF SIGNCOMP. PERMISSION TO COPY OR REVISE THIS DRAWING OR TO USE THIS DRAWING FOR PRODUCTION IS STRICTLY PROHIBITED AND CAN ONLY BE COPIED, REVISED OR USED FOR PRODUCTION WITH THE EXPRESSED WRITTEN PERMISSION OF SIGNCOMP.

Project Name: Cross Over Compression Bracing-5352/5357 T12 Sheet: 1 of 1 Size: B
Sign Company: 2086 Drawing By: SBrehof Date: 10/22/2014 Revision:

SignComp