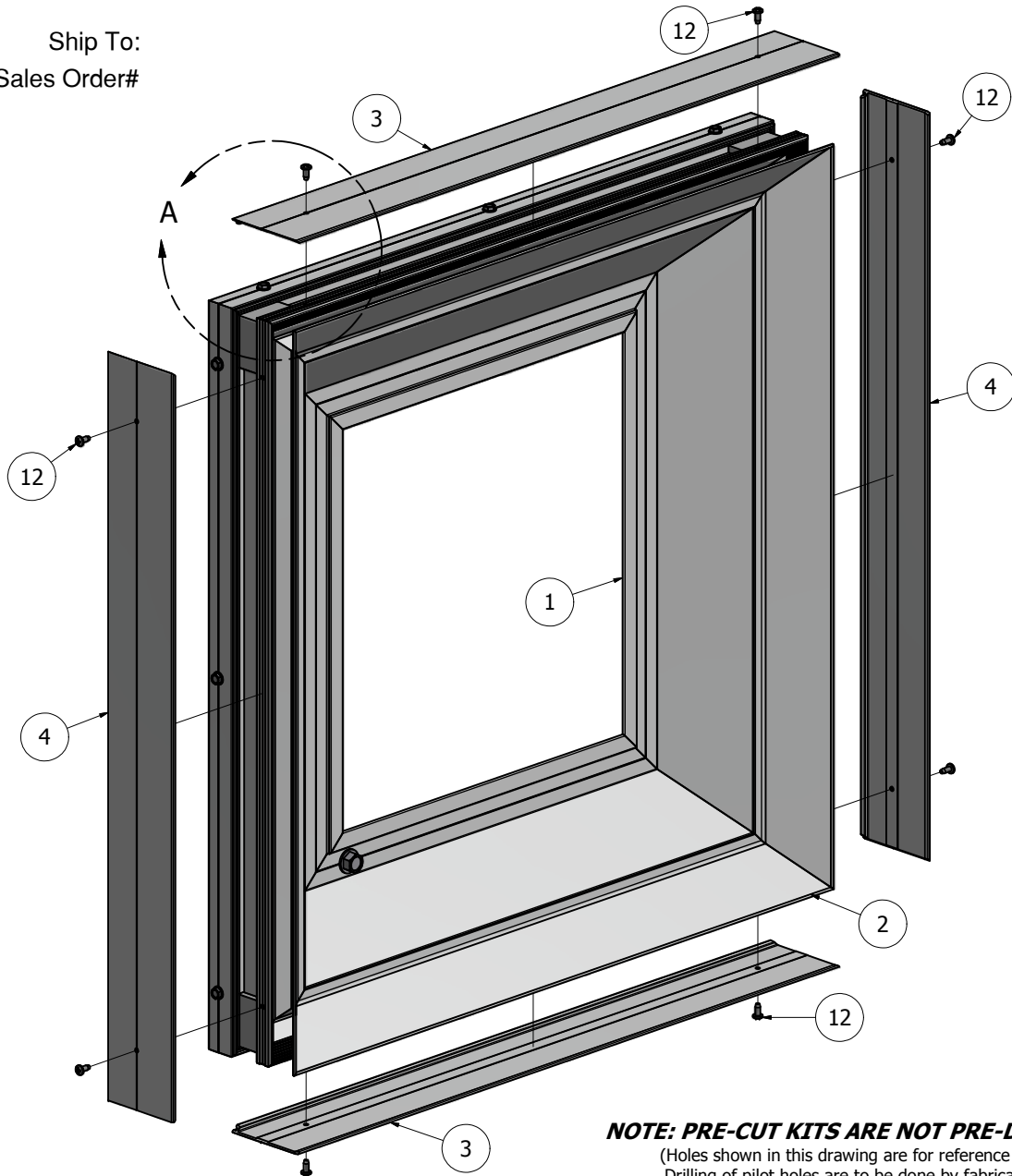
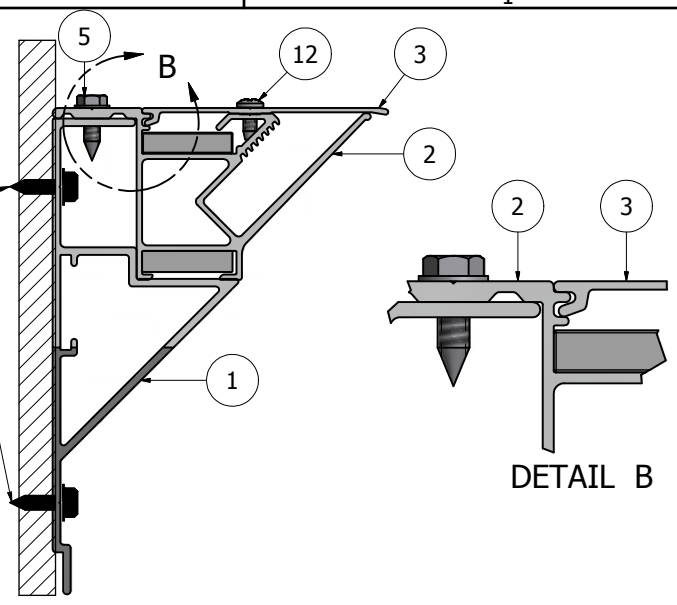


PARTS LIST			
ITEM	PART#	DESCRIPTION	NOTES
1	K2100	Wall Mount Frame	Assembly
2	K2104	Flat Bleed Retro Frame	Assembly
3	2121	Flat Bleed Retro Frame Cover	Top & Bottom
4	2121	Flat Bleed Retro Frame Cover	Sides
5		Flat Bleed Retro Frame Attachment Fastener	By Other
12	5195	Cover Screw	Pre-drill a 3/32" hole

Ship To:
Sales Order#

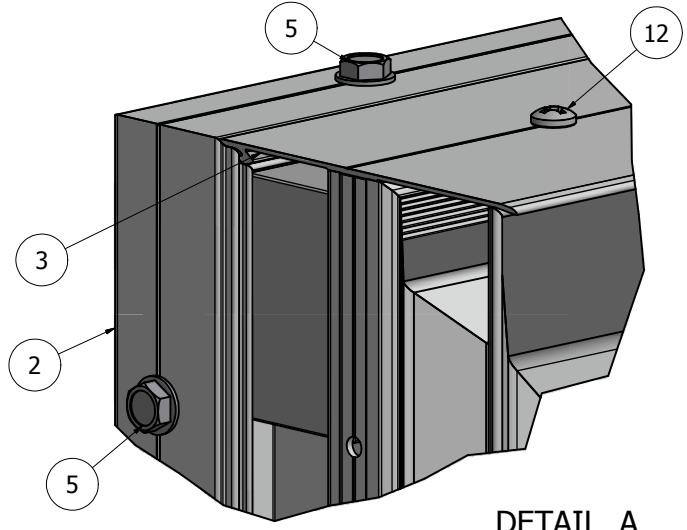


WALL ATTACHMENT FASTENER



CROSS-SECTION VIEW

DETAIL B



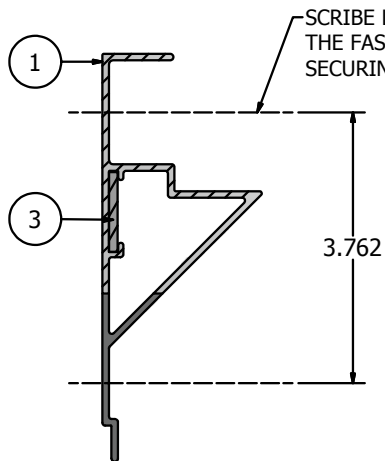
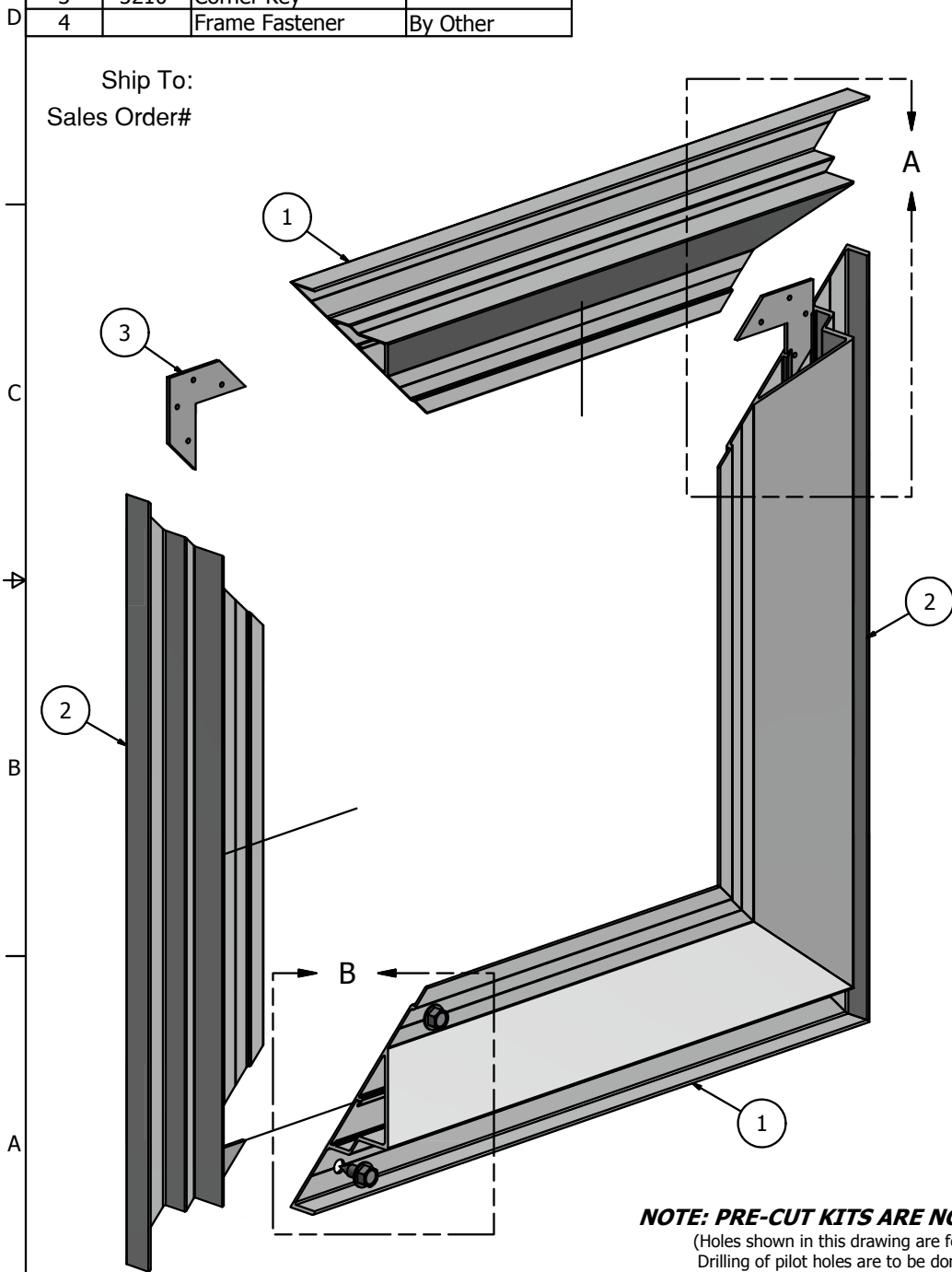
DETAIL A

NOTE: PRE-CUT KITS ARE NOT PRE-DRILLED.
(Holes shown in this drawing are for reference only.
Drilling of pilot holes are to be done by fabricator.)

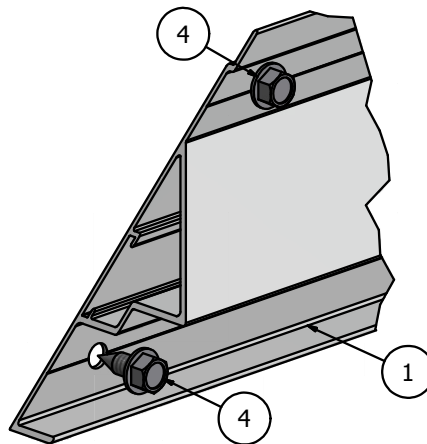
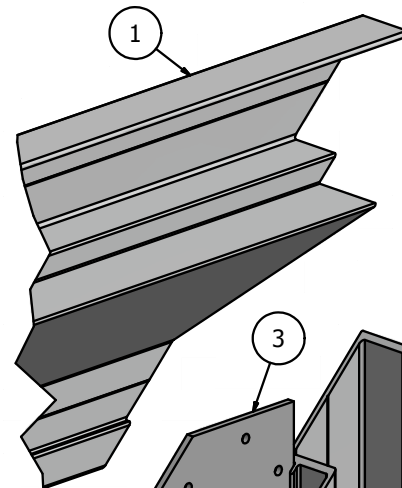
THIS DRAWING WAS CREATED AT NO CHARGE TO ASSIST YOU IN VISUALIZING OUR PROPOSAL. THE DRAWING HEREIN IS THE PROPERTY OF SIGNCOMP. PERMISSION TO COPY OR REVISE THIS DRAWING OR TO USE THIS DRAWING FOR PRODUCTION IS STRICTLY PROHIBITED AND CAN ONLY BE COPIED, REVISED OR USED FOR PRODUCTION WITH THE EXPRESSED WRITTEN PERMISSION OF SIGNCOMP.		
DRAWING BY:	SBreihof	4/21/2014
Centroid X:	0.000 in	
Centroid Y:	0.000 in	
Principal Moments Ix:	0.000 in ⁴	
Principal Moments Iy:	0.000 in ⁴	
Section Modulus Ix:	0.000 in ³	
Section Modulus Iy:	0.000 in ³	
		TITLE
		<p>Wall Mount Frame and Flat Bleed Retro Frame and Bleed Cover - Assembly</p>
PART NO		REV
<p>K2100-2104-2121</p>		
SHEET 1 OF 1		

PARTS LIST			
ITEM	PART#	DESCRIPTION	NOTES
1	2100	Wall Mount Frame	Top & Bottom
2	2100	Wall Mount Frame	Sides
3	5210	Corner Key	
4		Frame Fastener	By Other

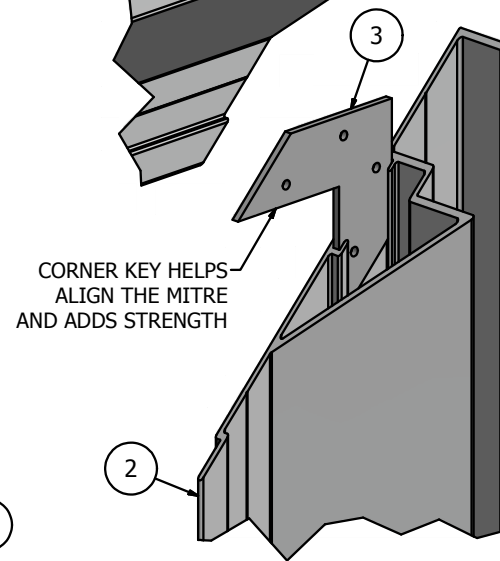
Ship To:
Sales Order#



CROSS-SECTION VIEW



DETAIL B
FASTENER PLACEMENT



DETAIL A

CORNER KEY HELPS
ALIGN THE MITRE
AND ADDS STRENGTH

NOTE: PRE-CUT KITS ARE NOT PRE-DRILLED.

(Holes shown in this drawing are for reference only.
Drilling of pilot holes are to be done by fabricator.)

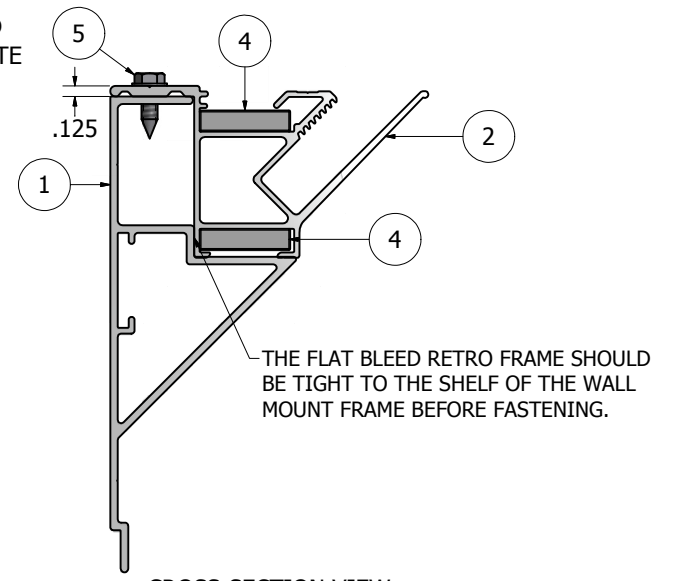
THIS DRAWING WAS CREATED AT NO CHARGE TO ASSIST YOU IN VISUALIZING OUR PROPOSAL. THE DRAWING HEREIN IS THE PROPERTY OF SIGNCOMP. PERMISSION TO COPY OR REVISE THIS DRAWING OR TO USE THIS DRAWING FOR PRODUCTION IS STRICTLY PROHIBITED AND CAN ONLY BE COPIED, REVISED OR USED FOR PRODUCTION WITH THE EXPRESSED WRITTEN PERMISSION OF SIGNCOMP.

DRAWING BY:	SBreihof	4/21/2014
Centroid X:	0.000 in	
Centroid Y:	0.000 in	
Principal Moments Ix:	0.000 in ⁴	
Principal Moments Iy:	0.000 in ⁴	
Section Modulus Ix:	0.000 in ³	
Section Modulus Iy:	0.000 in ³	

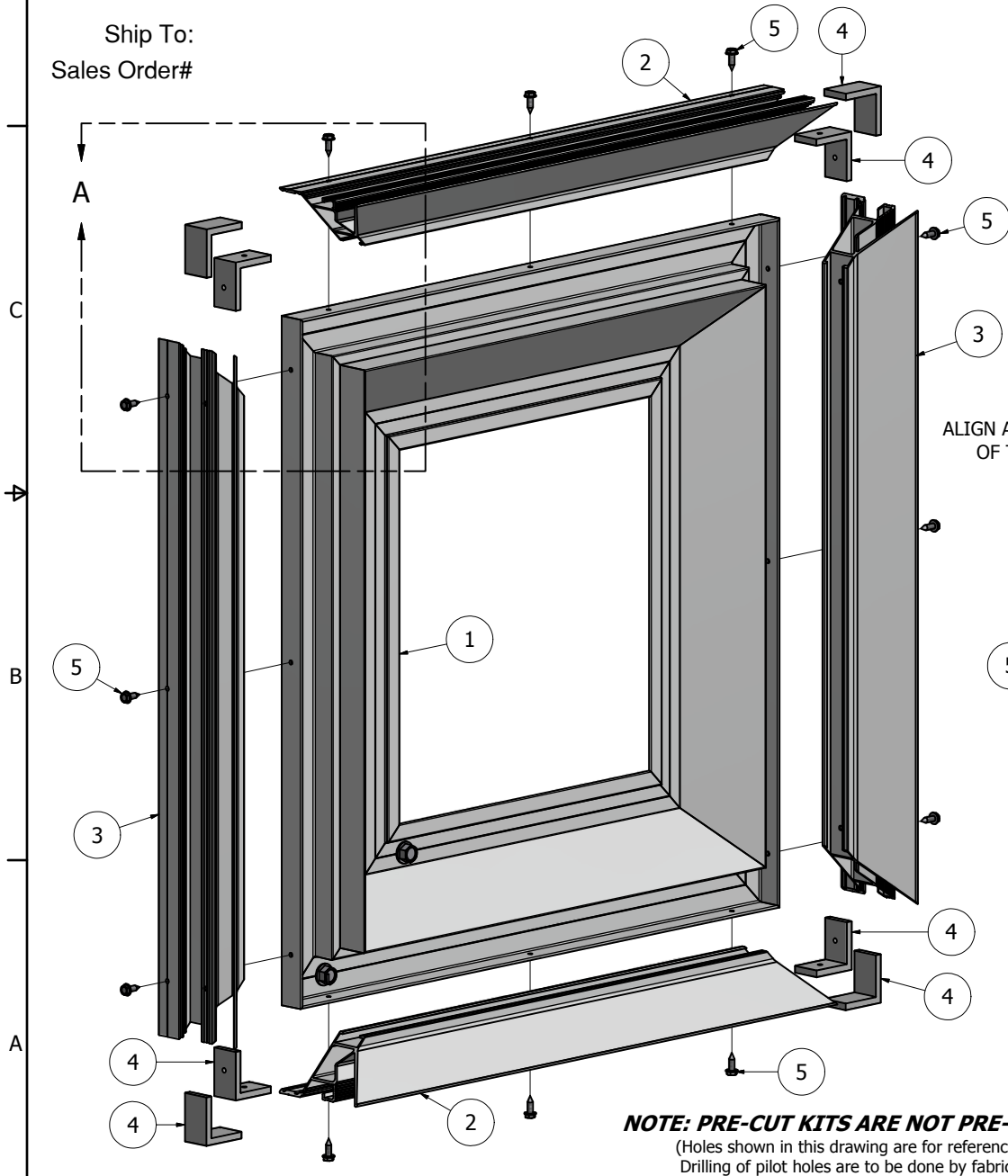
SignComp		TITLE
		Wall Mount Frame - Assembly
PART NO	K2100	REV
SHEET 1 OF 1		

ITEM	PART#	DESCRIPTION	NOTES
1	K2100	Wall Mount Frame	Assembly
2	2104	Flat Bleed Retro Frame	Top & Bottom
3	2104	Flat Bleed Retro Frame	Sides
4	5305	Frame Corner Angle	
5		Flat Bleed Retro Frame Attachment Fastener	By Other

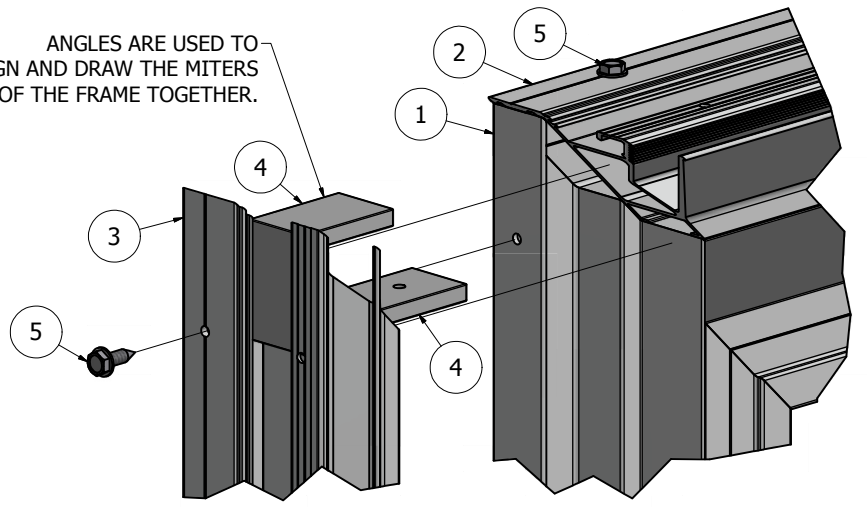
NOTE: THE FLANGE OF THE FLAT BLEED RETRO WILL ALSO ACCOMMODATE A COUNTERSINK ATTACHMENT FASTENER.



Ship To:
Sales Order#



ANGLES ARE USED TO ALIGN AND DRAW THE MITERS OF THE FRAME TOGETHER.



NOTE: PRE-CUT KITS ARE NOT PRE-DRILLED.
(Holes shown in this drawing are for reference only. Drilling of pilot holes are to be done by fabricator.)

THIS DRAWING WAS CREATED AT NO CHARGE TO ASSIST YOU IN VISUALIZING OUR PROPOSAL. THE DRAWING HEREIN IS THE PROPERTY OF SIGNCOMP. PERMISSION TO COPY OR REVISE THIS DRAWING OR TO USE THIS DRAWING FOR PRODUCTION IS STRICTLY PROHIBITED AND CAN ONLY BE COPIED, REVISED OR USED FOR PRODUCTION WITH THE EXPRESSED WRITTEN PERMISSION OF SIGNCOMP.

DRAWING BY:	SBreihof	4/21/2014
Centroid X:	0.000 in	
Centroid Y:	0.000 in	
Principal Moments Ix:	0.000 in ⁴	
Principal Moments Iy:	0.000 in ⁴	
Section Modulus Ix:	0.000 in ³	
Section Modulus Iy:	0.000 in ³	

SignComp		TITLE
		Wall Mount Frame and Flat Bleed Retro Frame - Assembly
PART NO	K2100-2104	REV
		SHEET 1 OF 1