

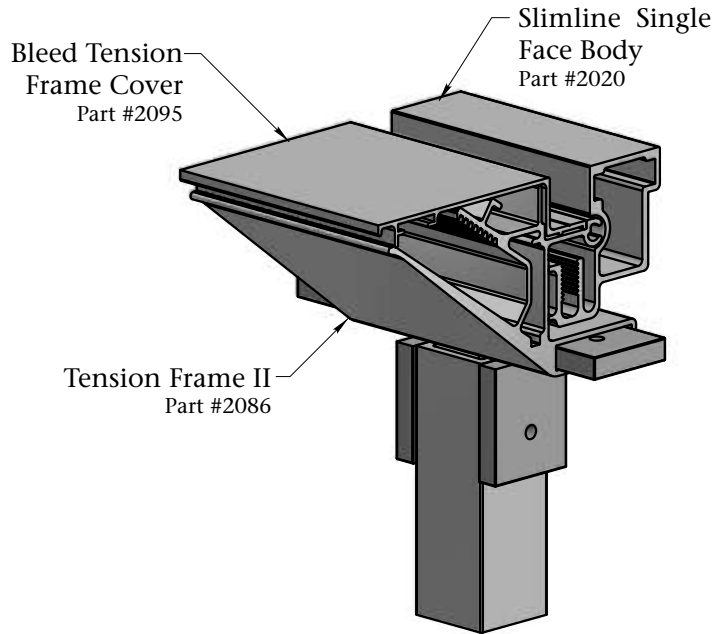
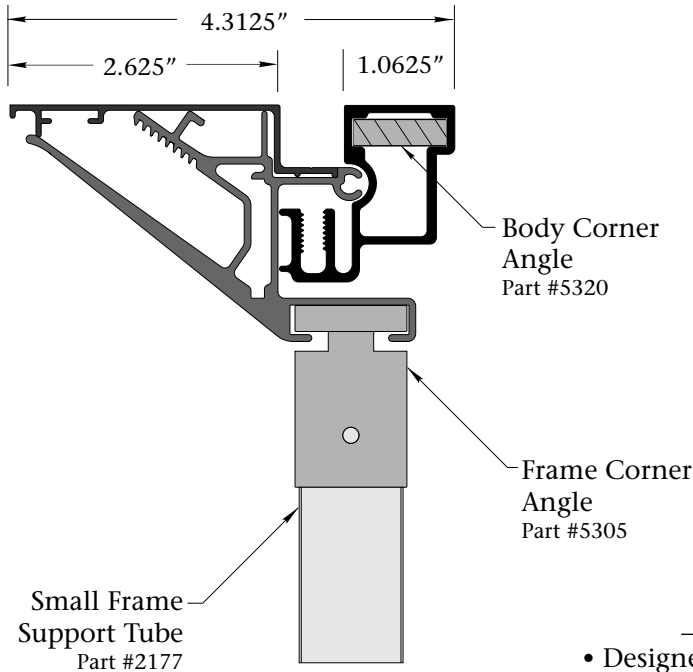


PRODUCT INFORMATION SHEET:

Slimline Single Face Body



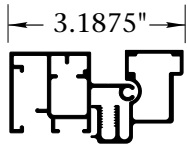
Part Number	Part	Length	Finish
2020	Slimline Single Face Body	24'-6"	Mill Pre-painted



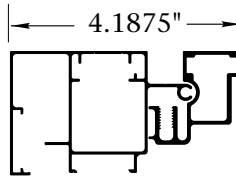
Features & Benefits

- Designed for applications using LED lighting components.
- 7 hingeable retainer options for rigid or flexible faces.
- Frame Brace and Frame Support Tube assemblies available to reinforce tension and compression loads.

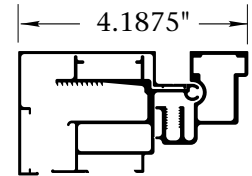
Retainer Options



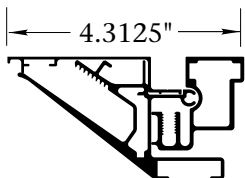
1-1/2" Retainer II
Part #2053



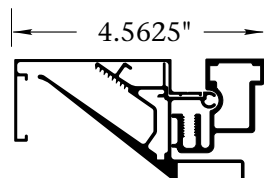
2-1/4" Retainer
Part #2045



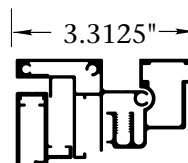
Dual Frame
w/ 2-1/4" Dual Frame Cover
Part #2065 and 2075



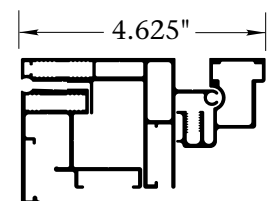
Tension Frame II
w/ Bleed Tension Frame Cover
Part #2086 and 2095



Tension Frame II
w/ 1-1/2" Tension Frame Cover
Part #2086 and 2084



Inner Frame Retainer
w/ 2Part Outer Frame Retainer
Part #2099 and 1942



Large Inner Frame Retainer
w/ 2Part Large Outer Frame Retainer
Part #2097 and 1941