

2

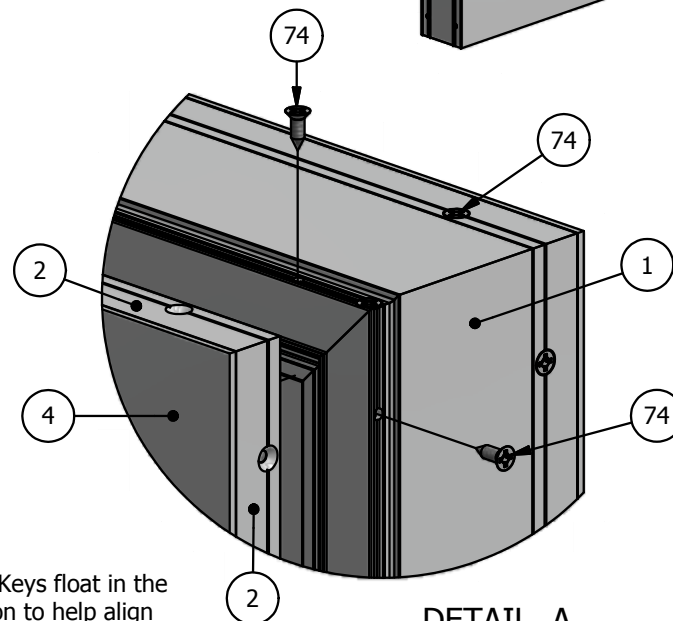
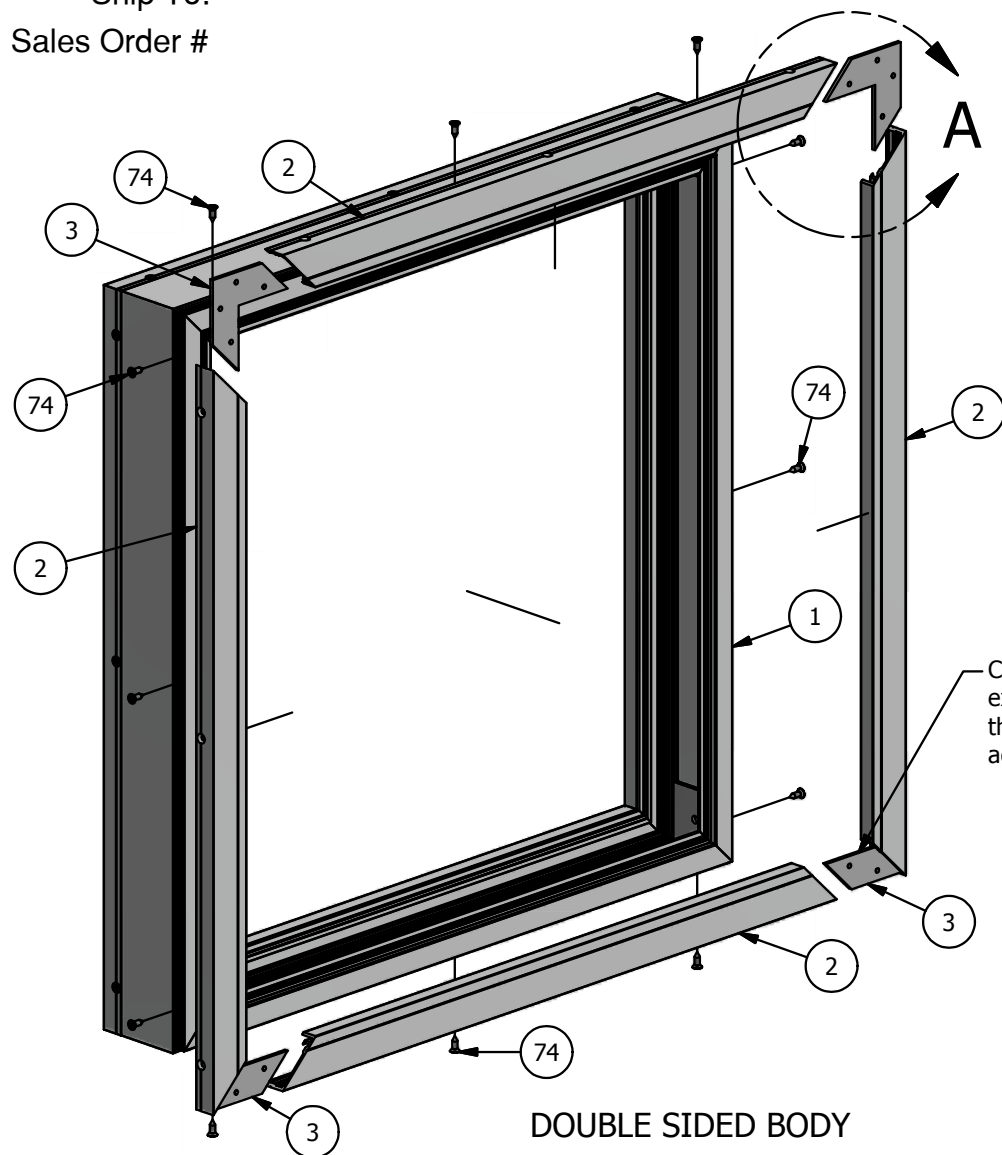


1

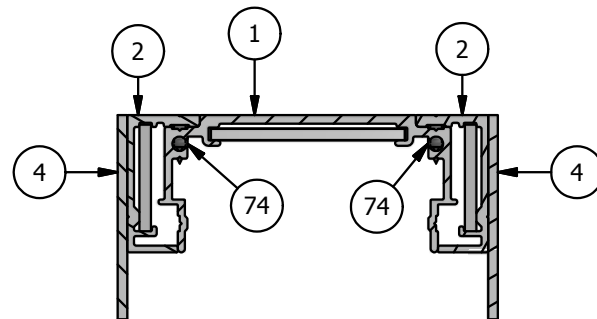
PARTS LIST

| ITEM | PART # | DESCRIPTION | NOTES |
|------|--------|-----------------------|--|
| 1 | K1390 | Series 4 Access Body | Assembly |
| 2 | 1693 | Frameless Cover | All Sides |
| 3 | 5210 | Corner Key | One (1) per cover corner |
| 4 | | Aluminum Face | Routers off flush to the cover - Provided by other |
| 74 | 5168 | Frameless Cover Screw | Drill #8 Countersink |

Ship To:
Sales Order #



Corner Keys float in the extrusion to help align the miters and provide additional strength.



THIS DRAWING WAS CREATED AT NO CHARGE TO ASSIST YOU IN VISUALIZING OUR PROPOSAL. THE DRAWING HEREIN IS THE PROPERTY OF SIGNCOMP. PERMISSION TO COPY OR REVISE THIS DRAWING OR TO USE THIS DRAWING FOR PRODUCTION IS STRICTLY PROHIBITED AND CAN ONLY BE COPIED, REVISED OR USED FOR PRODUCTION WITH THE EXPRESSED WRITTEN PERMISSION OF SIGNCOMP.

Project Name: Series 4 Access Body w/ Frameless Cover - Assembly

Sign Company: K1390/93

Revision:

Date: 3/23/2017

Sheet: 1 of 1

Size:

SBreihof

Drawing By:

SignComp

B

B

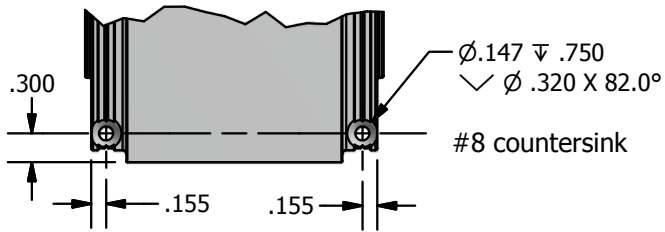
A

A

2



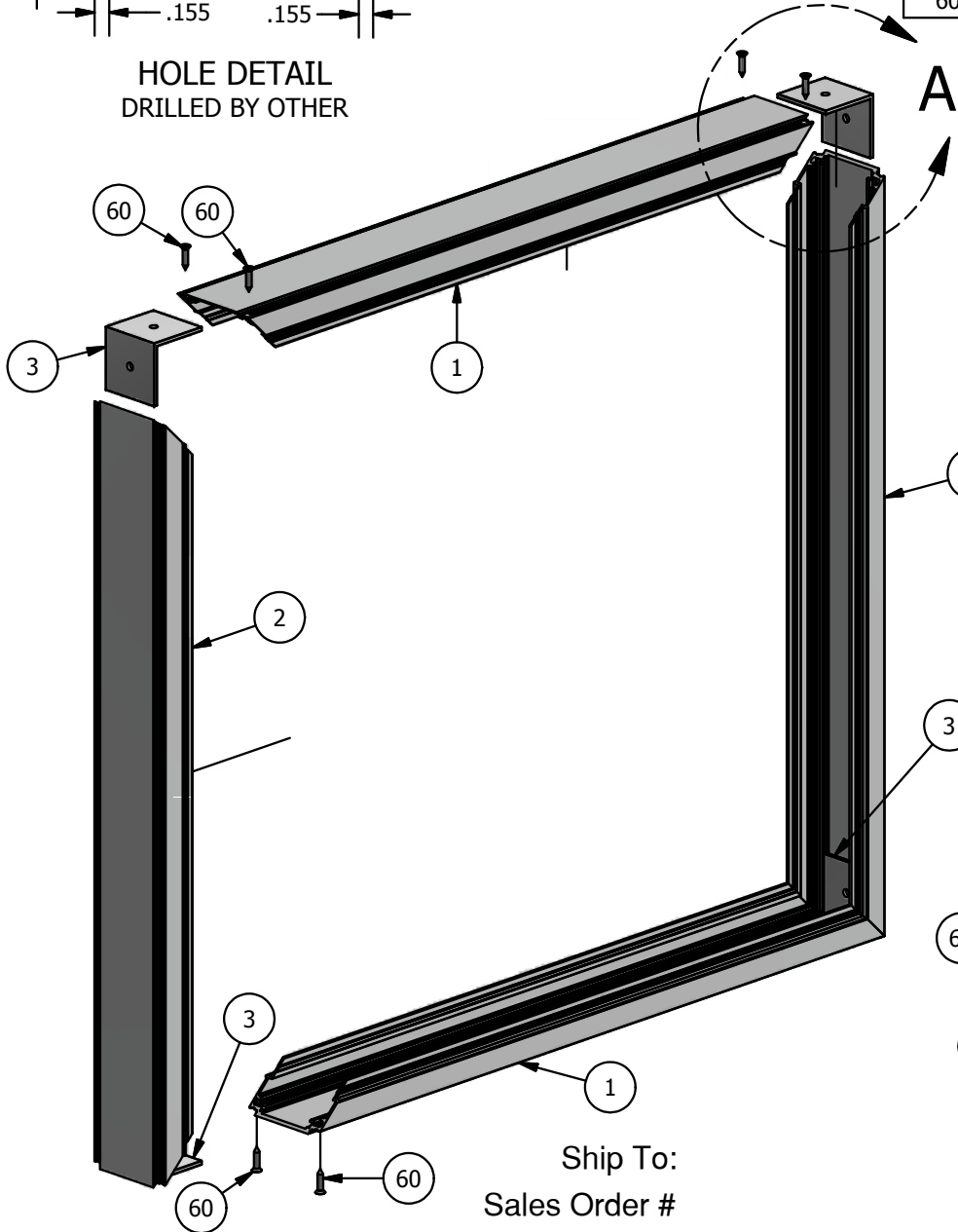
1



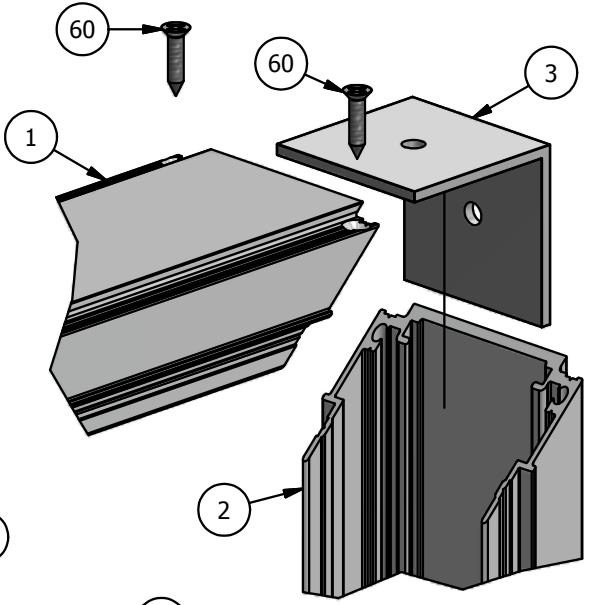
HOLE DETAIL
DRILLED BY OTHER

| PARTS LIST | | | |
|------------|-------|-----------------------------------|-------------------------|
| ITEM | PART# | DESCRIPTION | NOTES |
| 1 | 1390 | Series 4 Access Body | Top & Bottom |
| 2 | 1390 | Series 4 Access Body | Sides |
| 3 | 5340 | Series 4 Access Body Corner Angle | One (1) per body corner |
| 60 | 5241 | Access Body Corner Screw | See hole detail |

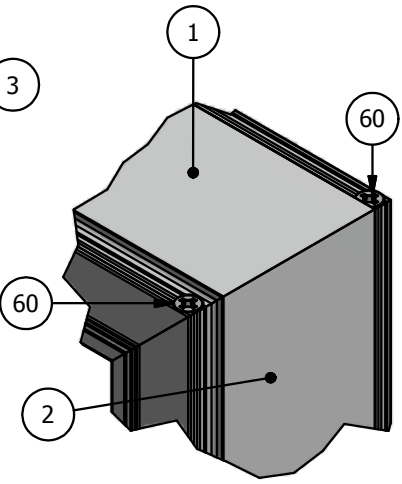
NOTE: PRE-CUT KITS ARE NOT PRE-DRILLED.
(Holes shown in this drawing are for reference only.
Drilling of pilot holes are to be done by fabricator.)



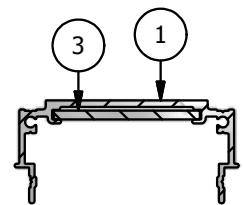
Ship To:
Sales Order #



DETAIL A-1



DETAIL A-2



CABINET SECTION-VIEW

THIS DRAWING WAS CREATED AT NO CHARGE TO ASSIST YOU IN VISUALIZING OUR PROPOSAL. THE DRAWING HEREIN IS THE PROPERTY OF SIGNCOMP. PERMISSION TO COPY OR REVISE THIS DRAWING OR TO USE THIS DRAWING FOR PRODUCTION IS STRICTLY PROHIBITED AND CAN ONLY BE COPIED, REVISED OR USED FOR PRODUCTION WITH THE EXPRESSED WRITTEN PERMISSION OF SIGNCOMP.

Project Name: **Series 4 Access Body**
 Sign Company: **K1390**
 Sheet: **1 of 1**
 Drawing By: **SBreihof**
 Date: **3/22/2017**
 Revision:

