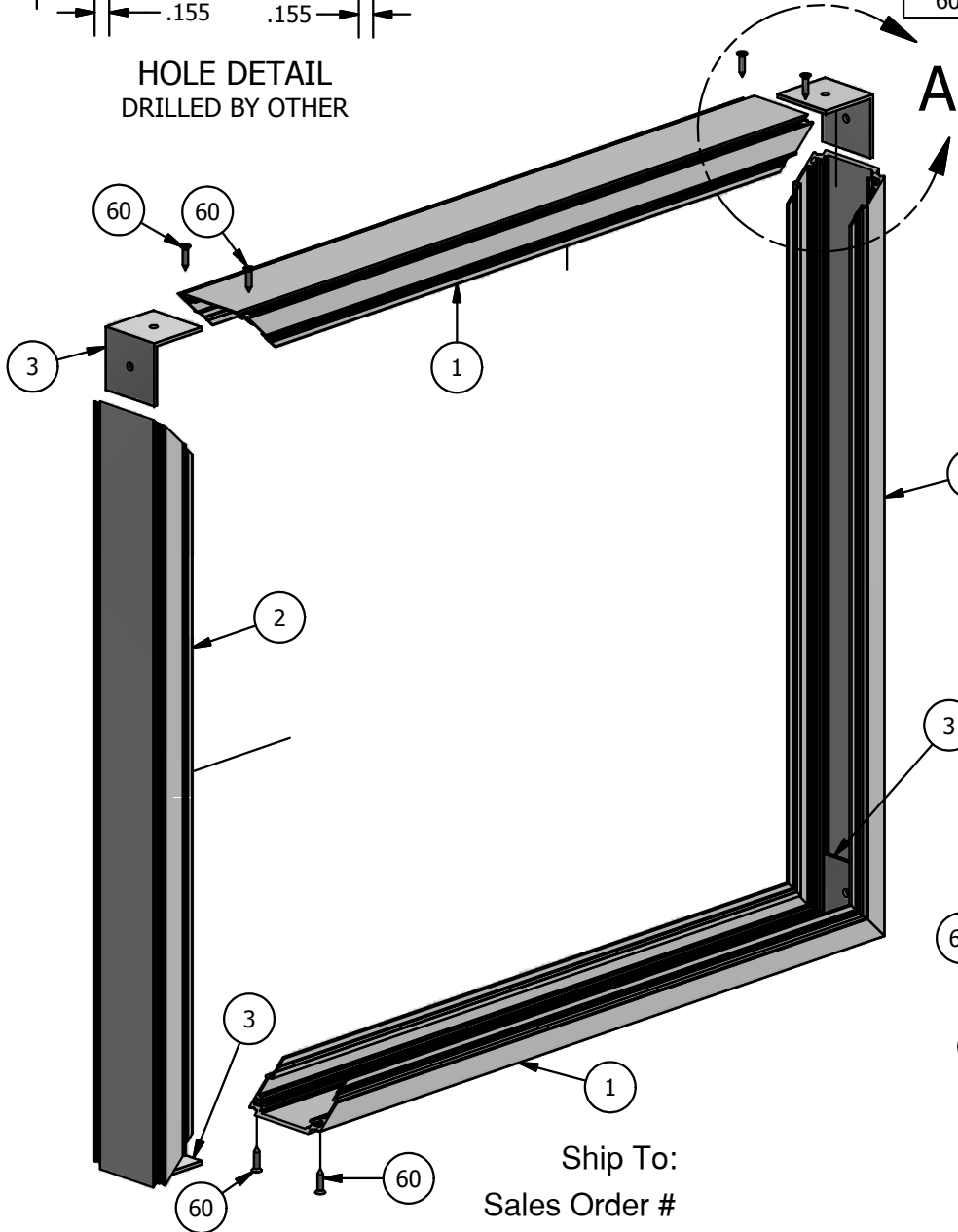


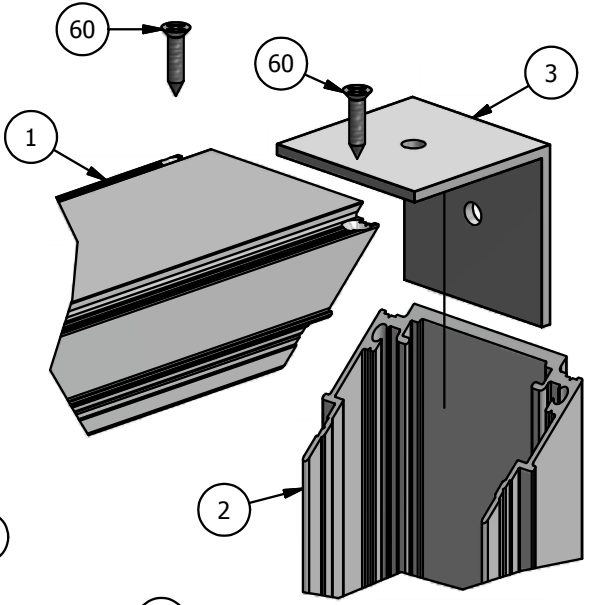
HOLE DETAIL  
 DRILLED BY OTHER

PARTS LIST			
ITEM	PART#	DESCRIPTION	NOTES
1	1390	Series 4 Access Body	Top & Bottom
2	1390	Series 4 Access Body	Sides
3	5340	Series 4 Access Body Corner Angle	One (1) per body corner
60	5241	Access Body Corner Screw	See hole detail

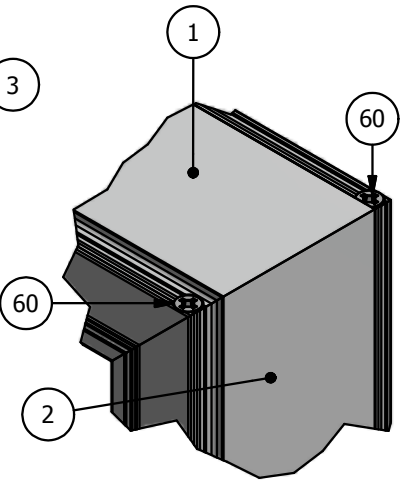
**NOTE: PRE-CUT KITS ARE NOT PRE-DRILLED.**  
 (Holes shown in this drawing are for reference only.  
 Drilling of pilot holes are to be done by fabricator.)



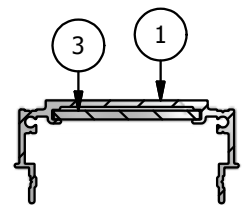
Ship To:  
 Sales Order #



DETAIL A-1



DETAIL A-2



CABINET SECTION-VIEW

THIS DRAWING WAS CREATED AT NO CHARGE TO ASSIST YOU IN VISUALIZING OUR PROPOSAL. THE DRAWING HEREIN IS THE PROPERTY OF SIGNCOMP. PERMISSION TO COPY OR REVISE THIS DRAWING OR TO USE THIS DRAWING FOR PRODUCTION IS STRICTLY PROHIBITED AND CAN ONLY BE COPIED, REVISED OR USED FOR PRODUCTION WITH THE EXPRESSED WRITTEN PERMISSION OF SIGNCOMP.

Project Name: **Series 4 Access Body**  
 Sign Company: **K1390**  
 Sheet: **1 of 1**  
 Drawing By: **SBreihof**  
 Date: **3/22/2017**  
 Revision:



PARTS LIST			
ITEM	PART #	DESCRIPTION	NOTES
1	K1390	Series 4 Access Body	Assembly
2	1692	Bleed Cover	All Sides
3	5210	Corner Key	One (1) per cover corner
64	5168	Bleed Cover Screw	Drill #8 countersink

Ship To:  
Sales Order #

Alum. face  
provided by other

CROSS-SECTION

Corner Keys float in the  
extrusion to help align  
the miters and provide  
additional strength.

Surface that  
aluminum face  
bonds to.

DOUBLE SIDED BODY

DETAIL A

THIS DRAWING WAS CREATED AT NO CHARGE TO ASSIST YOU IN VISUALIZING OUR PROPOSAL. THE DRAWING HEREIN IS THE PROPERTY OF SIGNCOMP. PERMISSION TO COPY OR REVISE THIS DRAWING OR TO USE THIS DRAWING FOR PRODUCTION IS STRICTLY PROHIBITED AND CAN ONLY BE COPIED, REVISED OR USED FOR PRODUCTION WITH THE EXPRESSED WRITTEN PERMISSION OF SIGNCOMP.

Project Name: Series 4 Access Body w/ Bleed Cover - Assembly

Sign Company: K1290/92

Part #:

Revision:

Date: 3/23/2017

Drawing By: SBreihof

Sheet: 1 of 1

Size:

**SignComp**

