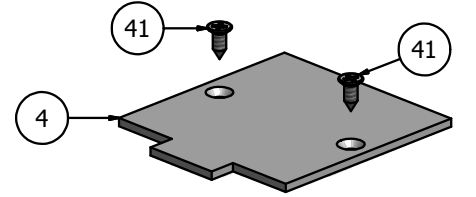
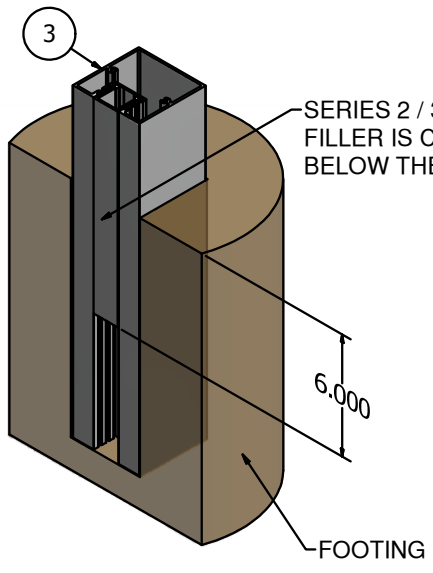
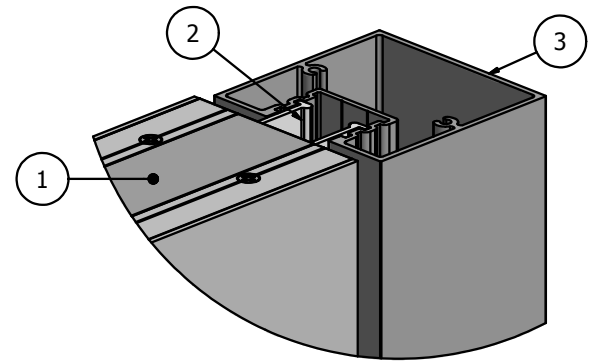
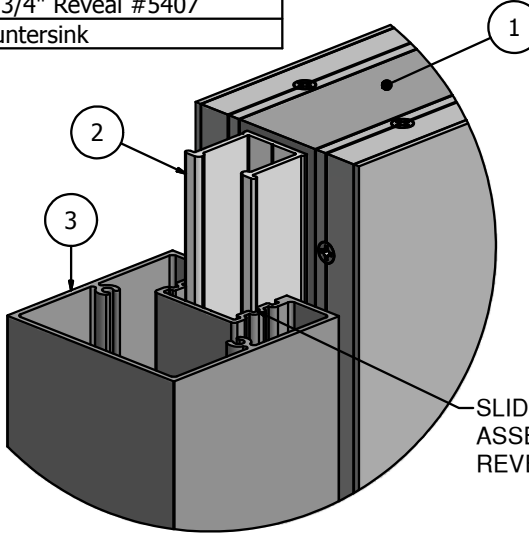
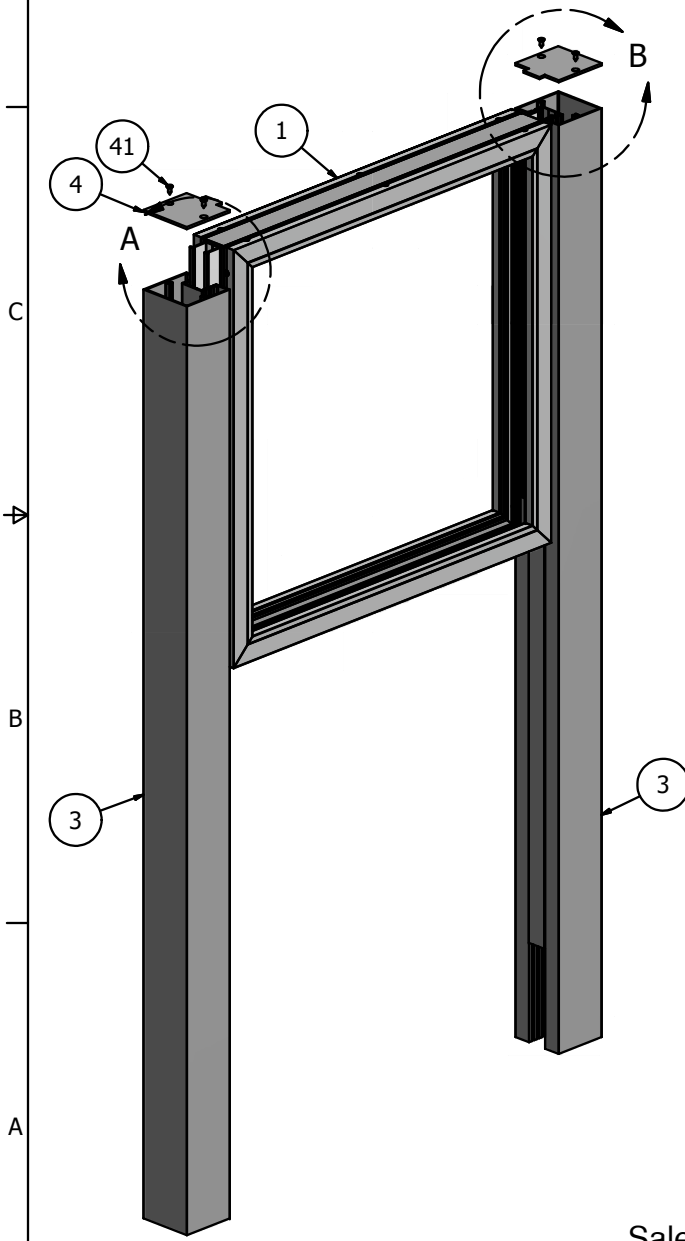
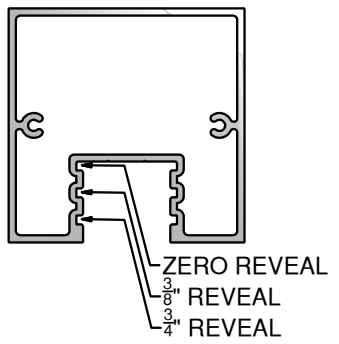


PARTS LIST			
ITEM	PART #	DESCRIPTION	NOTES
1	K1290/93	Series 3 Access Body/Frameless Cover	Assembly
2	1200	Series 2/3 Reveal	Attaches to the Body
3	K1233	Series 3 Square Post	Assembly
4	Post Cap	Series 3 Square Post Cap	Zero Reveal #5405, 3/8" Reveal #5406, 3/4" Reveal #5407
41	5040	Cap Screw	#10 countersink



REVEAL SETTING OPTIONS



NOTE: PRE-CUT KITS ARE NOT PRE-DRILLED.
 (Holes shown in this drawing are for reference only. Drilling of pilot holes are to be done by fabricator.)

THIS DRAWING WAS CREATED AT NO CHARGE TO ASSIST YOU IN VISUALIZING OUR PROPOSAL. THE DRAWING HEREIN IS THE PROPERTY OF SIGNCOMP. PERMISSION TO COPY OR REVISE THIS DRAWING OR TO USE THIS DRAWING FOR PRODUCTION IS STRICTLY PROHIBITED AND CAN ONLY BE COPIED, REVISED OR USED FOR PRODUCTION WITH THE EXPRESSED WRITTEN PERMISSION OF SIGNCOMP.

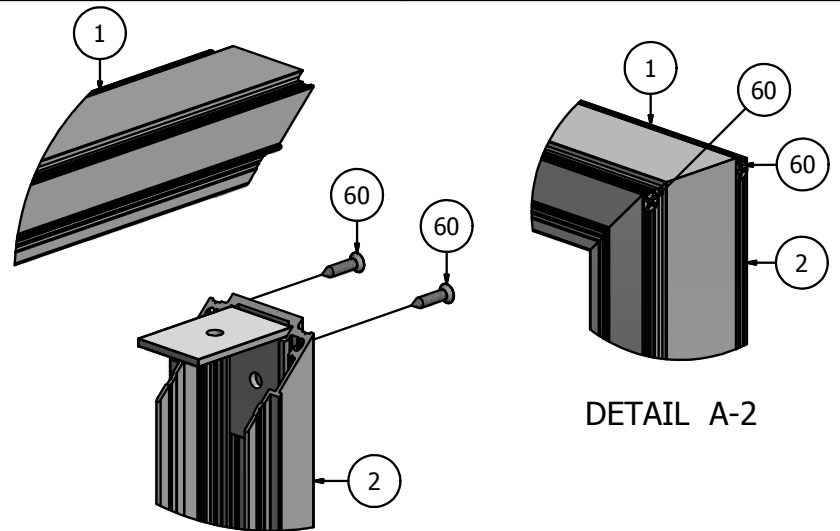
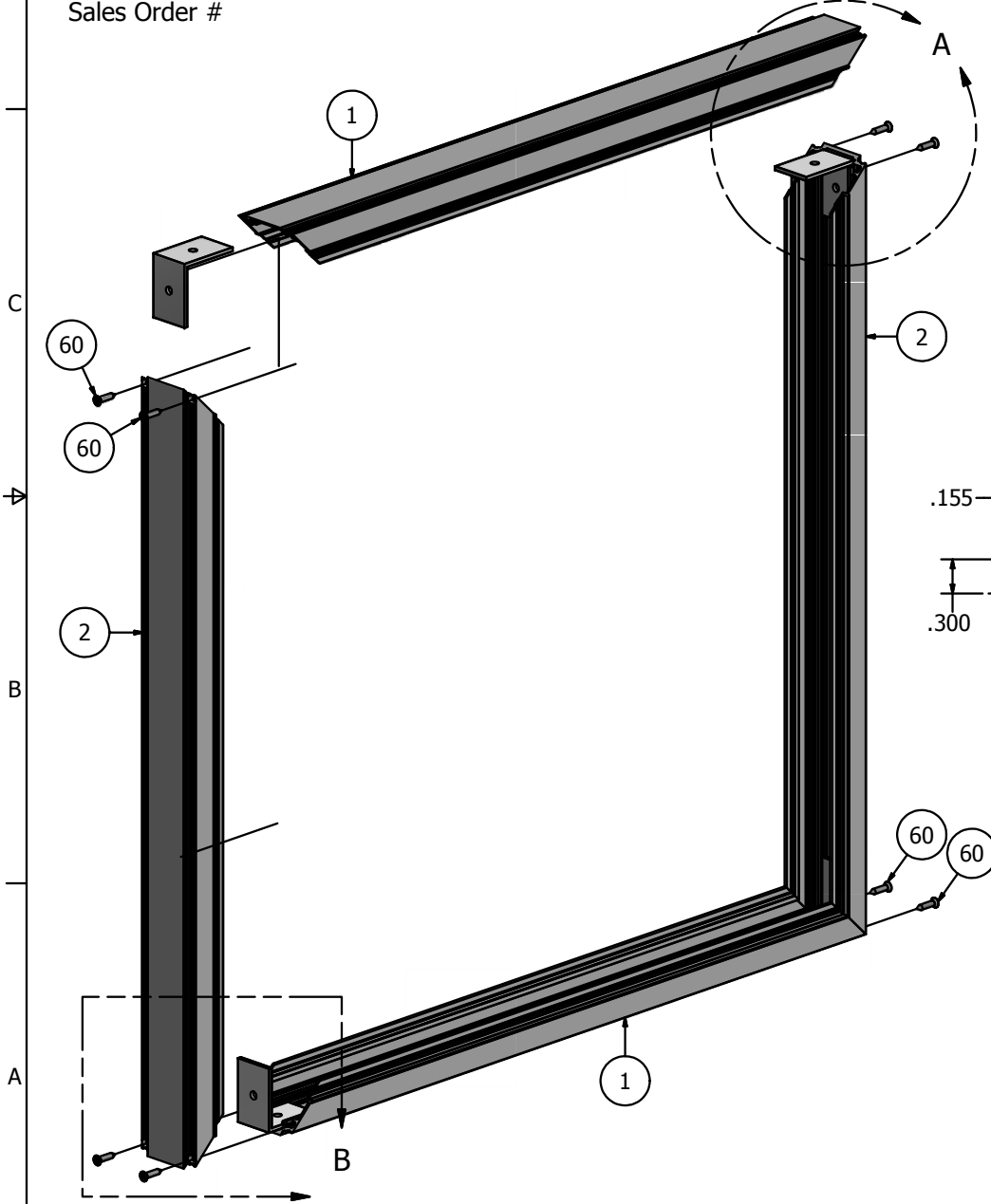
DRAWING BY:	SBreihof	4/18/2013
Centroid X:	0.000 in	
Centroid Y:	0.000 in	
Principal Moments Ix:	0.000 in^4	
Principal Moments Iy:	0.000 in^4	
Section Modulus Ix:	0.000 in^3	
Section Modulus Iy:	0.000 in^3	

SignComp	
TITLE	
Series 3 Access Body - Frameless Cover - Series 3 Square Post - Assembly	
PART NO	REV
1290-93-33	
SHEET 1 OF 1	

Ship To:
Sales Order #

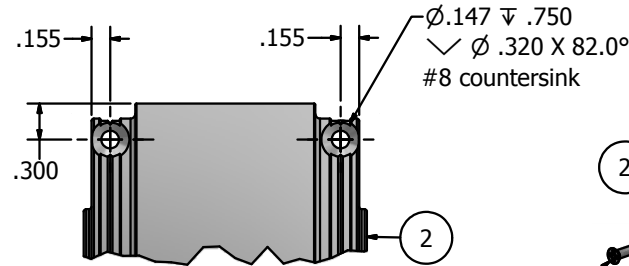
PARTS LIST			
ITEM	PART#	DESCRIPTION	NOTES
1	1290	Series 3 Access Body	Top & Bottom
2	1290	Series 3 Access Body	Sides
60	5241	Access Body Corner Screw	See Hole Detail
6	5339	Series 3 Access Body Corner Angle	One (1) per body corner

Ship To:
Sales Order #

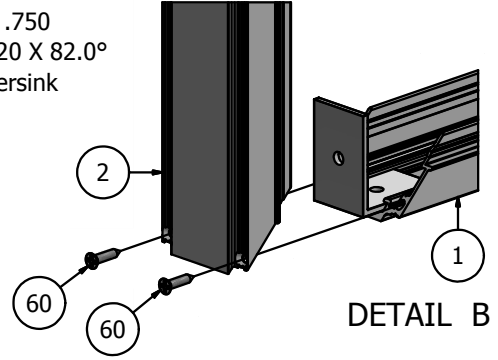


DETAIL A-1

DETAIL A-2



HOLE DETAIL
DRILLED BY OTHER



DETAIL B

NOTE: PRE-CUT KITS ARE NOT PRE-DRILLED.
(Holes shown in this drawing are for reference only.
Drilling of pilot holes are to be done by fabricator.)

THIS DRAWING WAS CREATED AT NO CHARGE TO ASSIST YOU IN VISUALIZING OUR PROPOSAL. THE DRAWING HEREIN IS THE PROPERTY OF SIGNCOMP. PERMISSION TO COPY OR REVISE THIS DRAWING OR TO USE THIS DRAWING FOR PRODUCTION IS STRICTLY PROHIBITED AND CAN ONLY BE COPIED, REVISED OR USED FOR PRODUCTION WITH THE EXPRESSED WRITTEN PERMISSION OF SIGNCOMP.		
DRAWN	SBreihof	9/7/2012
Centroid X:	0.000 in	TITLE
Centroid Y:	0.000 in	
Principal Moments Ix:	0.000 in ⁴	Series 3 - Access Body
Principal Moments Iy:	0.000 in ⁴	
Section Modulus Ix:	0.000 in ³	DWG NO
Section Modulus Iy:	0.000 in ³	K1290
		REV
		SHEET 1 OF 1

D

C

B

A

A

D

C

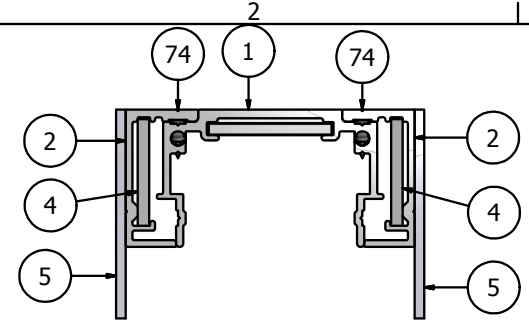
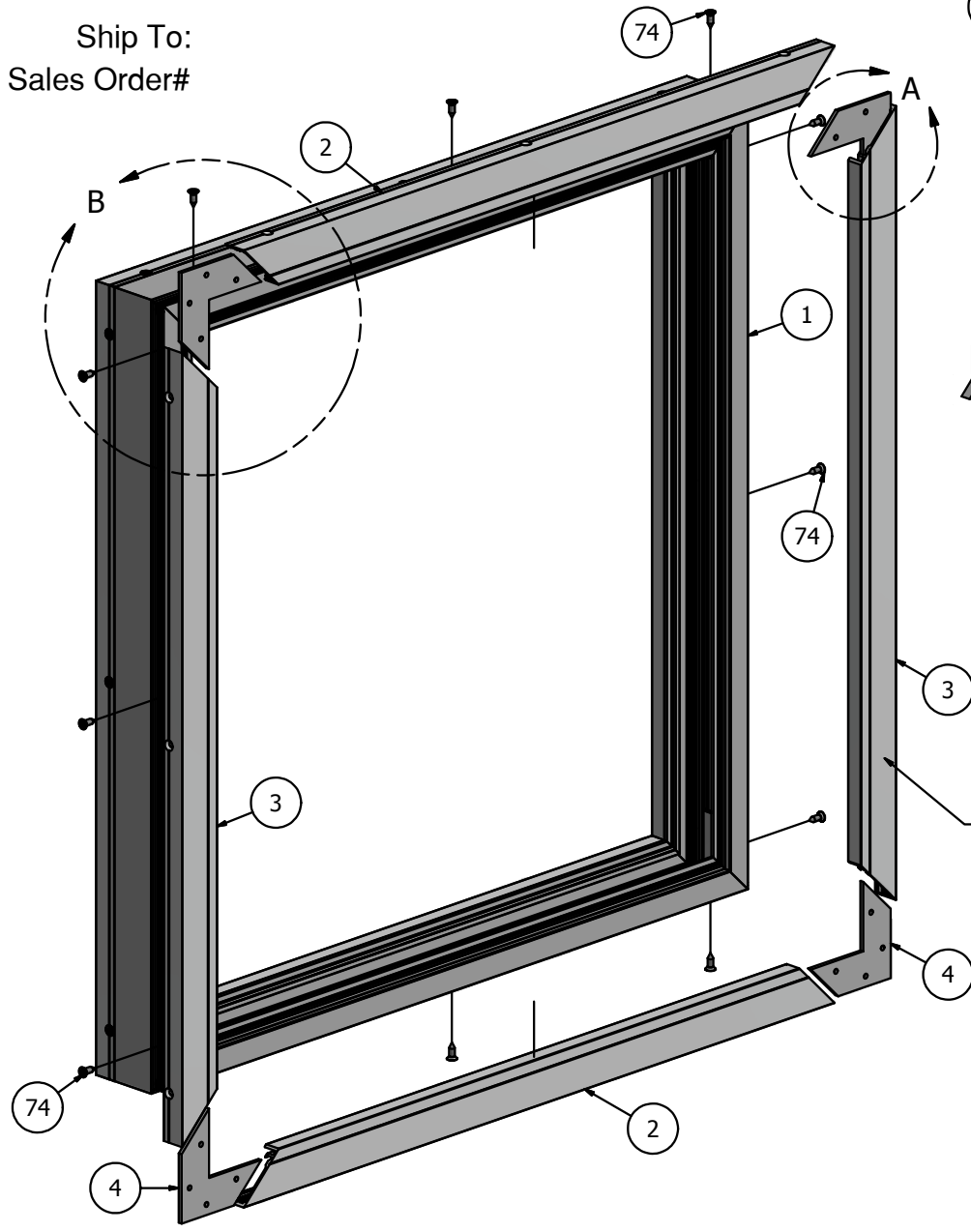
B

A

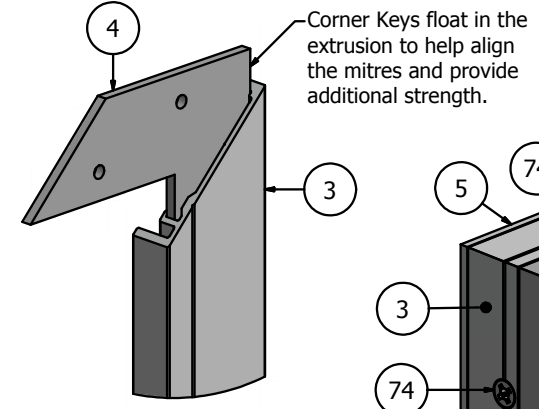
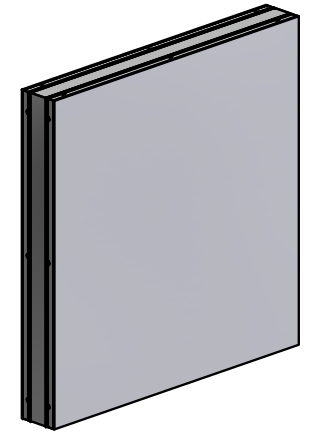
A

PARTS LIST			
ITEM	PART#	DESCRIPTION	NOTES
1	K1290	Series 3 Access Body	Assembly
2	1693	Frameless Cover	Top & Bottom
3	1693	Frameless Cover	Sides
4	5210	Corner Key	
5		Aluminum Face	Routers off Flush to the Cover - By Other
74	5168	Frameless Cover Screw	#10 countersink

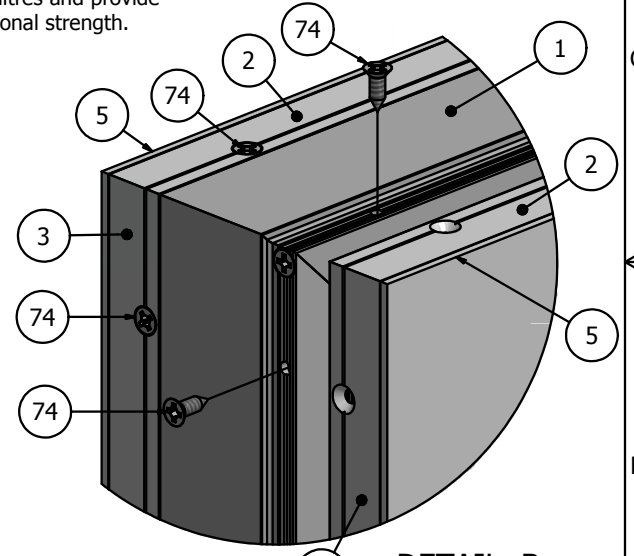
Ship To:
Sales Order#



CROSS-SECTION VIEW



DETAIL A



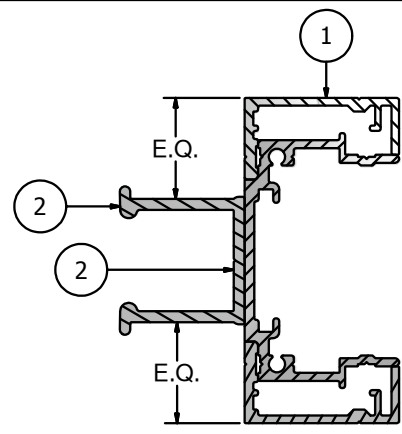
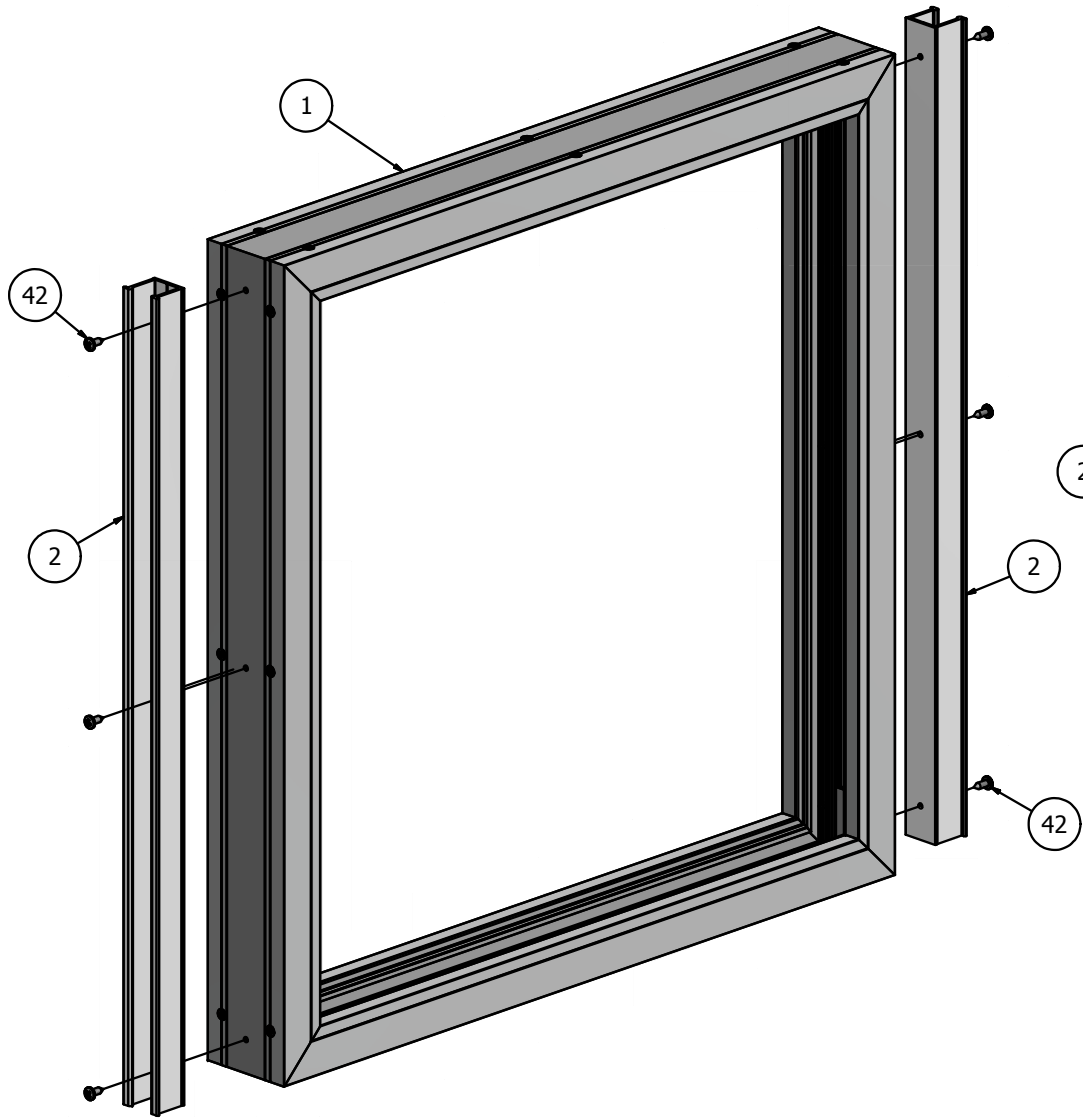
DETAIL B

NOTE: PRE-CUT KITS ARE NOT PRE-DRILLED.
(Holes shown in this drawing are for reference only.
Drilling of pilot holes are to be done by fabricator.)

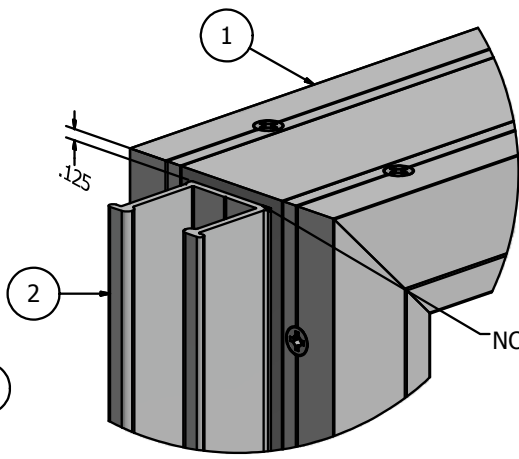
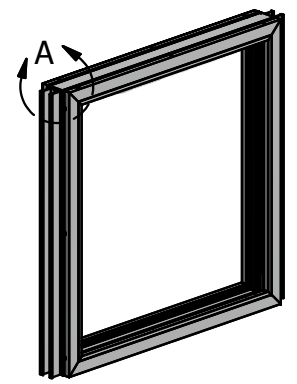
DRAWING BY: SBreihof 4/17/2013		<h1>SignComp</h1>
Centroid X: 0.000 in	TITLE	
Centroid Y: 0.000 in	Series 3 Access Body - Frameless Cover	
Principal Moments Ix: 0.000 in ⁴	PART NO	REV
Principal Moments Iy: 0.000 in ⁴	1290-93	
Section Modulus Ix: 0.000 in ³	SHEET 1 OF 1	
Section Modulus Iy: 0.000 in ³		

PARTS LIST			
ITEM	PART #	DESCRIPTION	NOTES
1	K1290/93	Series 3 Access Body/Frameless Cover	Assembly
2	1200	Series 2/3 Reveal	Attaches to the Body
42	5218	Reveal to Body Screw	Drill 5/32" pilot hole 12"oc

Ship To:
Sales Order#



VERTICAL SECTION VIEW



DETAIL A

NOTE: THE REVEAL IS PLACED $\frac{1}{8}$ " DOWN FROM THE TOP OF THE CABINET. THIS ALLOWS THE TOP OF THE CABINET TO BE FLUSH TO THE TOP OF THE POST CAP.

NOTE: PRE-CUT KITS ARE NOT PRE-DRILLED.
(Holes shown in this drawing are for reference only. Drilling of pilot holes are to be done by fabricator.)

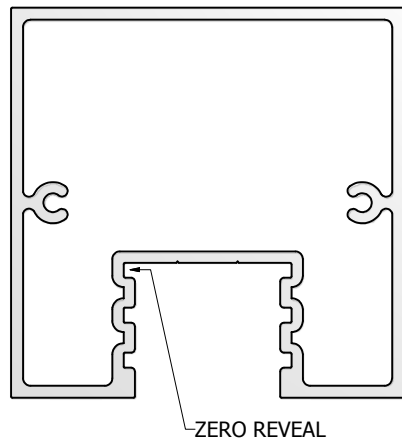
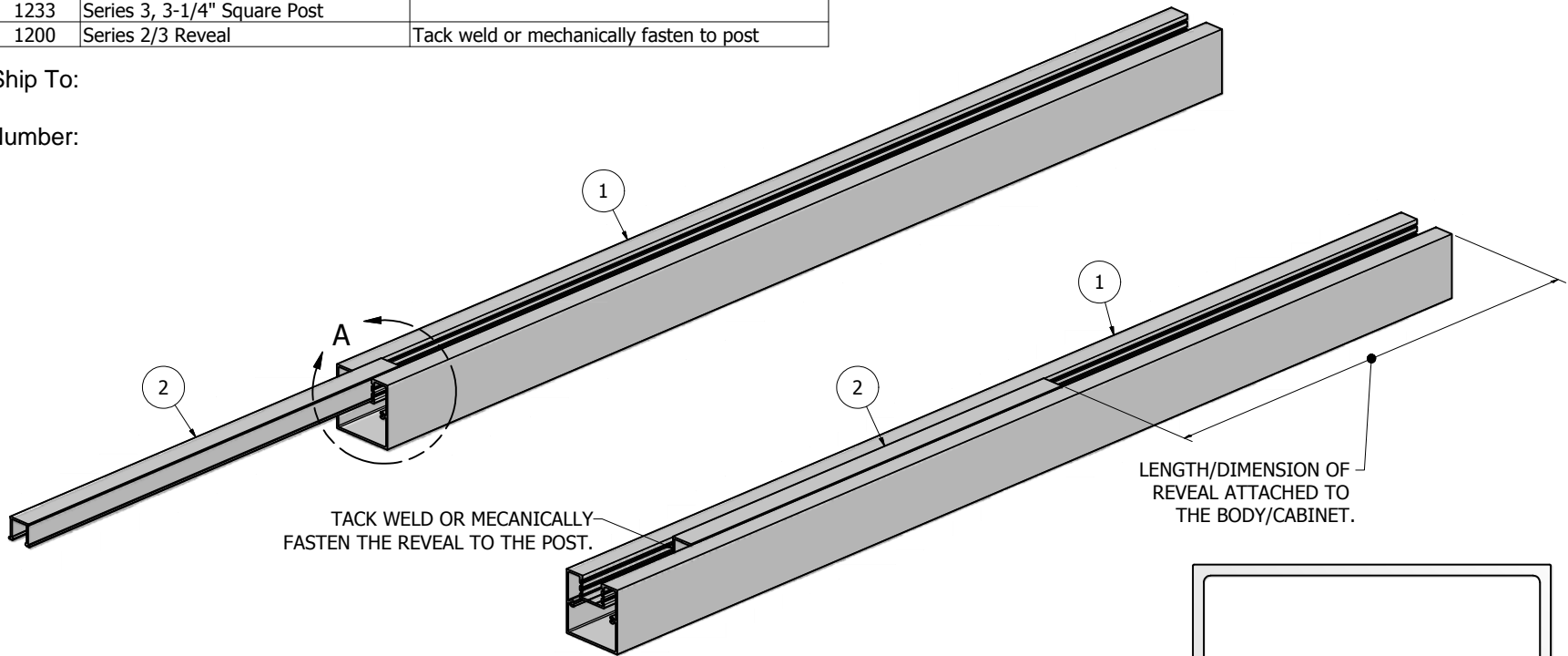
THIS DRAWING WAS CREATED AT NO CHARGE TO ASSIST YOU IN VISUALIZING OUR PROPOSAL. THE DRAWING HEREIN IS THE PROPERTY OF SIGNCOMP. PERMISSION TO COPY OR REVISE THIS DRAWING OR TO USE THIS DRAWING FOR PRODUCTION IS STRICTLY PROHIBITED AND CAN ONLY BE COPIED, REVISED OR USED FOR PRODUCTION WITH THE EXPRESSED WRITTEN PERMISSION OF SIGNCOMP.

DRAWING BY:	SBreihof	4/18/2013
Centroid X:	0.000 in	
Centroid Y:	0.000 in	
Principal Moments Ix:	0.000 in ⁴	
Principal Moments Iy:	0.000 in ⁴	
Section Modulus Ix:	0.000 in ³	
Section Modulus Iy:	0.000 in ³	

SignComp		TITLE
		Series 3 Access Body - Frameless Cover - Series 2/3 Reveal
PART NO	1290-93-00	REV
SHEET 1 OF 1		

Parts List			
ITEM	PART #	DESCRIPTION	NOTES
1	1233	Series 3, 3-1/4" Square Post	
2	1200	Series 2/3 Reveal	Tack weld or mechanically fasten to post

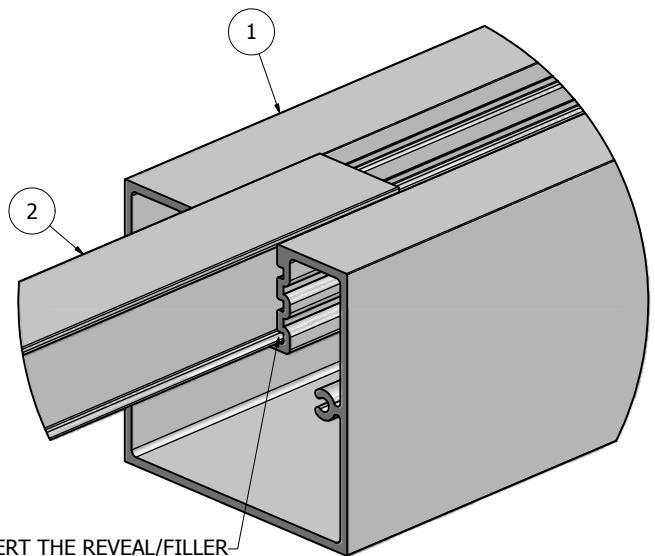
Ship To:
Order Number:



NOTE: PRE-CUT KITS ARE NOT PRE-DRILLED.
(Holes shown in this drawing are for reference only. Drilling of pilot holes are to be done by fabricator.)

THIS DRAWING WAS CREATED AT NO CHARGE TO ASSIST YOU IN VISUALIZING OUR PROPOSAL. THE DRAWING HEREIN IS THE PROPERTY OF SIGNCOMP. PERMISSION TO COPY OR REVISE THIS DRAWING OR TO USE THIS DRAWING FOR PRODUCTION IS STRICTLY PROHIBITED AND CAN ONLY BE COPIED, REVISED OR USED FOR PRODUCTION WITH THE EXPRESSED WRITTEN PERMISSION OF SIGNCOMP.

DRAWN	Steve	4/5/2010	SignComp		
CHECKED					
QA			TITLE		
MFG			Series 3, 3-1/4" Square Post - Series 2/3 Reveal - Assembly		
APPROVED			SIZE	DWG NO	REV
			C	1233-00	
			SCALE	SHEET 1 OF 1	



INSERT THE REVEAL/FILLER INTO THE ZERO REVEAL POSTION. SLIDED IT UP INTO THE POST.

DETAIL A