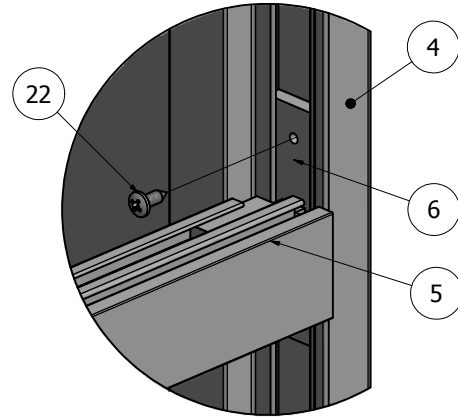
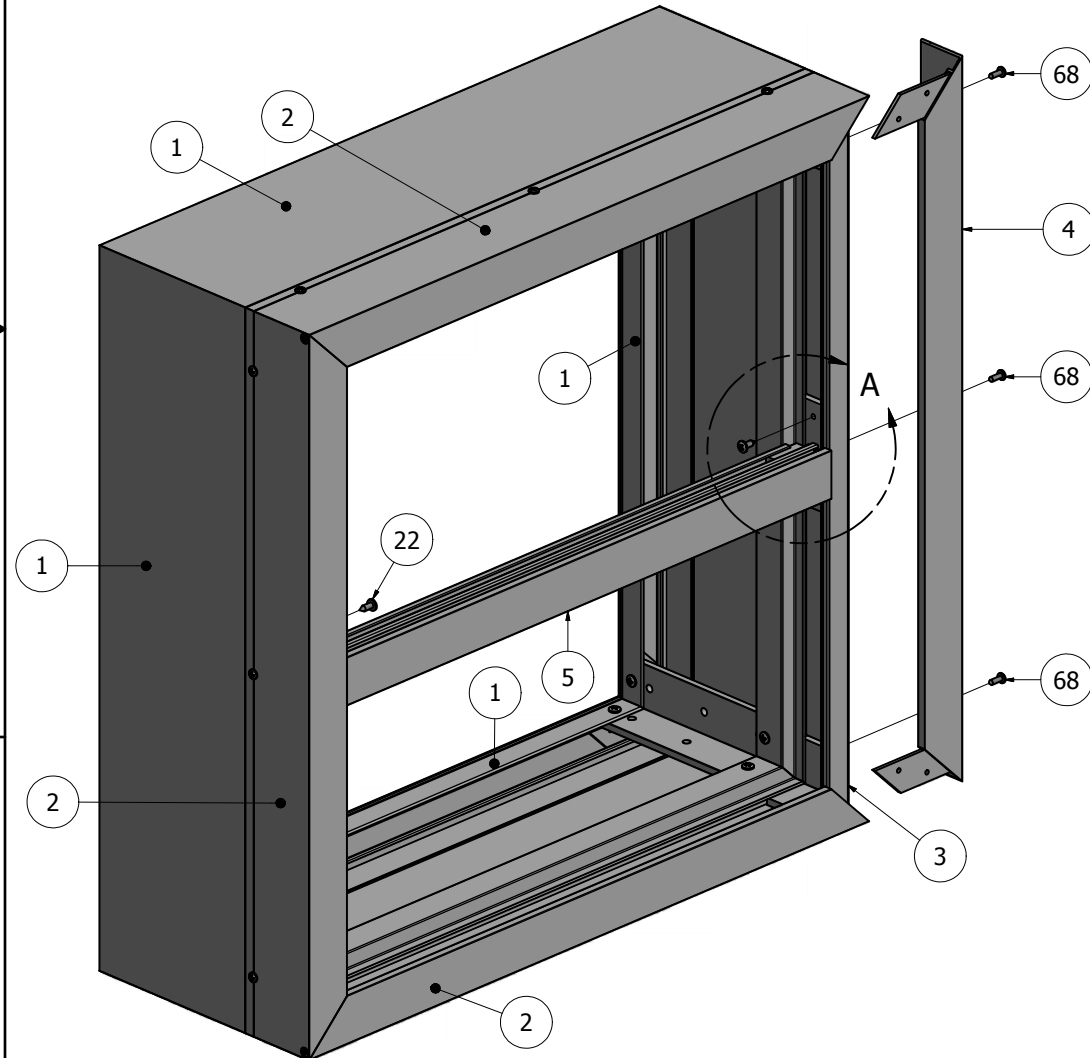
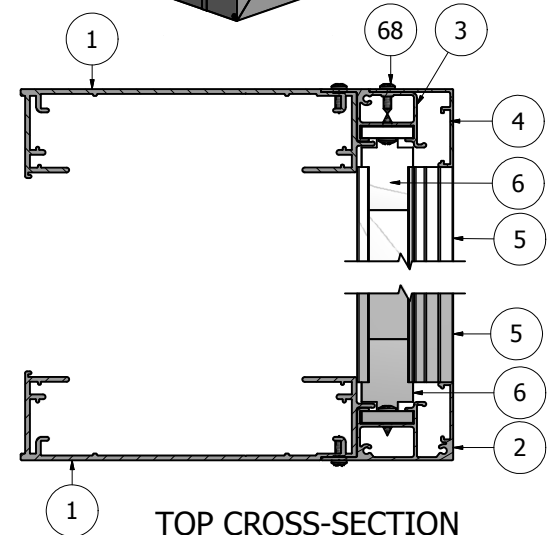
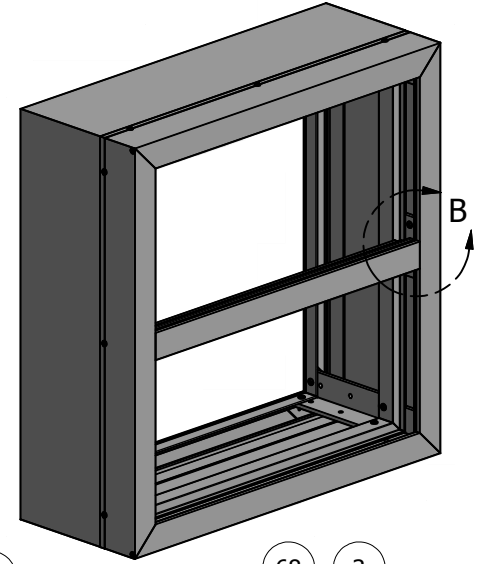


PARTS LIST			
ITEM	PART#	DESCRIPTION	NOTES
1		2Part Body	
2	1940	2Part Extended Retainer	
3	1955	2Part Extended Frame	
4	1944	2Part Retainer	
5	1905	2Part Divider	
6	5300	Divider Angle	
22	5218	Divider Angle Screw	Drill 5/32" pilot hole
68	5290	2Part Ext. Retainer Cover Screw	Drill 1/8" pilot hole, 10-12" on center

Ship To:
Sales Order#:



DETAIL A



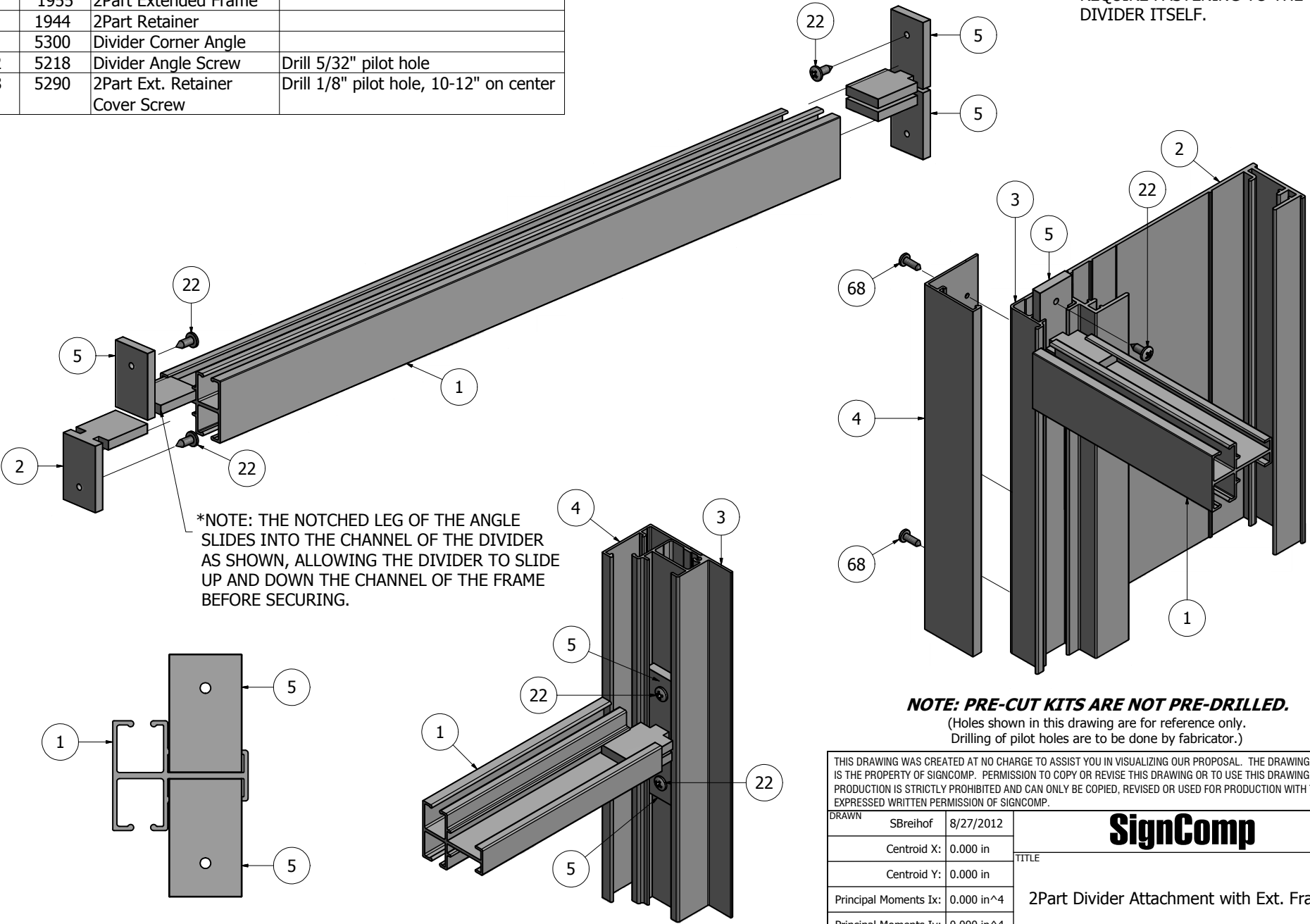
TOP CROSS-SECTION

NOTE: PRE-CUT KITS ARE NOT PRE-DRILLED.
(Holes shown in this drawing are for reference only.
Drilling of pilot holes are to be done by fabricator.)

THIS DRAWING WAS CREATED AT NO CHARGE TO ASSIST YOU IN VISUALIZING OUR PROPOSAL. THE DRAWING HEREIN IS THE PROPERTY OF SIGNCOMP. PERMISSION TO COPY OR REVISE THIS DRAWING OR TO USE THIS DRAWING FOR PRODUCTION IS STRICTLY PROHIBITED AND CAN ONLY BE COPIED, REVISED OR USED FOR PRODUCTION WITH THE EXPRESSED WRITTEN PERMISSION OF SIGNCOMP.			SignComp	
DRAWN	SBreihof	8/27/2012		
Centroid X:	0.000 in		DWG NO	K1940/1905
Centroid Y:	0.000 in		REV	
Principal Moments Ix:	0.000 in ⁴		SHEET 1 OF 2	
Principal Moments Iy:	0.000 in ⁴			
Section Modulus Ix:	0.000 in ³			
Section Modulus Iy:	0.000 in ³			

PARTS LIST			
ITEM	PART#	DESCRIPTION	NOTES
1	1905	2Part Divider	
2		2Part Body	
3	1955	2Part Extended Frame	
4	1944	2Part Retainer	
5	5300	Divider Corner Angle	
22	5218	Divider Angle Screw	Drill 5/32" pilot hole
68	5290	2Part Ext. Retainer Cover Screw	Drill 1/8" pilot hole, 10-12" on center

DIVIDER ANGLE DOES NOT REQUIRE FASTENING TO THE DIVIDER ITSELF.



*NOTE: THE NOTCHED LEG OF THE ANGLE SLIDES INTO THE CHANNEL OF THE DIVIDER AS SHOWN, ALLOWING THE DIVIDER TO SLIDE UP AND DOWN THE CHANNEL OF THE FRAME BEFORE SECURING.

NOTE: PRE-CUT KITS ARE NOT PRE-DRILLED.
(Holes shown in this drawing are for reference only. Drilling of pilot holes are to be done by fabricator.)

THIS DRAWING WAS CREATED AT NO CHARGE TO ASSIST YOU IN VISUALIZING OUR PROPOSAL. THE DRAWING HEREIN IS THE PROPERTY OF SIGNCOMP. PERMISSION TO COPY OR REVISE THIS DRAWING OR TO USE THIS DRAWING FOR PRODUCTION IS STRICTLY PROHIBITED AND CAN ONLY BE COPIED, REVISED OR USED FOR PRODUCTION WITH THE EXPRESSED WRITTEN PERMISSION OF SIGNCOMP.

DRAWN	SBreihof	8/27/2012	SignComp
Centroid X:	0.000 in		
Centroid Y:	0.000 in		TITLE
Principal Moments Ix:	0.000 in^4		2Part Divider Attachment with Ext. Frame
Principal Moments Iy:	0.000 in^4		DWG NO
Section Modulus Ix:	0.000 in^3		K1940/1905
Section Modulus Iy:	0.000 in^3		REV