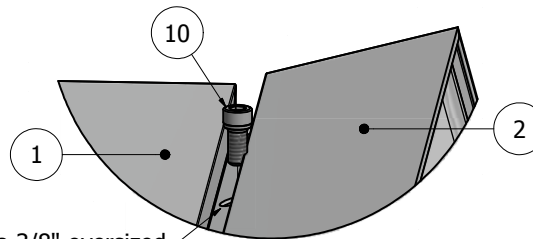


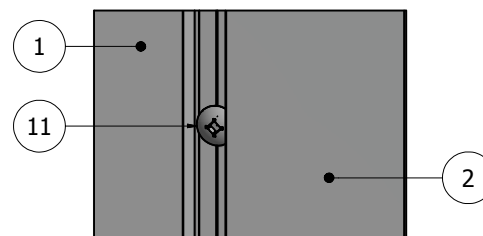
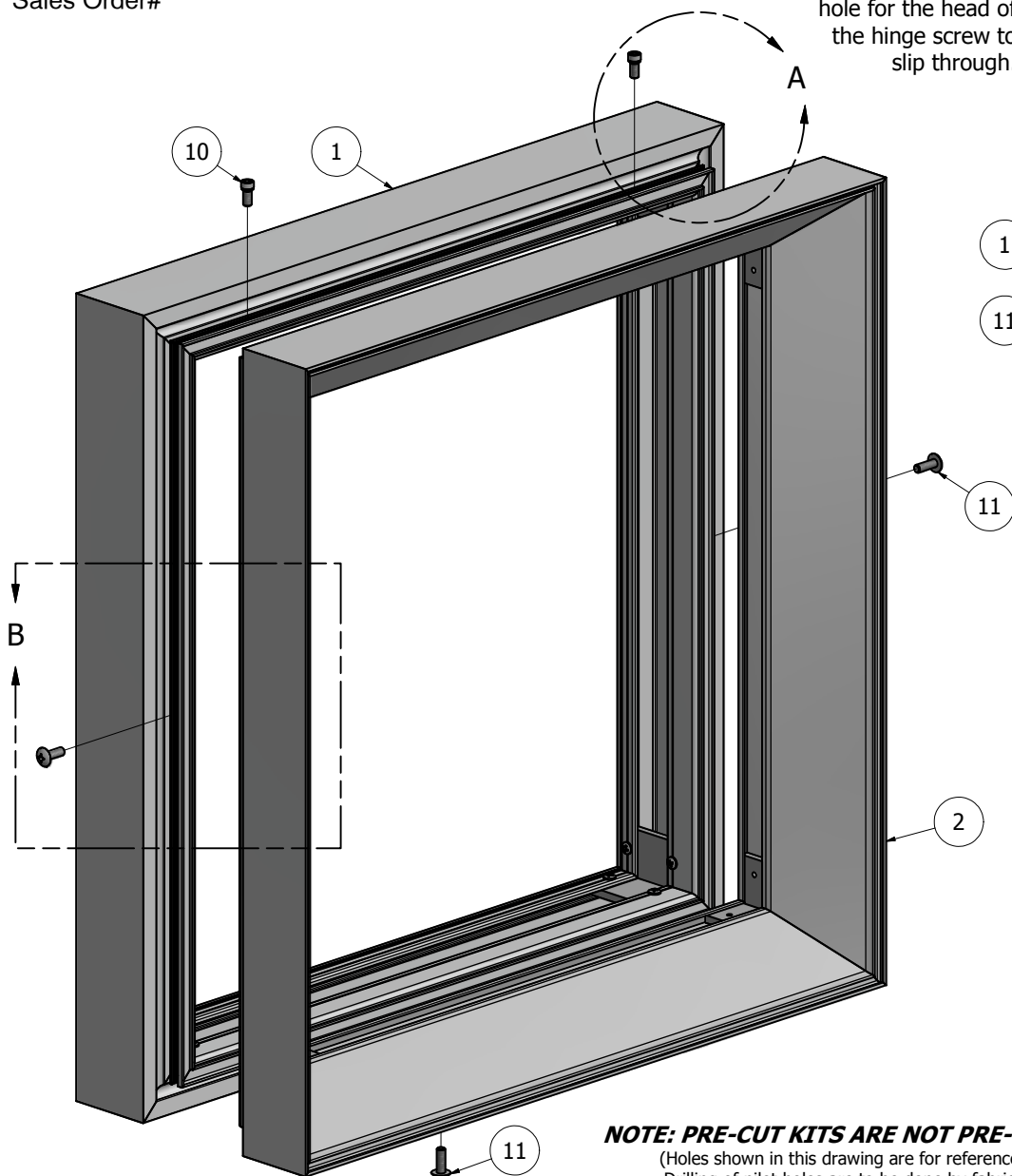
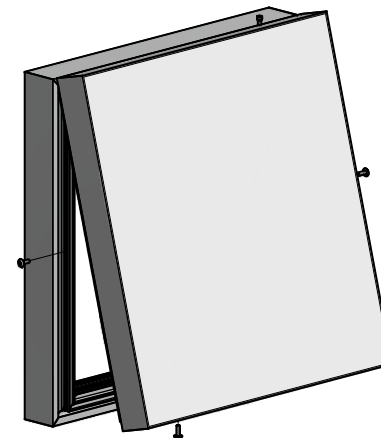
PARTS LIST			
ITEM	PART #	DESCRIPTION	NOTES
1	K2021	Narrow Single Face Body	Assembly
2	K2086/95	Tension Frame II and Bleed Cover	Assembly
10	5170	Hinge Screw	Drill a 3/8" pilot hole
11	5180	Closure Screw	Drill a 5/16" pilot hole

Ship To:
Sales Order#

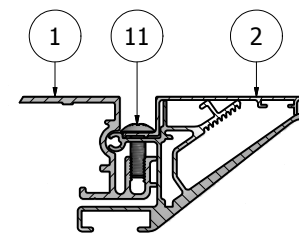
***NOTE:** Drill a 3/8" oversized hole for the head of the hinge screw to slip through.



DETAIL A
FRAME HINGED

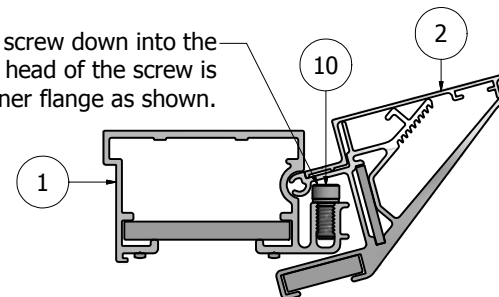


DETAIL B
FRAME CLOSED



SIDE CROSS-SECTION
FRAME CLOSED

Drive the hinge screw down into the body so the head of the screw is under the retainer flange as shown.



TOP CROSS-SECTION VIEW

THIS DRAWING WAS CREATED AT NO CHARGE TO ASSIST YOU IN VISUALIZING OUR PROPOSAL. THE DRAWING HEREIN IS THE PROPERTY OF SIGNCOMP. PERMISSION TO COPY OR REVISE THIS DRAWING OR TO USE THIS DRAWING FOR PRODUCTION IS STRICTLY PROHIBITED AND CAN ONLY BE COPIED, REVISED OR USED FOR PRODUCTION WITH THE EXPRESSED WRITTEN PERMISSION OF SIGNCOMP.

DRAWING BY:	SBreihof	6/26/2014
Centroid X:	0.000 in	
Centroid Y:	0.000 in	
Principal Moments Ix:	0.000 in^4	
Principal Moments Iy:	0.000 in^4	
Section Modulus Ix:	0.000 in^3	
Section Modulus Iy:	0.000 in^3	

SignComp

Narrow Single Face Body w/
Tension Frame II and Bleed Cover -
Assembly

PART NO	K2021-86-95	REV
---------	--------------------	-----

Parts List			
ITEM	PART#	DESCRIPTION	NOTES
1	2021	Narrow Single Face Body	Top & Bottom
2	2021	Narrow Single Face Body	Sides
3	5321	Narrow Body Corner Angle	
13	5218	Corner Angle Screw	Drill 5/32" pilot hole

Ship To:

Order Number:

D

D

C

C

B

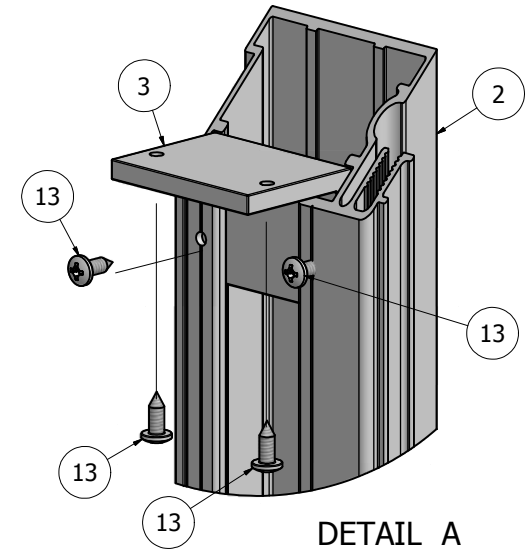
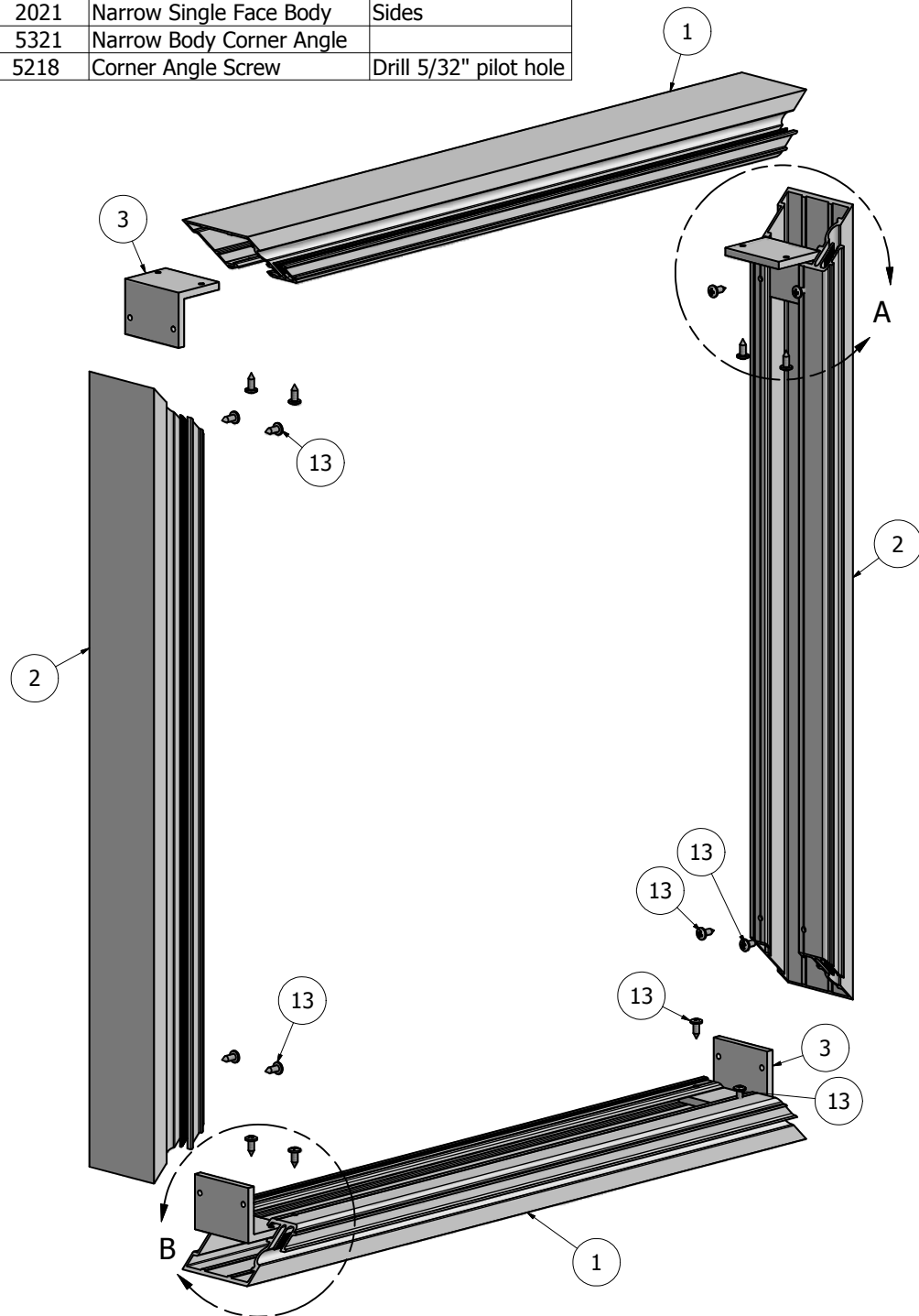
B

B

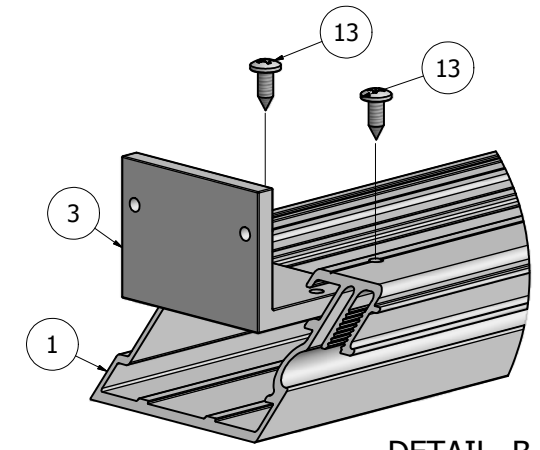
B

A

A



DETAIL A



DETAIL B

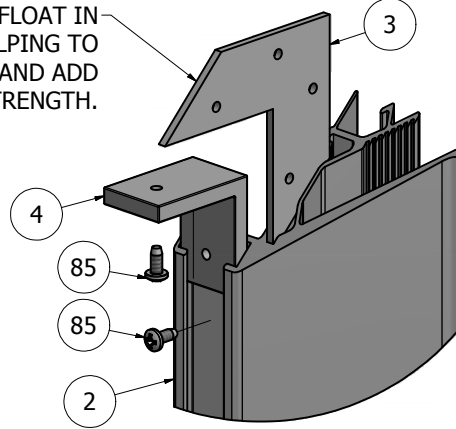
NOTE: PRE-CUT KITS ARE NOT PRE-DRILLED.
 (Holes shown in this drawing are for reference only.
 Drilling of pilot holes are to be done by fabricator.)

THIS DRAWING WAS CREATED AT NO CHARGE TO ASSIST YOU IN VISUALIZING OUR PROPOSAL. THE DRAWING HEREIN IS THE PROPERTY OF SIGNCOMP. PERMISSION TO COPY OR REVISE THIS DRAWING OR TO USE THIS DRAWING FOR PRODUCTION IS STRICTLY PROHIBITED AND CAN ONLY BE COPIED, REVISED OR USED FOR PRODUCTION WITH THE EXPRESSED WRITTEN PERMISSION OF SIGNCOMP.			<h1>SignComp</h1>		
DRAWN	Sarah	4/30/2012			TITLE
	Centroid X:	0.000 in			
	Centroid Y:	0.000 in			
	Principal Moments Ix:	0.000 in ⁴			
	Principal Moments Iy:	0.000 in ⁴			
	Section Modulus Ix:	0.000 in ³	DWG NO	K2021	
	Section Modulus Iy:	0.000 in ³		REV	
				SHEET 1 OF 1	

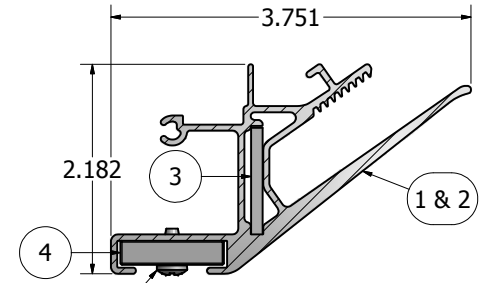
PARTS LIST			
ITEM	PART#	DESCRIPTION	NOTES
1	2086	Tension Frame II	Top & Bottom
2	2086	Tension Frame II	Sides
3	5210	Corner Key	
4	5305	Frame Corner Angle	
85	5199	Corner Angle Screw	Pre-drill 5/16" hole

Ship To:
Sales Order #

THE CORNER KEYS FLOAT IN THE EXTRUSION HELPING TO ALIGN THE MITERS AND ADD STRENGTH.

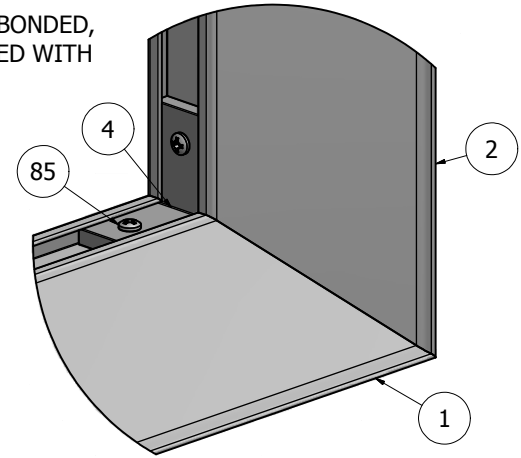


DETAIL A



CROSS-SECTION VIEW

NOTE: THIS FRAME MAY BE BONDED, WELDED OR ASSEMBLED WITH FASTENERS.



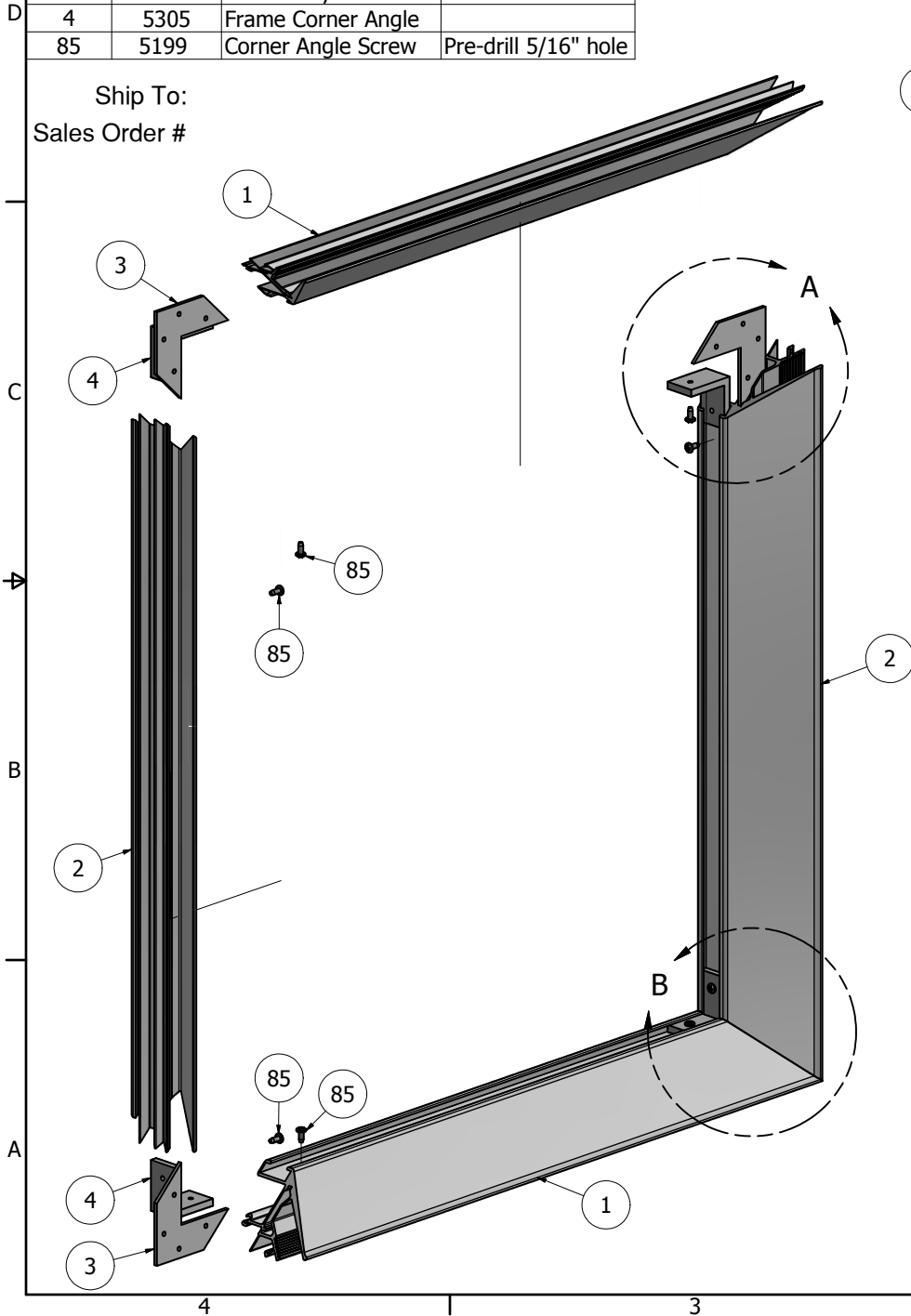
DETAIL B

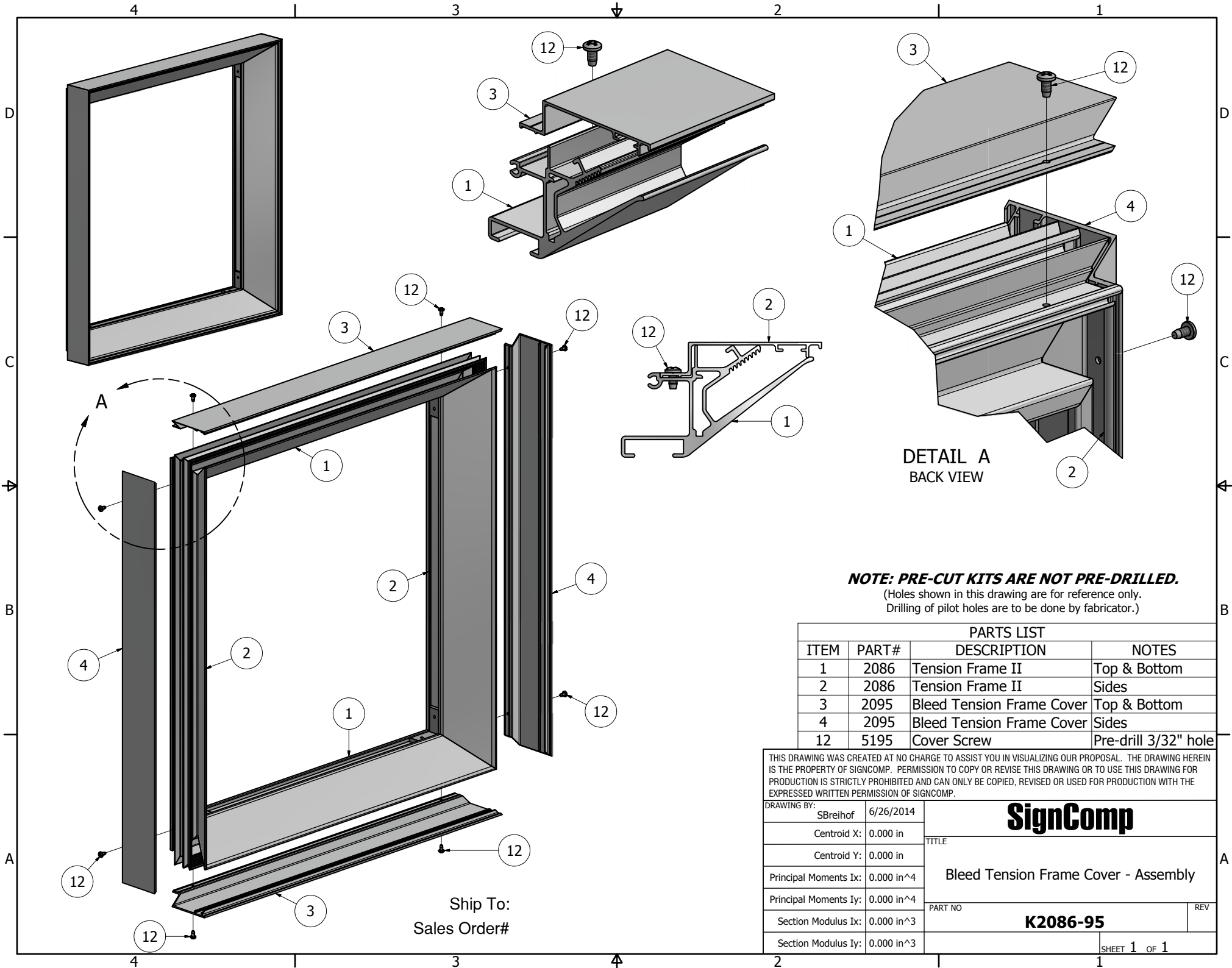
NOTE: PRE-CUT KITS ARE NOT PRE-DRILLED.
(Holes shown in this drawing are for reference only.
Drilling of pilot holes are to be done by fabricator.)

THIS DRAWING WAS CREATED AT NO CHARGE TO ASSIST YOU IN VISUALIZING OUR PROPOSAL. THE DRAWING HEREIN IS THE PROPERTY OF SIGNCOMP. PERMISSION TO COPY OR REVISE THIS DRAWING OR TO USE THIS DRAWING FOR PRODUCTION IS STRICTLY PROHIBITED AND CAN ONLY BE COPIED, REVISED OR USED FOR PRODUCTION WITH THE EXPRESSED WRITTEN PERMISSION OF SIGNCOMP.

DRAWING BY:	SBreihof	4/24/2014
Centroid X:	0.000 in	
Centroid Y:	0.000 in	
Principal Moments Ix:	0.000 in ⁴	
Principal Moments Iy:	0.000 in ⁴	
Section Modulus Ix:	0.000 in ³	
Section Modulus Iy:	0.000 in ³	

SignComp		TITLE
		Tension Frame II - Assembly
PART NO	K2086	REV
		SHEET 1 OF 1





**DETAIL A
BACK VIEW**

NOTE: PRE-CUT KITS ARE NOT PRE-DRILLED.
 (Holes shown in this drawing are for reference only.
 Drilling of pilot holes are to be done by fabricator.)

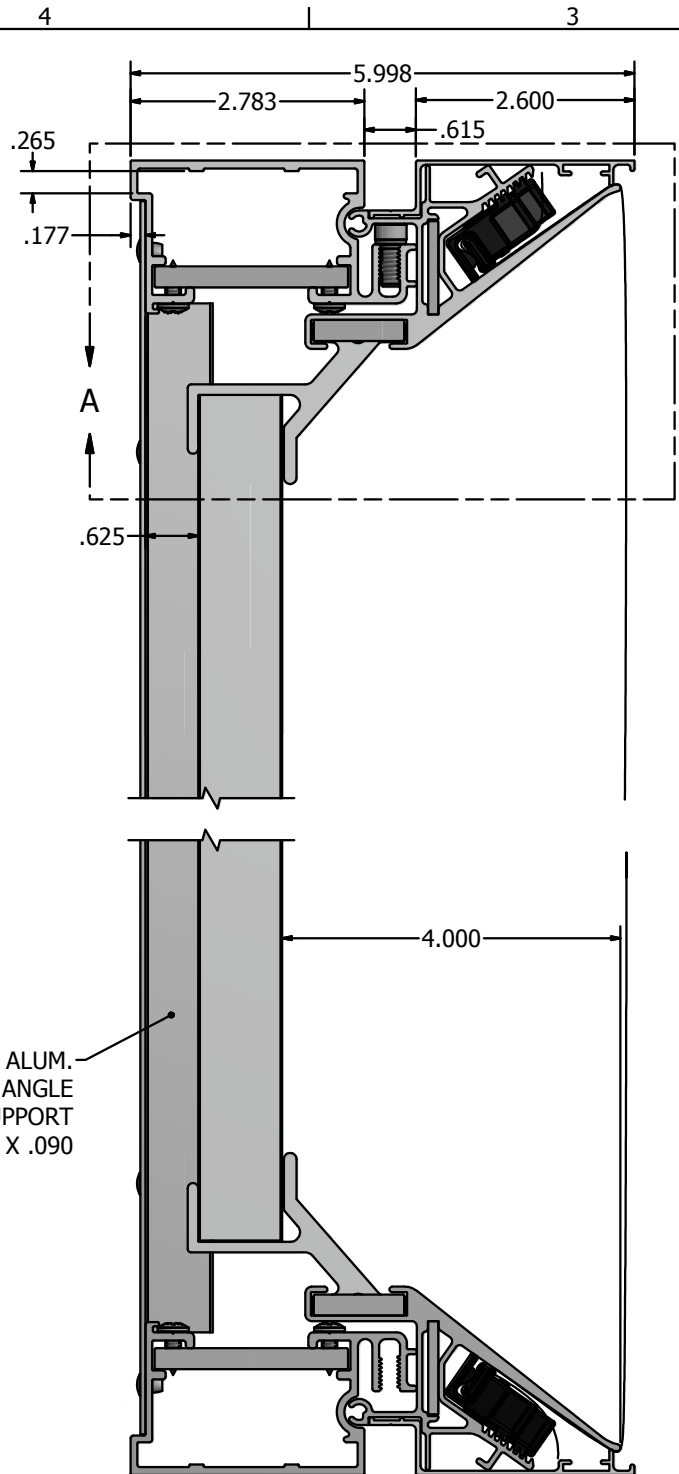
PARTS LIST			
ITEM	PART#	DESCRIPTION	NOTES
1	2086	Tension Frame II	Top & Bottom
2	2086	Tension Frame II	Sides
3	2095	Bleed Tension Frame Cover	Top & Bottom
4	2095	Bleed Tension Frame Cover	Sides
12	5195	Cover Screw	Pre-drill 3/32" hole

THIS DRAWING WAS CREATED AT NO CHARGE TO ASSIST YOU IN VISUALIZING OUR PROPOSAL. THE DRAWING HEREIN IS THE PROPERTY OF SIGNCOMP. PERMISSION TO COPY OR REVISE THIS DRAWING OR TO USE THIS DRAWING FOR PRODUCTION IS STRICTLY PROHIBITED AND CAN ONLY BE COPIED, REVISED OR USED FOR PRODUCTION WITH THE EXPRESSED WRITTEN PERMISSION OF SIGNCOMP.

DRAWING BY:	SBreihof	6/26/2014
Centroid X:	0.000 in	
Centroid Y:	0.000 in	
Principal Moments Ix:	0.000 in ⁴	
Principal Moments Iy:	0.000 in ⁴	
Section Modulus Ix:	0.000 in ³	
Section Modulus Iy:	0.000 in ³	

SignComp	
TITLE	
Bleed Tension Frame Cover - Assembly	
PART NO	REV
K2086-95	
SHEET 1 OF 1	

Ship To:
Sales Order#

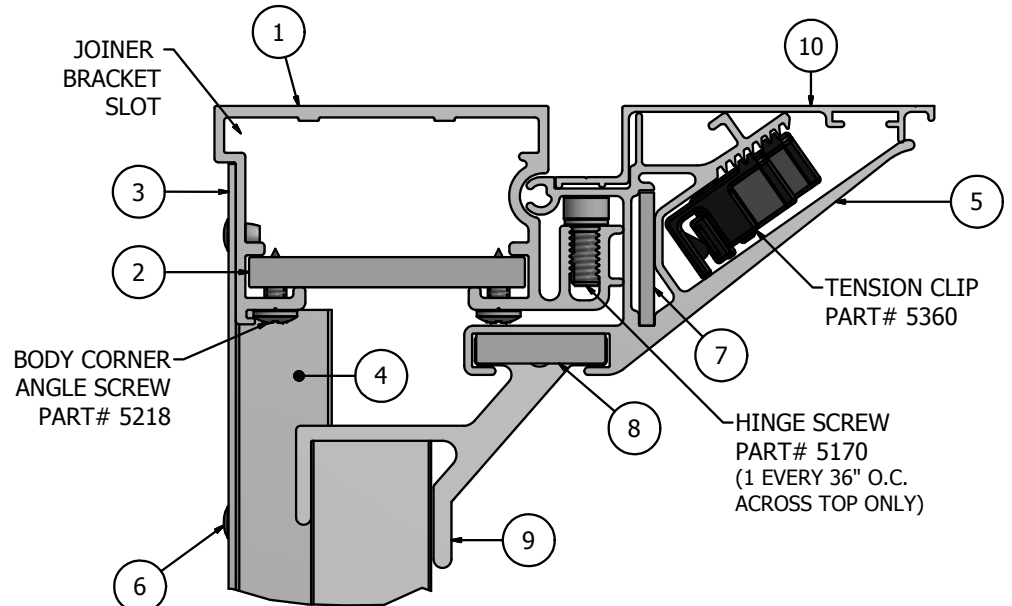


BRAKE FORM ALUM.
OR STOCK ANGLE
BACK SUPPORT
3/4" X .090

NOTE: FRAME BRACING GUIDELINES APPLY FOR BOTH THE BLEED AND FRAMED COVERS.

NOTE: THE NARROW SINGLE FACE BODY IS DESIGNED FOR LED APPLICATION.

PARTS LIST		
ITEM	PART#	DESCRIPTION
1	2021	Narrow Single Face Body
2	5321	Narrow Body Corner Angle
3		Aluminum Back
4		Aluminum Back Support - Frame Support Tube #2175
5	2086	Tension Frame II
6		Rivet
7	5210	Corner Key
8	5305	Frame Corner Angle
9	5352	Small Frame Brace
10	2095	Bleed Tension Frame Cover
11	2177	Small Frame Support Tube - 1"



DETAIL A

NOTE: PRE-CUT KITS ARE NOT PRE-DRILLED.
(Holes shown in this drawing are for reference only.
Drilling of pilot holes are to be done by fabricator.)

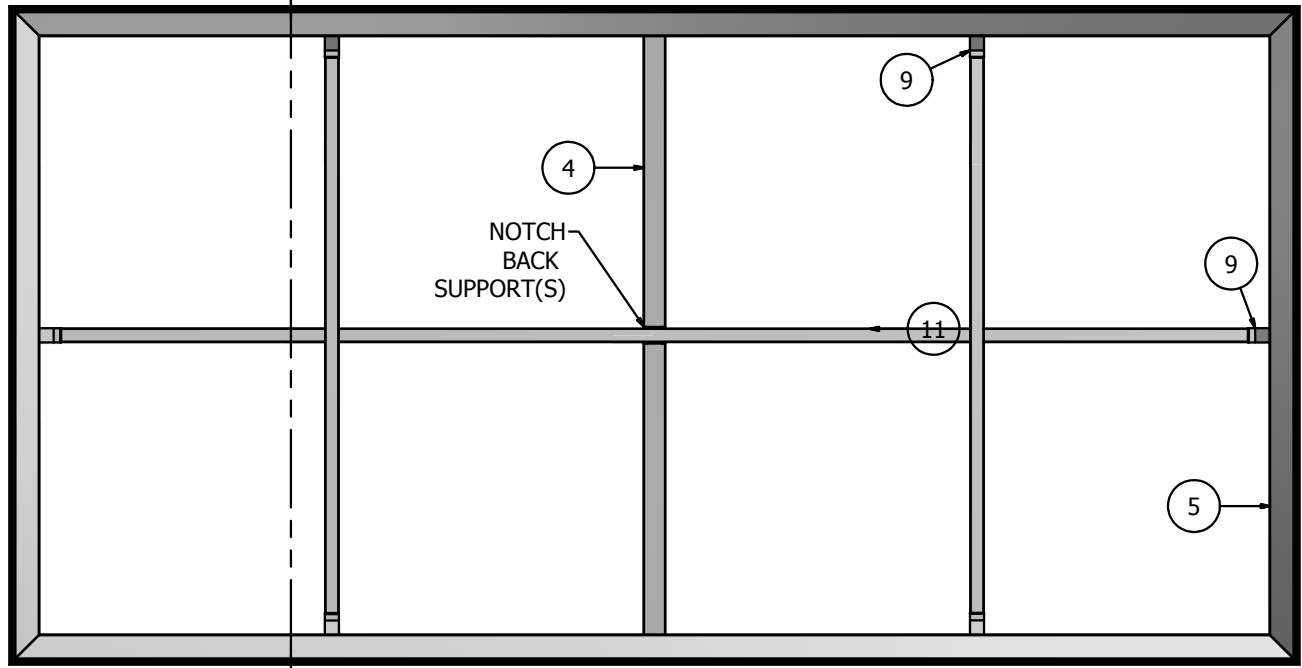
THIS DRAWING WAS CREATED AT NO CHARGE TO ASSIST YOU IN VISUALIZING OUR PROPOSAL. THE DRAWING HEREIN IS THE PROPERTY OF SIGNCOMP. PERMISSION TO COPY OR REVISE THIS DRAWING OR TO USE THIS DRAWING FOR PRODUCTION IS STRICTLY PROHIBITED AND CAN ONLY BE COPIED, REVISED OR USED FOR PRODUCTION WITH THE EXPRESSED WRITTEN PERMISSION OF SIGNCOMP.

DRAWING BY:	SBreihof	6/11/2014
Centroid X:	0.000 in	
Centroid Y:	0.000 in	
Principal Moments Ix:	0.000 in ⁴	
Principal Moments Iy:	0.000 in ⁴	
Section Modulus Ix:	0.000 in ³	
Section Modulus Iy:	0.000 in ³	

SignComp

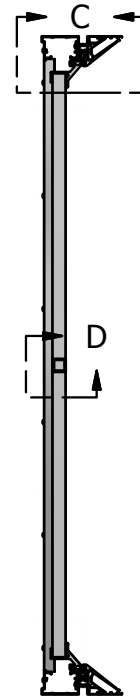
Narrow Single Face Body w/
Tension Frame II and Bleed Cover -
Cross Sectional Details

PART NO **2021-86-95 with 5352** REV



NOTCH
BACK
SUPPORT(S)

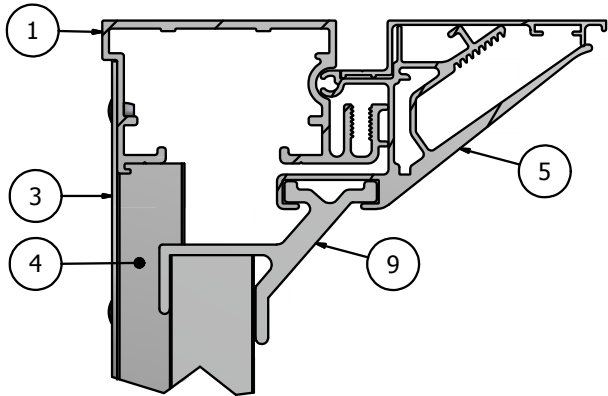
FRONT VIEW



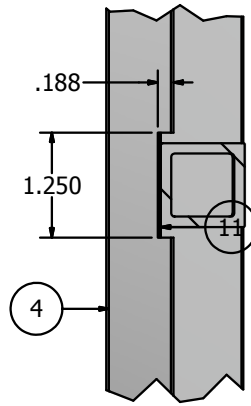
SECTION B-B

NOTE: NOTCHING IS BASED ON THE USE OF SIGNCOMP #2175 FRAME SUPPORT TUBE FOR BACK SUPPORT OR A BRAKE FORMED ALUMINUM SUPPORT 2" x 3/4" x .090, AND 1" SQ TUBE FOR COMPRESSION BRACING.

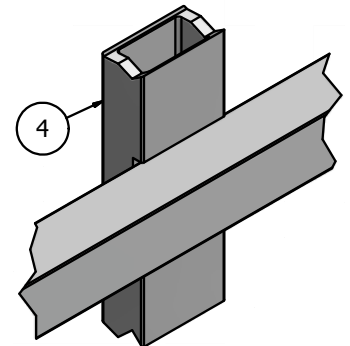
NOTE: NOTCH THE BACK SUPPORT(S) AS SHOWN, TO ACCOMMODATE THE HORIZONTAL FRAME SUPPORT(S). DIMENSIONS MAY VARY PENDING ON THE SIZE OF SUPPORTS USED.



DETAIL C



DETAIL D



DETAIL D

THIS DRAWING WAS CREATED AT NO CHARGE TO ASSIST YOU IN VISUALIZING OUR PROPOSAL. THE DRAWING HEREIN IS THE PROPERTY OF SIGNCOMP. PERMISSION TO COPY OR REVISE THIS DRAWING OR TO USE THIS DRAWING FOR PRODUCTION IS STRICTLY PROHIBITED AND CAN ONLY BE COPIED, REVISED OR USED FOR PRODUCTION WITH THE EXPRESSED WRITTEN PERMISSION OF SIGNCOMP.

DRAWING BY:	SBreihof	6/11/2014
Centroid X:	0.000 in	
Centroid Y:	0.000 in	
Principal Moments Ix:	0.000 in ⁴	
Principal Moments Iy:	0.000 in ⁴	
Section Modulus Ix:	0.000 in ³	
Section Modulus Iy:	0.000 in ³	

		TITLE
		<p>Narrow Single Face Body w/ Tension Frame II and Bleed Cover - Cross Sectional Details</p>
PART NO	<p>2021-86-95 with 5352</p>	REV
		SHEET 2 OF 2