

2



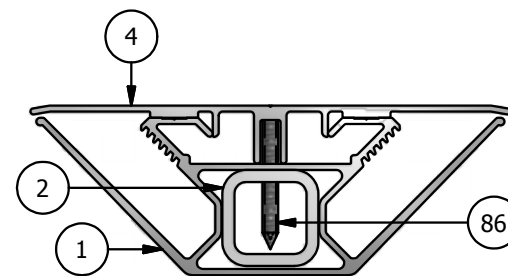
1

PARTS LIST

ITEM	PART #	DESCRIPTION	NOTES
1	K2230	Flat Bleed Double Face Tension Body	Assembly
2		1" Sq Tube Support	Not Provided by SignComp
3		Attachment Plate	Not Provided by SignComp
4	2235	Flat Bleed Double Face Tension Cover	All sides
86	5270	Flat Bleed Double Face Tension Cover Screw	#8 x 1-1/2" countersink screw - One (1) every 24"

NOTE: PRE-CUT KITS ARE NOT PRE-DRILLED.

(Holes shown in this drawing are for reference only.
Drilling of pilot holes are to be done by fabricator.)

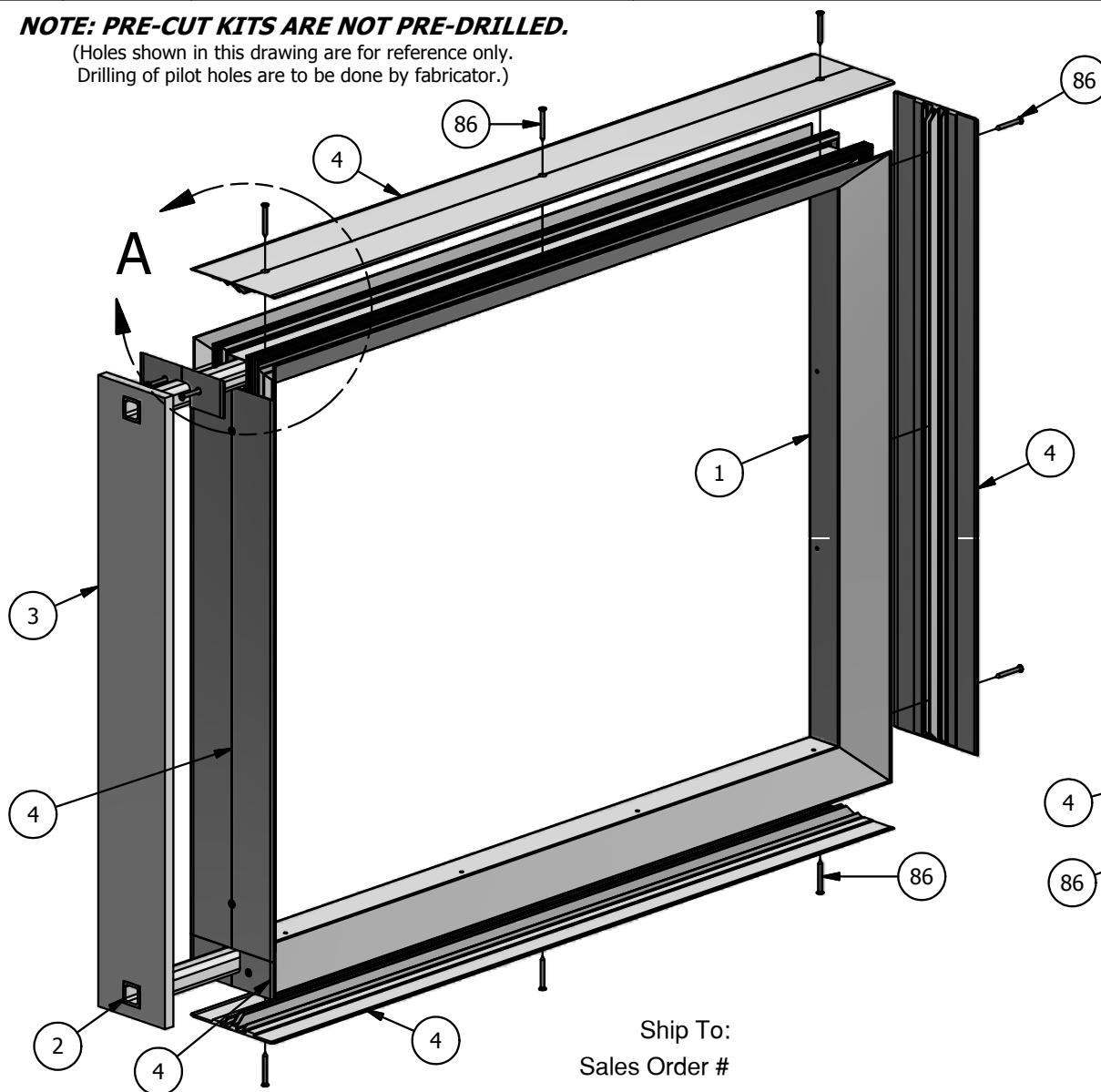


CROSS-SECTION VIEW

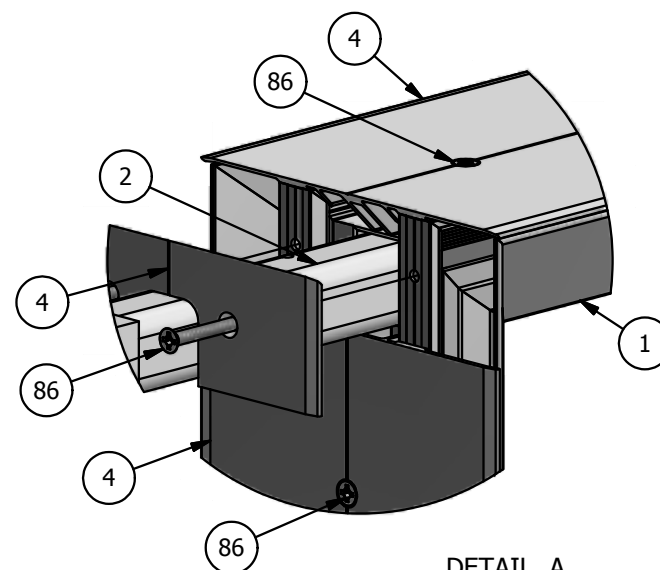
NOTE: THE LENGTH OF THE COVER SCREW HAS A MULTI PURPOSE. IT ATTACHES THE COVER TO THE BODY, AND ALSO EXTENDS INTO THE HOLLOW CHANNEL IN THE BODY, SECURING THE BODY TO THE STRUCTURAL TUBE.

B

B



Ship To:
Sales Order #



DETAIL A
ASSEMBLED

2



1

THIS DRAWING WAS CREATED AT NO CHARGE TO ASSIST YOU IN VISUALIZING OUR PROPOSAL. THE DRAWING HEREIN IS THE PROPERTY OF SIGNCOMP. PERMISSION TO COPY OR REVISE THIS DRAWING OR TO USE THIS DRAWING FOR PRODUCTION IS STRICTLY PROHIBITED AND CAN ONLY BE COPIED, REVISED OR USED FOR PRODUCTION WITH THE EXPRESSED WRITTEN PERMISSION OF SIGNCOMP.

Part Name: Flat Bleed Double Face Tension Body w/ Bleed Cover - Assembly

Part Number: K2230/2235

Revision: 4/7/2015

Sheet: 1 of 1

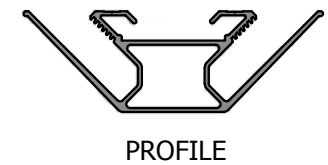
Size: A

Drawing By: SBreihof

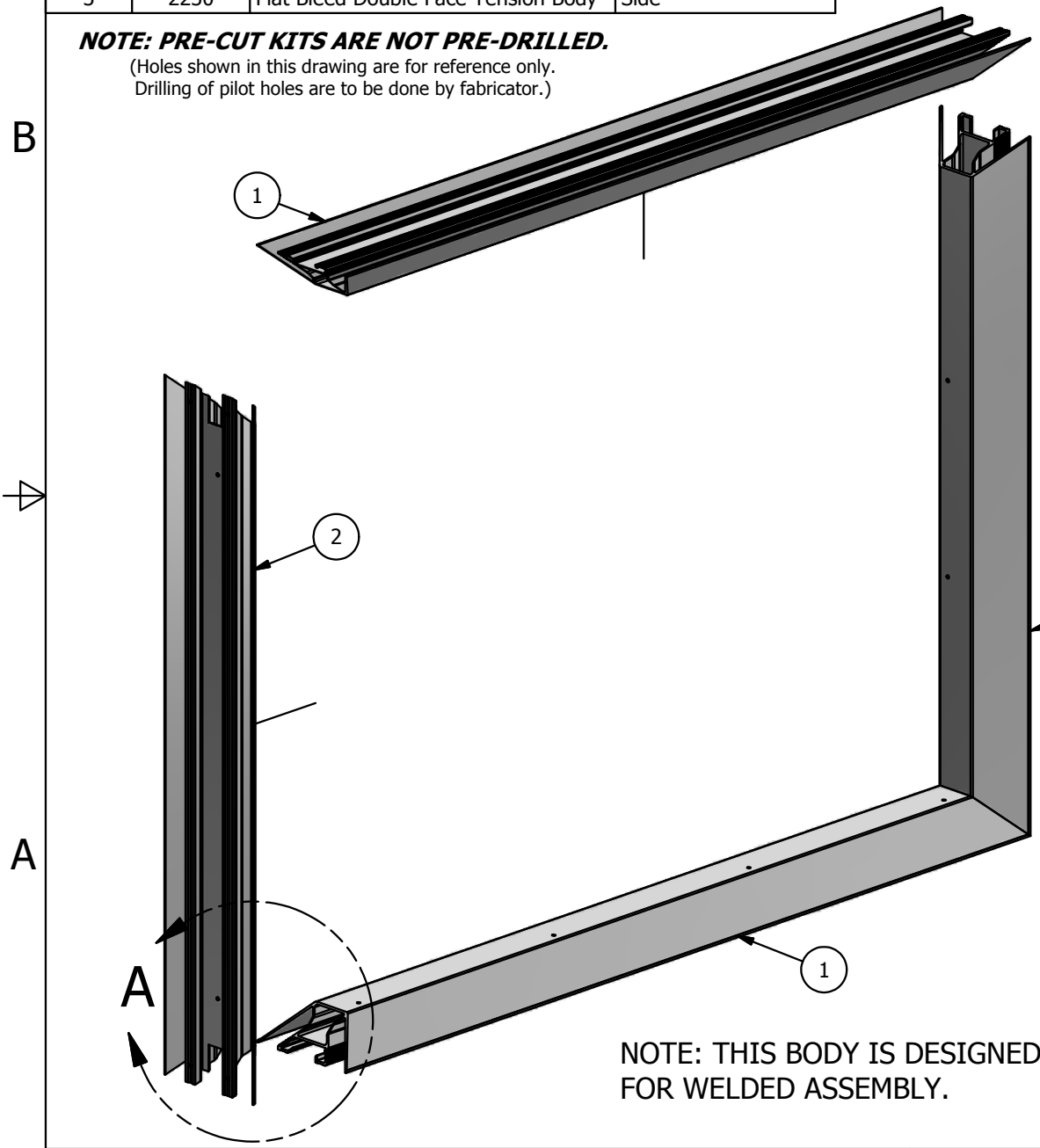
SignComp

PARTS LIST			
ITEM	PART #	DESCRIPTION	NOTES
1	2230	Flat Bleed Double Face Tension Body	Top & Bottom
2	2230	Flat Bleed Double Face Tension Body	Side with Notches
3	2230	Flat Bleed Double Face Tension Body	Side

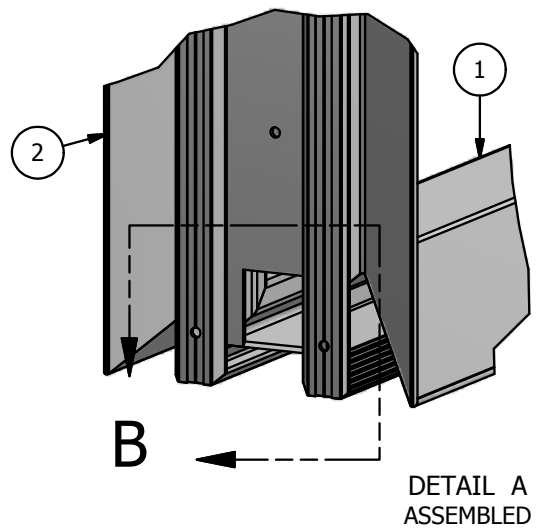
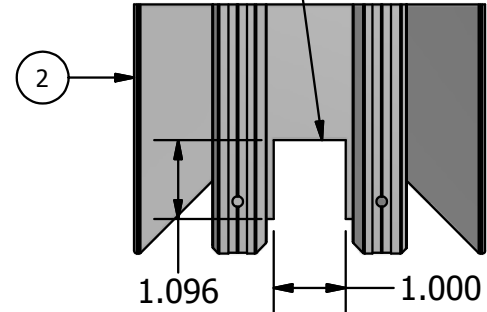
Ship To:
Sales Order #



NOTE: PRE-CUT KITS ARE NOT PRE-DRILLED.
(Holes shown in this drawing are for reference only.
Drilling of pilot holes are to be done by fabricator.)



NOTE: NOTCH THE EXTRUSION IN ORDER TO ACCOMMODATE THE STRUCTURAL I" STEEL TUBE, **NOT PROVIDED BY SIGNCOMP.**



NOTE: THIS BODY IS DESIGNED FOR WELDED ASSEMBLY.

THIS DRAWING WAS CREATED AT NO CHARGE TO ASSIST YOU IN VISUALIZING OUR PROPOSAL. THE DRAWING HEREIN IS THE PROPERTY OF SIGNCOMP. PERMISSION TO COPY OR REVISE THIS DRAWING OR TO USE THIS DRAWING FOR PRODUCTION IS STRICTLY PROHIBITED AND CAN ONLY BE COPIED, REVISED OR USED FOR PRODUCTION WITH THE EXPRESSED WRITTEN PERMISSION OF SIGNCOMP.

Part Name: Flat Bleed Double Face Tension Body	Sheet: 1 of 1	Size: A
Part Number: K2230	Drawing By: SBreihof	
	Date: 4/7/2015	

SignComp

2

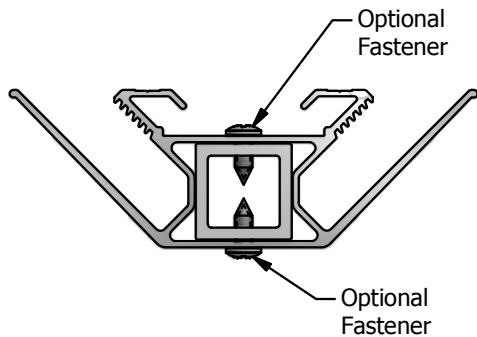
1

PARTS LIST

ITEM	PART #	DESCRIPTION	NOTES
1	2230	Flat Bleed Double Face Tension Body	Assembly
2		1" Sq Steel Tube Support	Not provided by SignComp
3		Attachment Plate	Not provided by SignComp

Ship To:
Sales Order #

NOTE: OPTIONAL FASTENERS MAY BE PLACED ALONG THE INNER OR OUTER SIDES OF THE BODY FRAME TO SECURE THE TUBE TO THE WELDED BODY AS SHOWN. **OPTIONAL FASTENERS ARE NOT PROVIDED BY SIGNCOMP.**



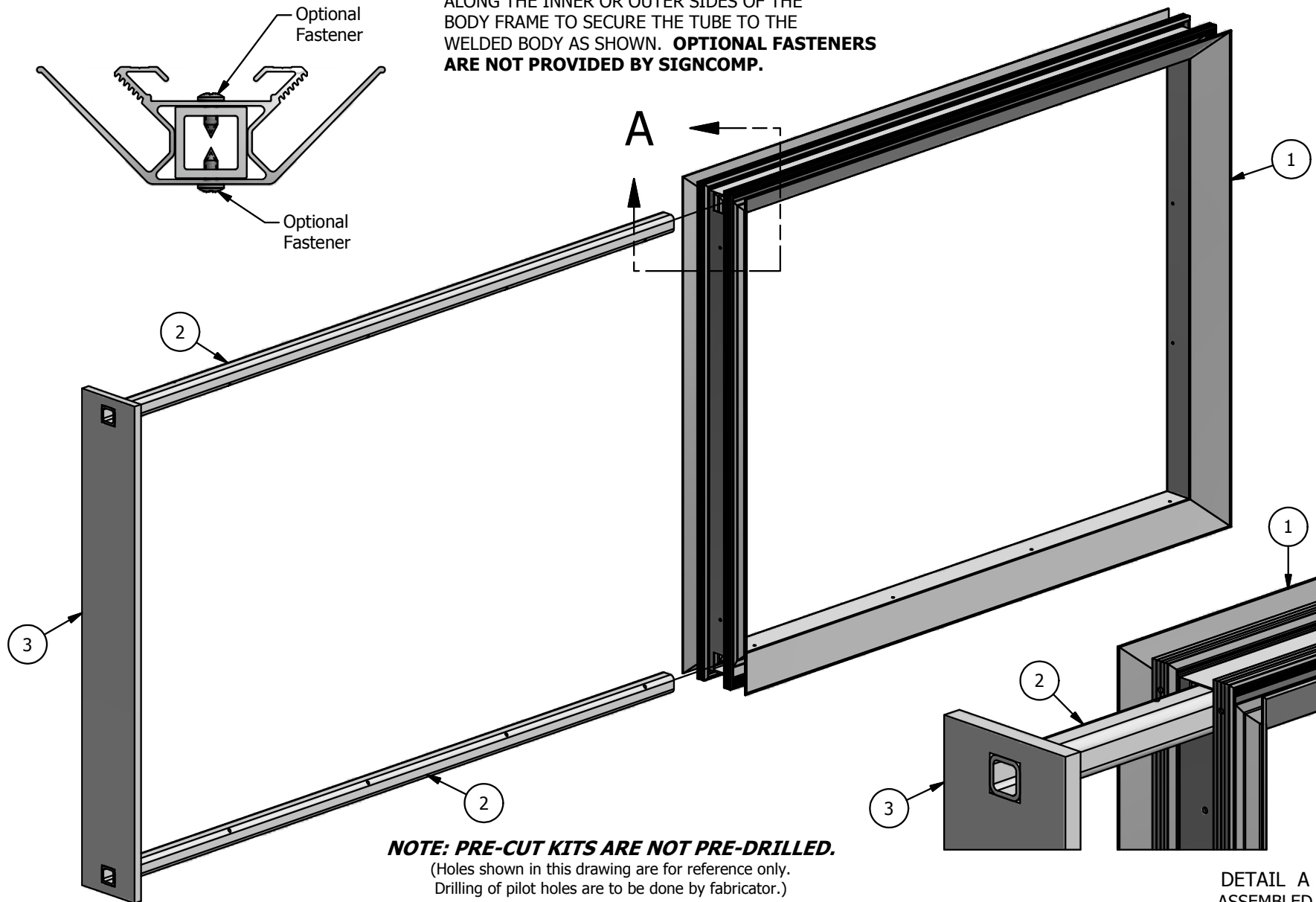
B

A

B

A

A



NOTE: PRE-CUT KITS ARE NOT PRE-DRILLED.
(Holes shown in this drawing are for reference only.
Drilling of pilot holes are to be done by fabricator.)

DETAIL A
ASSEMBLED

THIS DRAWING WAS CREATED AT NO CHARGE TO ASSIST YOU IN VISUALIZING OUR PROPOSAL. THE DRAWING HEREIN IS THE PROPERTY OF SIGNCOMP. PERMISSION TO COPY OR REVISE THIS DRAWING OR TO USE THIS DRAWING FOR PRODUCTION IS STRICTLY PROHIBITED AND CAN ONLY BE COPIED, REVISED OR USED FOR PRODUCTION WITH THE EXPRESSED WRITTEN PERMISSION OF SIGNCOMP.

Part Name: Flat Bleed Double Face Tension Body w/ Support

Part Number: K2230-Support

Date: 4/7/2015

Drawing By: SBreihof

Sheet: 1 of 1

Size: A

SignComp

A

2

A

1

2



1

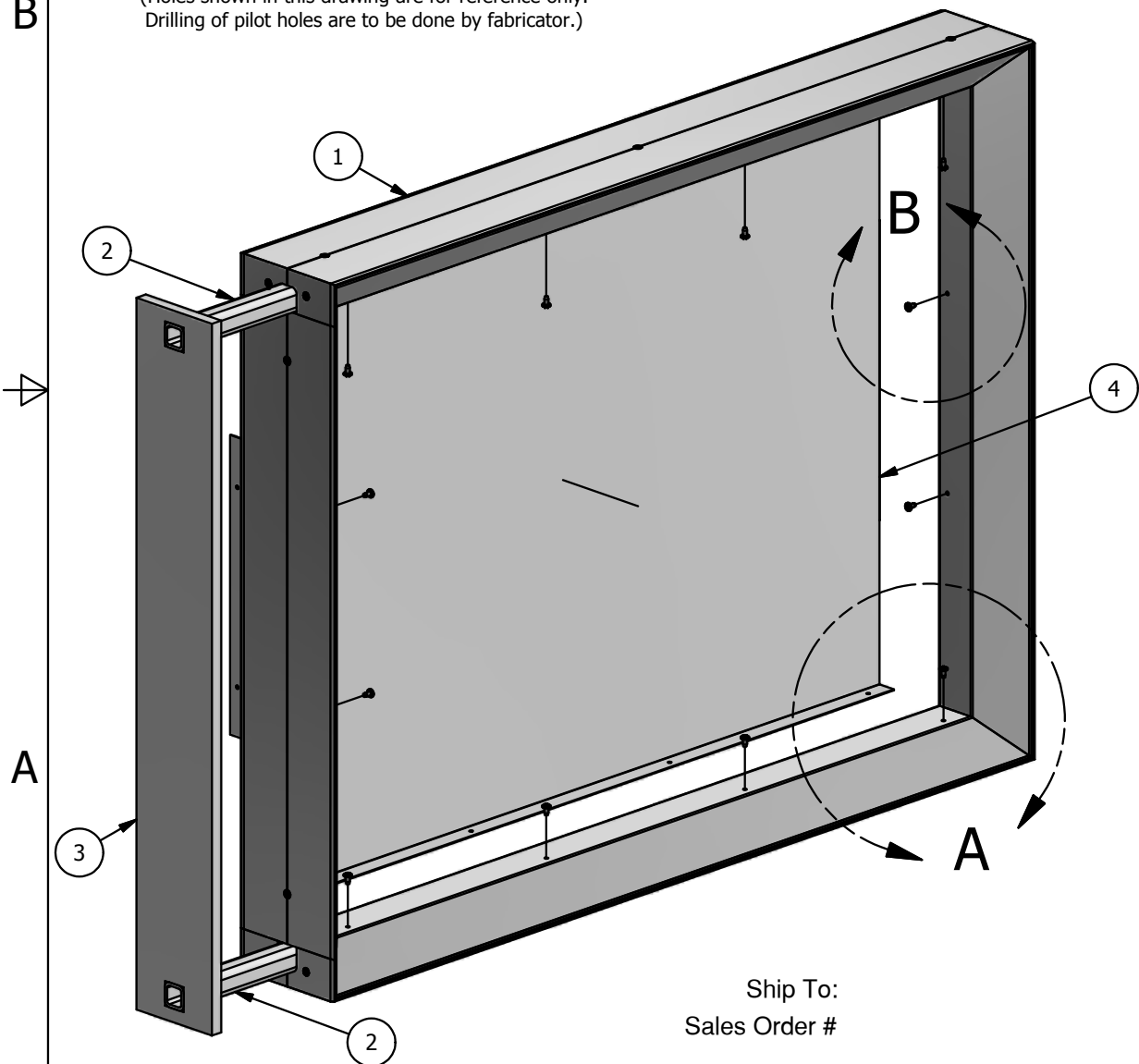
PARTS LIST

ITEM	PART #	DESCRIPTION	NOTES
1	K2230/35	Flat Bleed Double Face Tension Body and Bleed	Assembly
2		1" Sq Steel Tube Support	Not Provided by SignComp
3		Attachmnet Plate - Optional	Not Provided by SignComp
4		LED Baffel - Optional	Not Provided by SignComp
5		Baffel Attachment Screw	Not Provided by SignComp

NOTE: PRE-CUT KITS ARE NOT PRE-DRILLED.

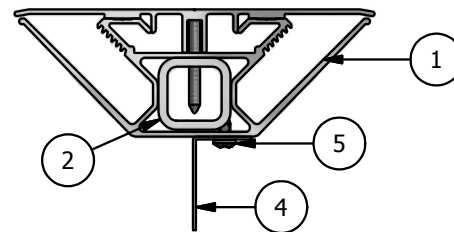
(Holes shown in this drawing are for reference only.
Drilling of pilot holes are to be done by fabricator.)

B

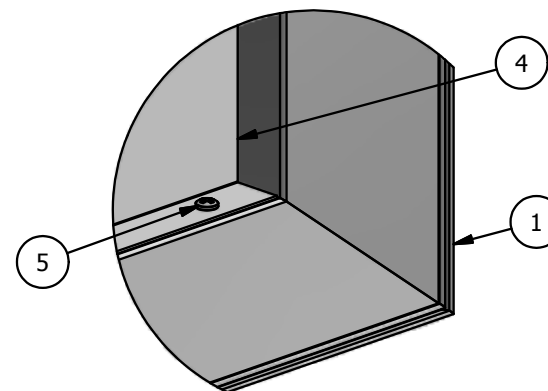


Ship To:
Sales Order #

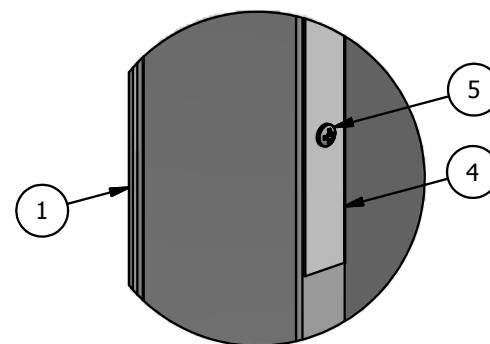
2



CROSS-SECTION VIEW



DETAIL A
ASSEMBLED



DETAIL B
BACK VIEW ASSEMBLED

1

B



A

THIS DRAWING WAS CREATED AT NO CHARGE TO ASSIST YOU IN VISUALIZING OUR PROPOSAL. THE DRAWING HEREIN IS THE PROPERTY OF SIGNCOMP. PERMISSION TO COPY OR REVISE THIS DRAWING OR TO USE THIS DRAWING FOR PRODUCTION IS STRICTLY PROHIBITED AND CAN ONLY BE COPIED, REVISED OR USED FOR PRODUCTION WITH THE EXPRESSED WRITTEN PERMISSION OF SIGNCOMP.

Part Name: Flat Bleed Double Face Tension Body/Cover Assembly w/ Baffle

Part Number: K2230/35 Baffle

Size:

Sheet: 1 of 1

Sheet: 1 of 1

Drawing By: SBreihof

Date: 4/9/2015

Revision:

SignComp