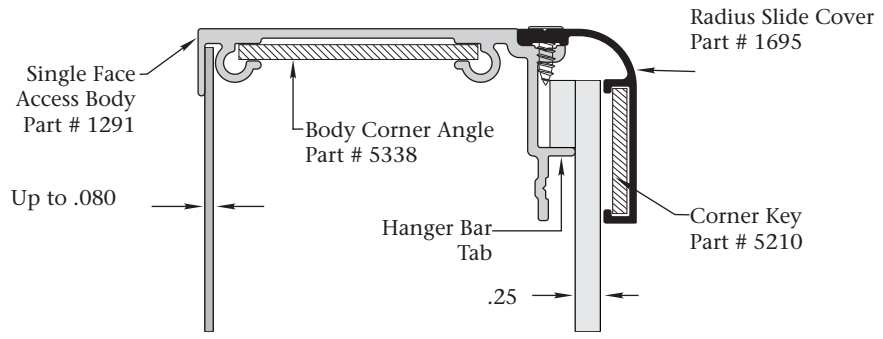


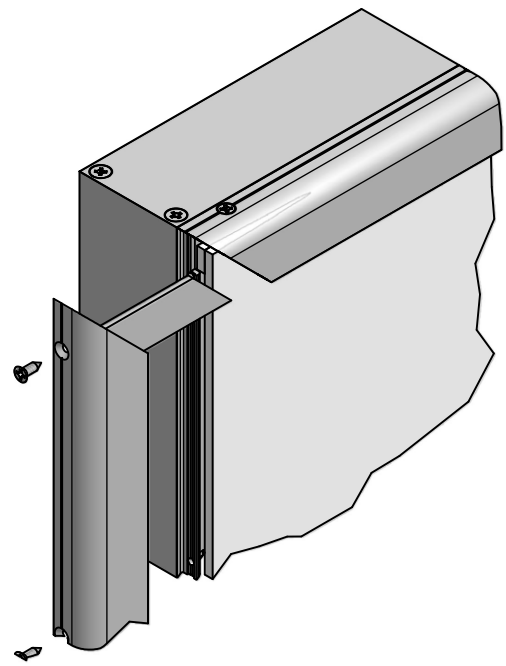
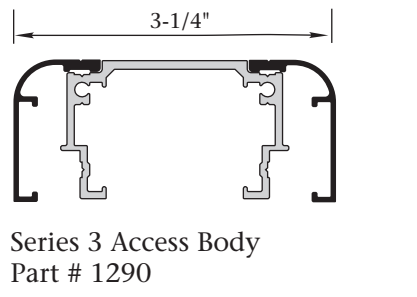
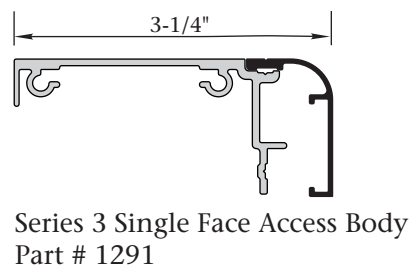


PRODUCT UPDATE: Radius Slide Cover

Part Number	Part	Length	Finish
1695	Radius Slide Cover	24'-5"	Mill Finish



Body Options:



Shown with Single Face Access Body
Part # 1291

Features & Benefits

- Low profile for illuminated applications
- Removable cover to access electrical
- Two Body options-
Single Face Access Body
Double Face Access Body