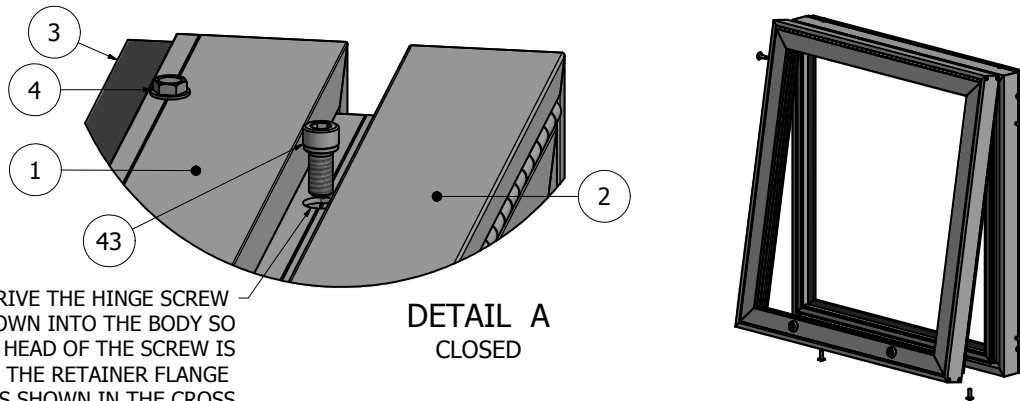
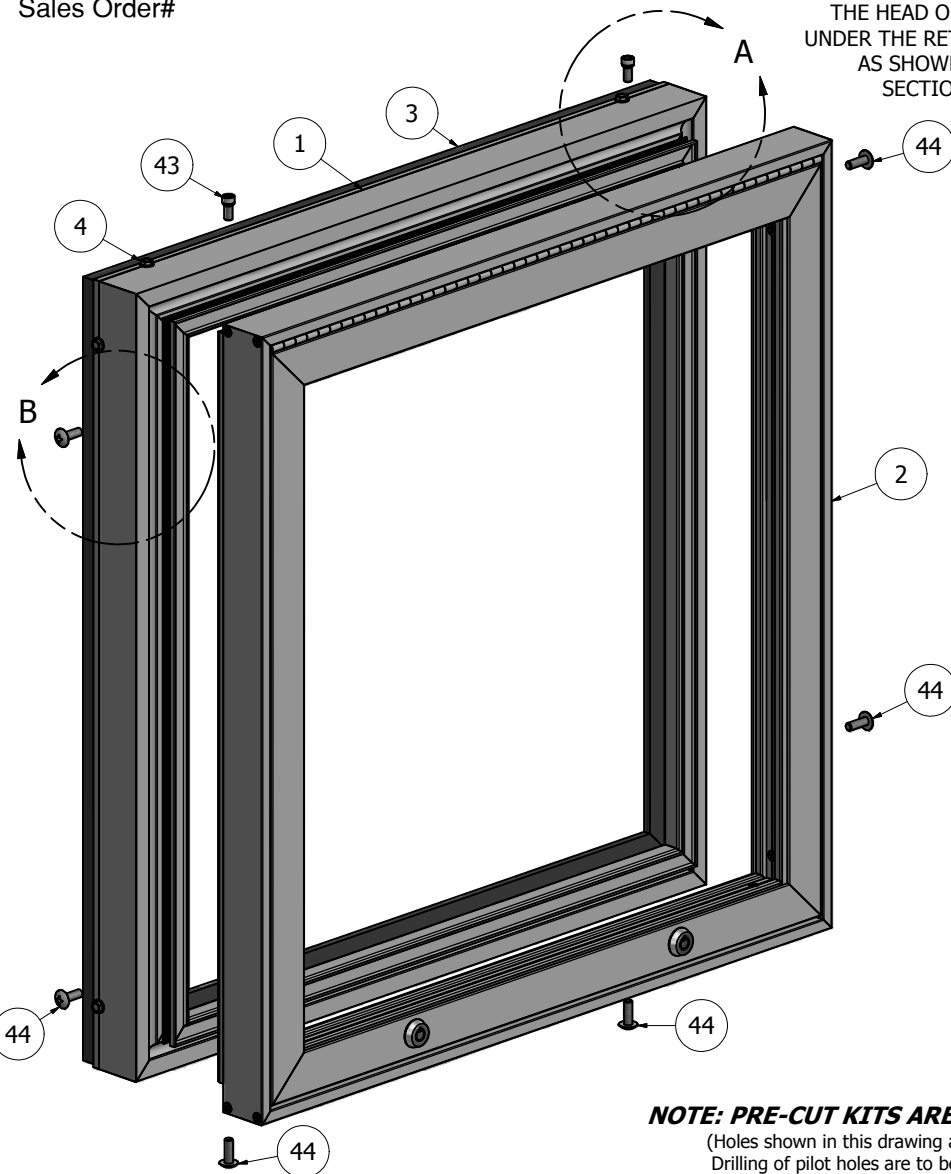


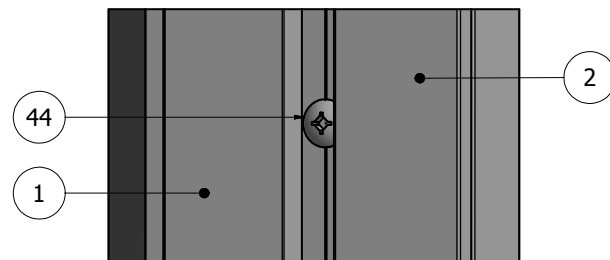
PARTS LIST			
ITEM	PART #	DESCRIPTION	NOTES
1	K2040	Retro Body	Assembly
2	K2099/42	Small Inner/ Outer Retainer	Assembly
3	By Other	Angle or Tubing	Required if not attaching to existing structure.
4	By Other	Attachment Fastener	Not provided by SignComp.
43	5170	Hinge Screw	Drill 3/8" pilot hole
44	5180	Closure Screw	Drill 5/16" pilot hole

Ship To:
Sales Order#

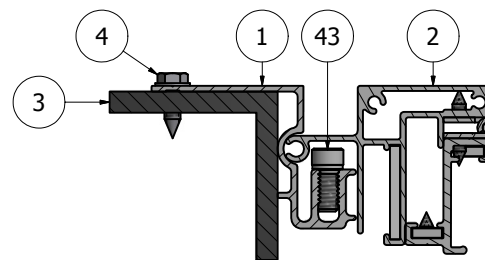
DRIVE THE HINGE SCREW DOWN INTO THE BODY SO THE HEAD OF THE SCREW IS UNDER THE RETAINER FLANGE AS SHOWN IN THE CROSS SECTION VIEW BELOW.



DETAIL A
CLOSED



DETAIL B
CLOSED



TOP CROSS-SECTION VIEW

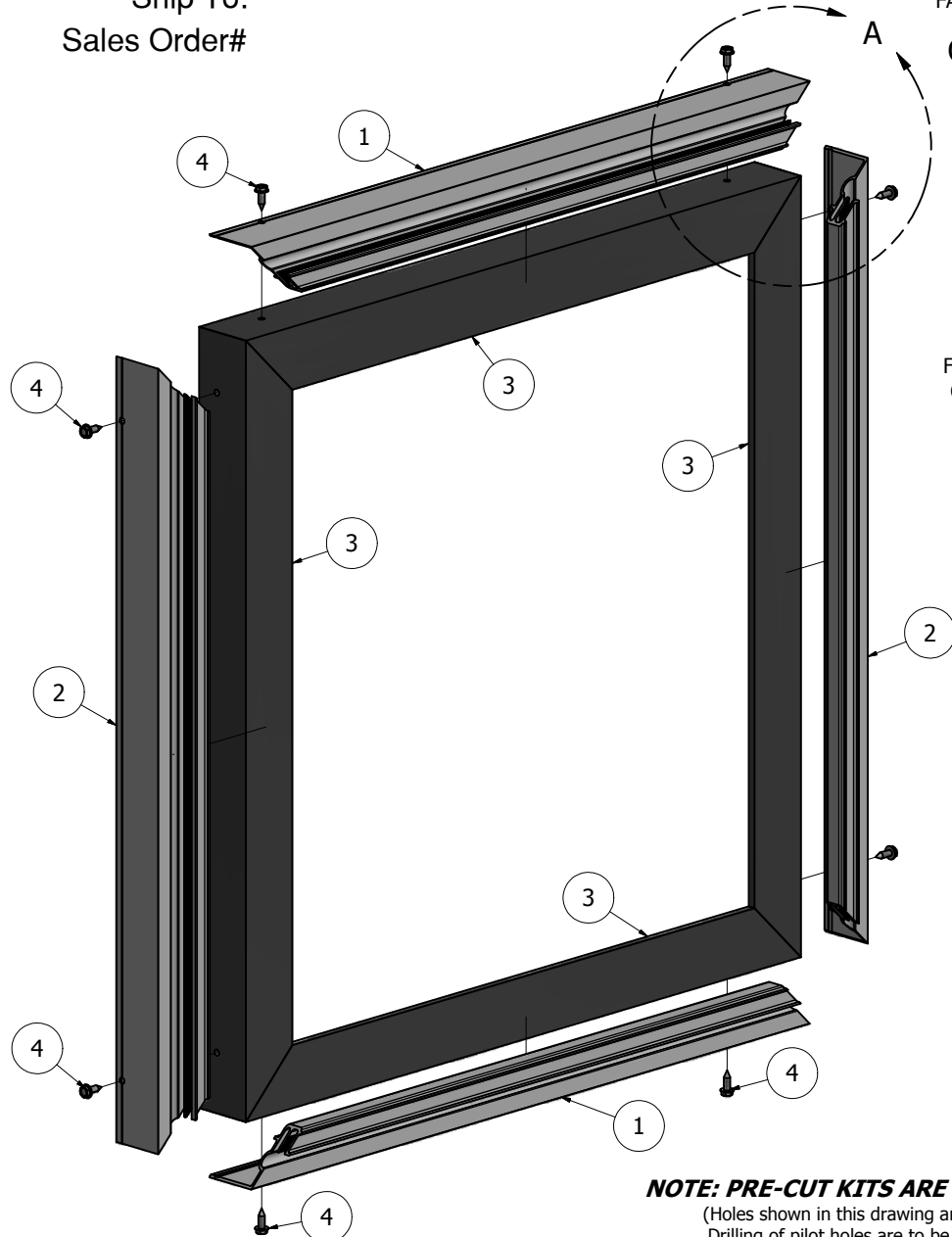
THIS DRAWING WAS CREATED AT NO CHARGE TO ASSIST YOU IN VISUALIZING OUR PROPOSAL. THE DRAWING HEREIN IS THE PROPERTY OF SIGNCOMP. PERMISSION TO COPY OR REVISE THIS DRAWING OR TO USE THIS DRAWING FOR PRODUCTION IS STRICTLY PROHIBITED AND CAN ONLY BE COPIED, REVISED OR USED FOR PRODUCTION WITH THE EXPRESSED WRITTEN PERMISSION OF SIGNCOMP.

DRAWING BY:	SBreihof	6/25/2013	SignComp
Centroid X:	0.000 in		
Centroid Y:	0.000 in		TITLE
Principal Moments Ix:	0.000 in ⁴		Retro Body w/ Small Vandal - Assembly
Principal Moments Iy:	0.000 in ⁴		PART NO
Section Modulus Ix:	0.000 in ³		K2040-99-42
Section Modulus Iy:	0.000 in ³		REV

NOTE: PRE-CUT KITS ARE NOT PRE-DRILLED.
(Holes shown in this drawing are for reference only. Drilling of pilot holes are to be done by fabricator.)

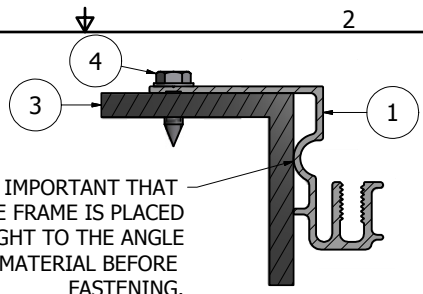
PARTS LIST			
ITEM	PART #	DESCRIPTION	NOTES
1	2040	Retro Body	Top & Bottom
2	2040	Retro Body	Sides
3	By Other	Angle or Tubing	Required if not attaching to existing structure.
4	By Other	Attachment Fastener	Not provided by SignComp

Ship To:
Sales Order#

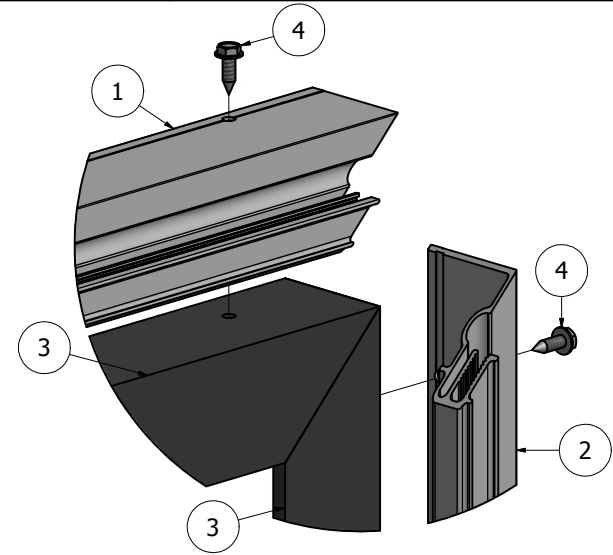


NOTE: PRE-CUT KITS ARE NOT PRE-DRILLED.
(Holes shown in this drawing are for reference only.
Drilling of pilot holes are to be done by fabricator.)

NOTE: IT IS IMPORTANT THAT THE FRAME IS PLACED TIGHT TO THE ANGLE MATERIAL BEFORE FASTENING.

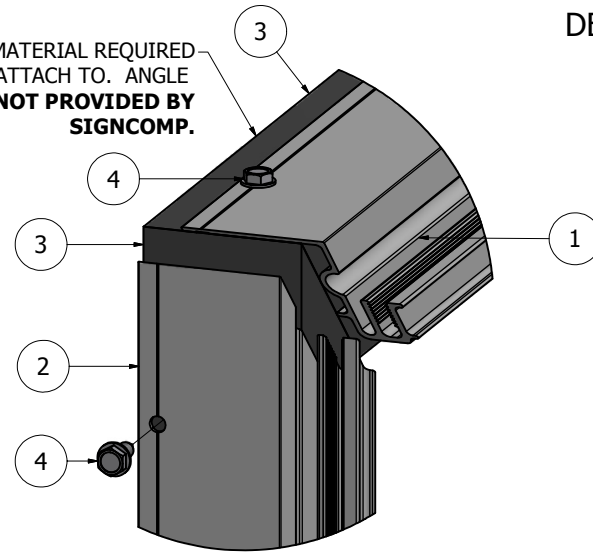


CROSS-SECTION VIEW



DETAIL A-1

RIGHT ANGLE MATERIAL REQUIRED FOR FRAME TO ATTACH TO. ANGLE OR TUBING IS **NOT PROVIDED BY SIGNCOMP.**



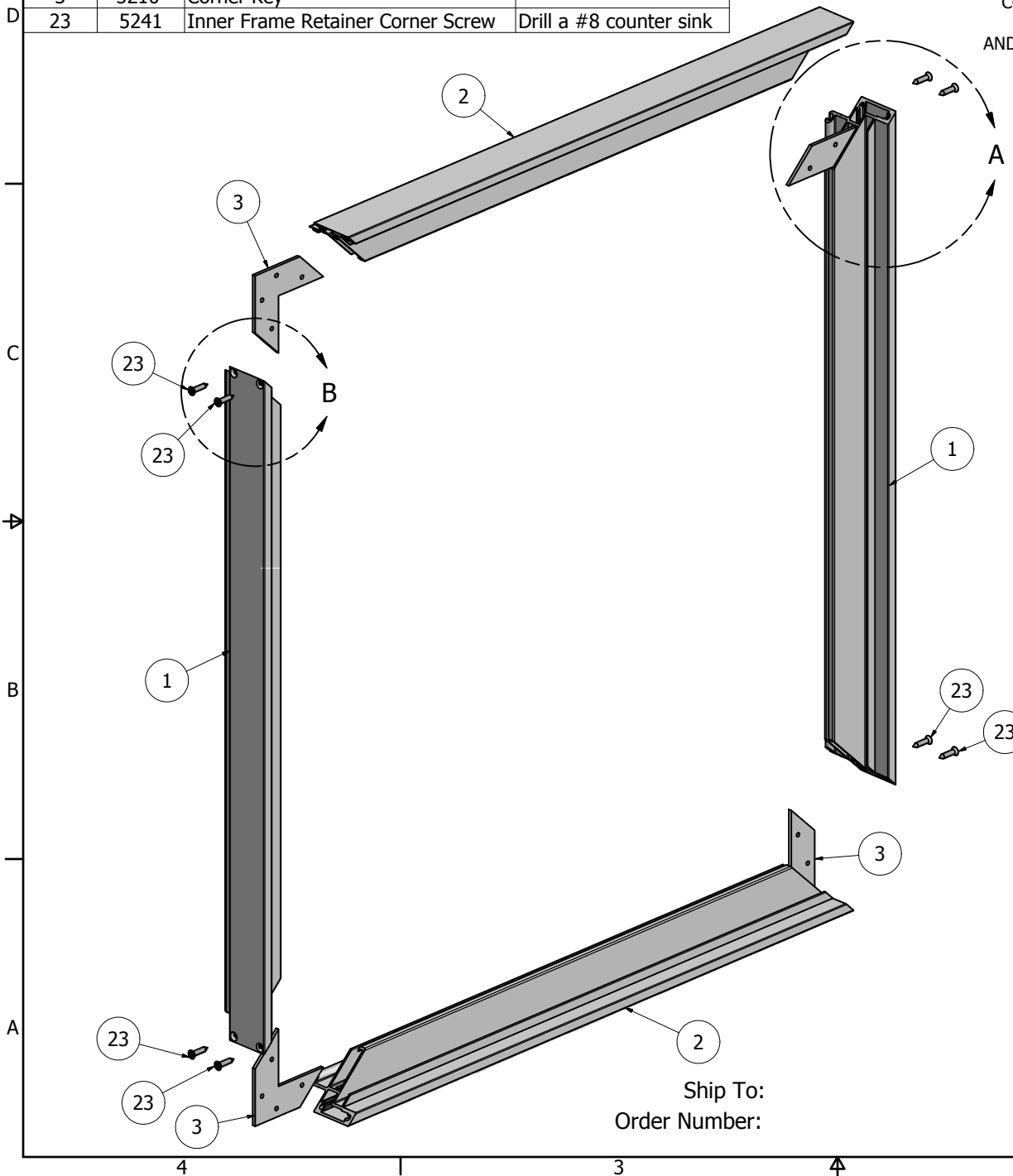
DETAIL A-2
ASSEMBLED

THIS DRAWING WAS CREATED AT NO CHARGE TO ASSIST YOU IN VISUALIZING OUR PROPOSAL. THE DRAWING HEREIN IS THE PROPERTY OF SIGNCOMP. PERMISSION TO COPY OR REVISE THIS DRAWING OR TO USE THIS DRAWING FOR PRODUCTION IS STRICTLY PROHIBITED AND CAN ONLY BE COPIED, REVISED OR USED FOR PRODUCTION WITH THE EXPRESSED WRITTEN PERMISSION OF SIGNCOMP.

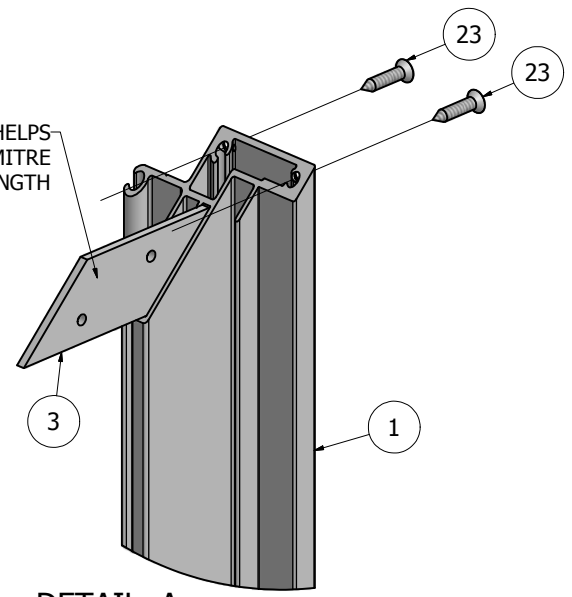
DRAWING BY:	SBreihof	6/11/2013
Centroid X:	0.000 in	
Centroid Y:	0.000 in	
Principal Moments Ix:	0.000 in ⁴	
Principal Moments Iy:	0.000 in ⁴	
Section Modulus Ix:	0.000 in ³	
Section Modulus Iy:	0.000 in ³	

SignComp		TITLE
		Retro Body - Assembly
PART NO	K2040	REV
SHEET 1 OF 1		

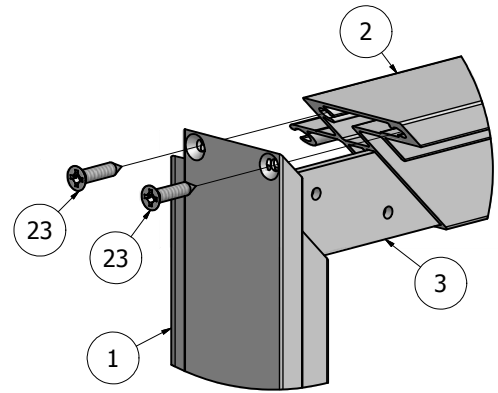
Parts List			
ITEM	PART#	DESCRIPTION	NOTES
1	2099	Inner Frame Retainer	Sides
2	2099	Inner Frame Retainer	Top & Bottom
3	5210	Corner Key	
23	5241	Inner Frame Retainer Corner Screw	Drill a #8 counter sink



CORNER KEY HELPS
ALIGN THE MITRE
AND ADDS STRENGTH



DETAIL A



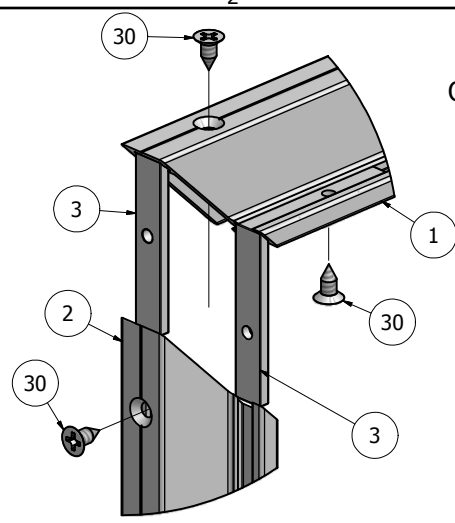
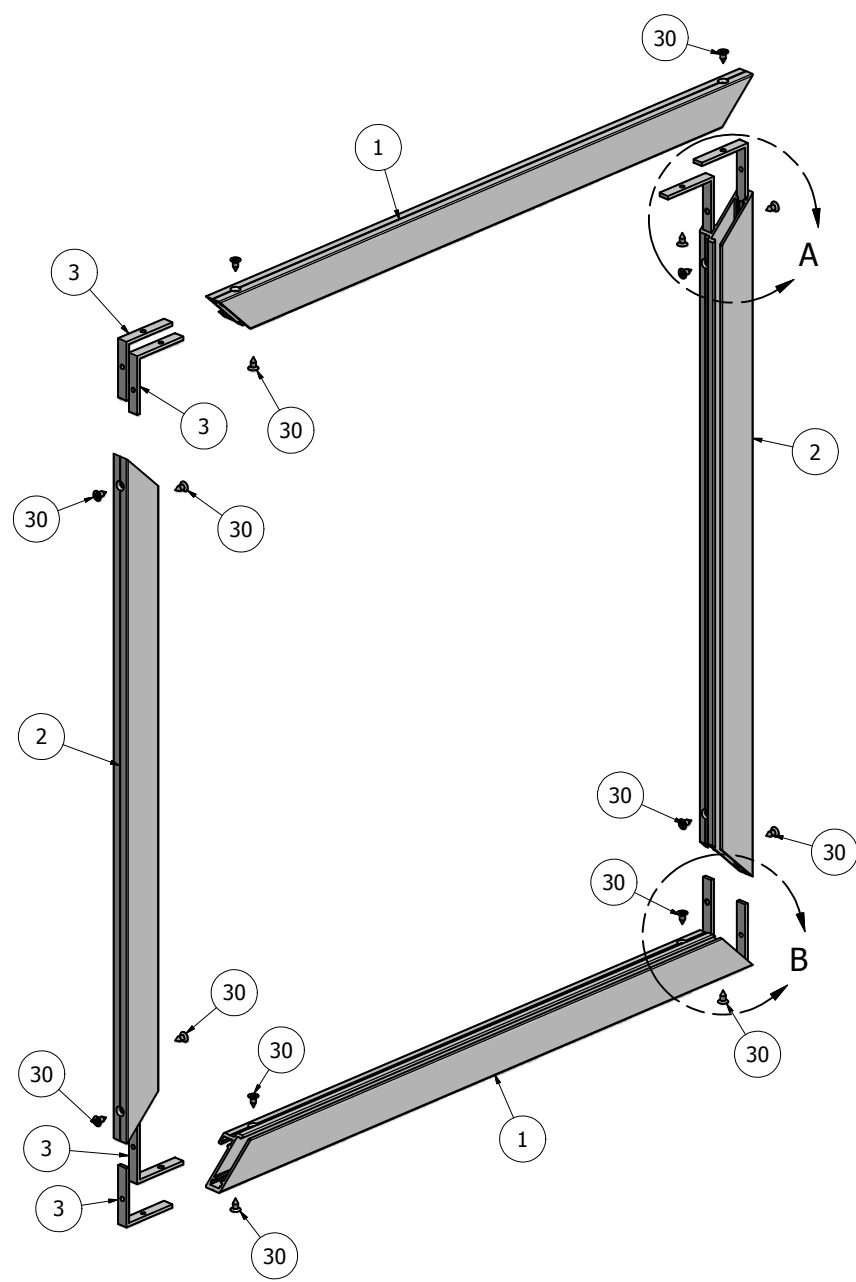
DETAIL B

NOTE: PRE-CUT KITS ARE NOT PRE-DRILLED.
(Holes shown in this drawing are for reference only.
Drilling of pilot holes are to be done by fabricator.)

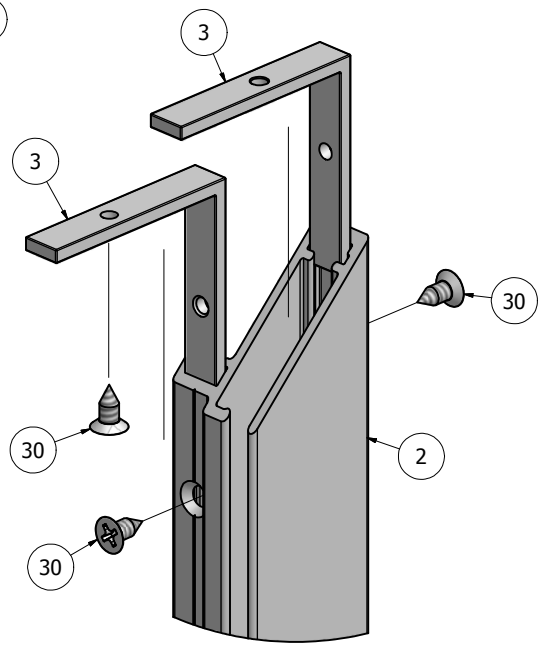
THIS DRAWING WAS CREATED AT NO CHARGE TO ASSIST YOU IN VISUALIZING OUR PROPOSAL. THE DRAWING HEREIN IS THE PROPERTY OF SIGNCOMP. PERMISSION TO COPY OR REVISE THIS DRAWING OR TO USE THIS DRAWING FOR PRODUCTION IS STRICTLY PROHIBITED AND CAN ONLY BE COPIED, REVISED OR USED FOR PRODUCTION WITH THE EXPRESSED WRITTEN PERMISSION OF SIGNCOMP.				
DRAWN	Sarah	3/7/2012		
Centroid X:	0.000 in	TITLE		
Centroid Y:	0.000 in			
Principal Moments Ix:	0.000 in ⁴	Inner Frame Retainer - Assembly		
Principal Moments Iy:	0.000 in ⁴			
Section Modulus Ix:	0.000 in ³	DWG NO	K2099	REV
Section Modulus Iy:	0.000 in ³	SHEET 1 OF 1		

Ship To:
Order Number:

Parts List			
ITEM	PART #	DESCRIPTION	NOTES
1	1942	2Part Outer Frame	Top & Bottom
2	1942	2Part Outer Frame	Ends
3	5975	2Part Outer Frame Corner Angle	
30	5990	2Part Outer Frame Corner Angle Screw	Drill #8 Counter Sink



DETAIL B
BACK VIEW



DETAIL A

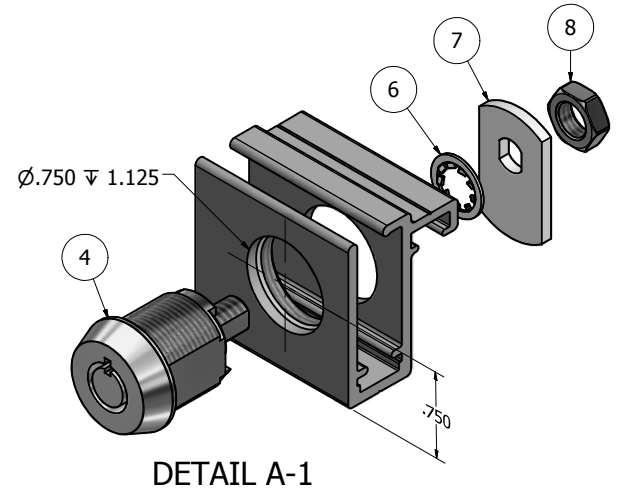
Ship To:
Order Number:

NOTE: PRE-CUT KITS ARE NOT PRE-DRILLED.
(Holes shown in this drawing are for reference only.
Drilling of pilot holes are to be done by fabricator.)

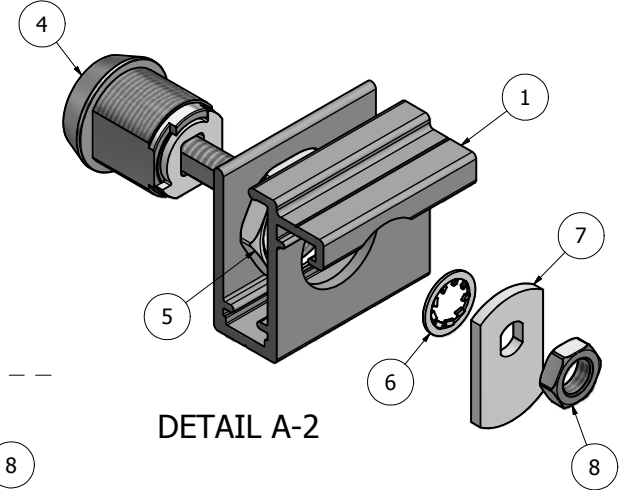
THIS DRAWING WAS CREATED AT NO CHARGE TO ASSIST YOU IN VISUALIZING OUR PROPOSAL. THE DRAWING HEREIN IS THE PROPERTY OF SIGNCOMP. PERMISSION TO COPY OR REVISE THIS DRAWING OR TO USE THIS DRAWING FOR PRODUCTION IS STRICTLY PROHIBITED AND CAN ONLY BE COPIED, REVISED OR USED FOR PRODUCTION WITH THE EXPRESSED WRITTEN PERMISSION OF SIGNCOMP.			
DRAWN Steve	6/17/2010	<h1 style="text-align: center;">SignComp</h1>	
CHECKED			
QA			
MFG			
APPROVED			
		2Part Outer Frame	
SIZE C	DWG NO K1942	REV	
SCALE	SHEET 1 OF 1		

Parts List			
ITEM	PART #	DESCRIPTION	NOTES
1	1942	2Part Outer Frame	
2		Hinge Fastener	1/8" Pop Rivet or #8 Counter Sunk Screw
3	5996	2Part Hinge	
4	5994	2Part Lock	Drill 3/4" Hole - See Detail "A"
5		Lock Nut	
6		Lock Washer	
7		Cam	
8		Cam Nut	
31	5990	Hinge Screw	

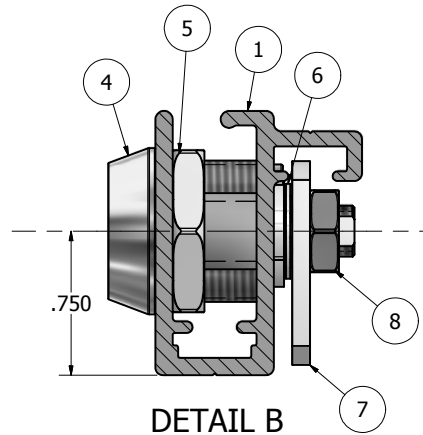
Ship To:
Order Number:



DETAIL A-1



DETAIL A-2



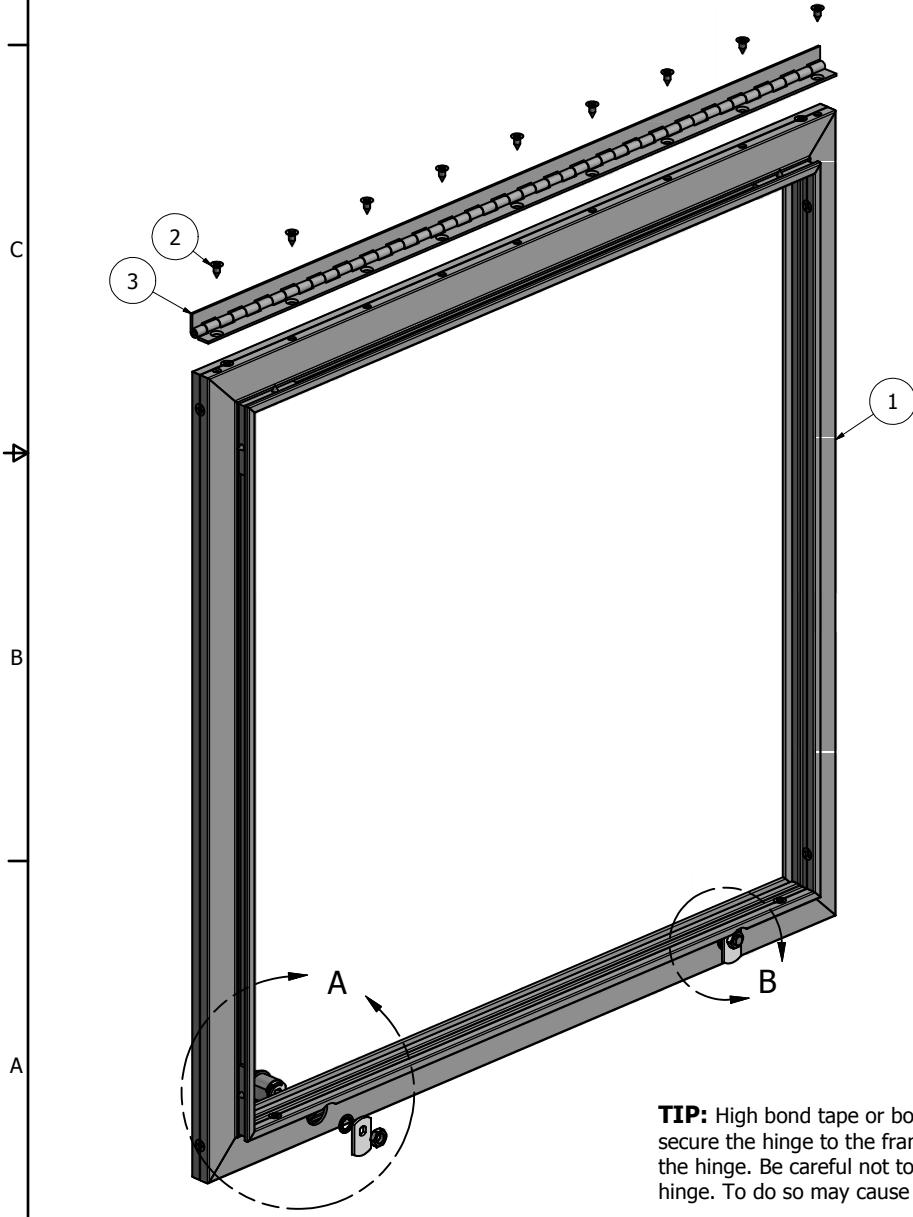
DETAIL B

NOTE: PRE-CUT KITS ARE NOT PRE-DRILLED.
(Holes shown in this drawing are for reference only.
Drilling of pilot holes are to be done by fabricator.)

THIS DRAWING WAS CREATED AT NO CHARGE TO ASSIST YOU IN VISUALIZING OUR PROPOSAL. THE DRAWING HEREIN IS THE PROPERTY OF SIGNCOMP. PERMISSION TO COPY OR REVISE THIS DRAWING OR TO USE THIS DRAWING FOR PRODUCTION IS STRICTLY PROHIBITED AND CAN ONLY BE COPIED, REVISED OR USED FOR PRODUCTION WITH THE EXPRESSED WRITTEN PERMISSION OF SIGNCOMP.

DRAWN	6/17/2010	SignComp	
CHECKED			
QA		TITLE	
MFG		2Part Outer Frame - 2Part Hinge - 2Part Lock - Assembly	
APPROVED		SIZE	DWG NO
		C	K1942-5994-96
		SCALE	REV

TIP: High bond tape or bonding agents can be used to help secure the hinge to the frame and assist in the installation of the hinge. Be careful not to get the tape on the barrel of the hinge. To do so may cause the hinge not to open properly.

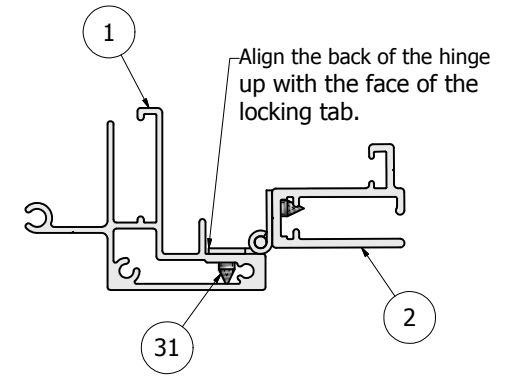
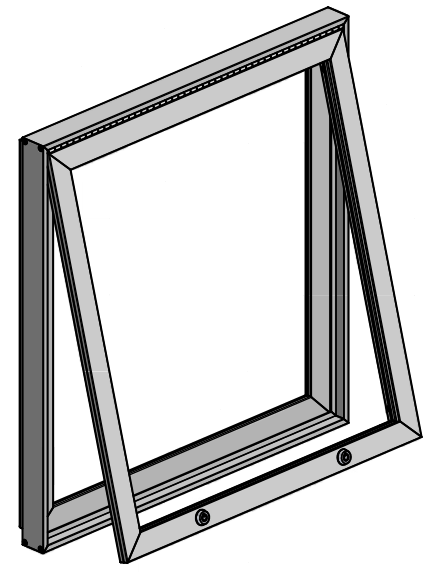
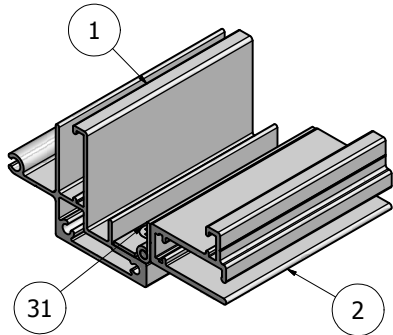
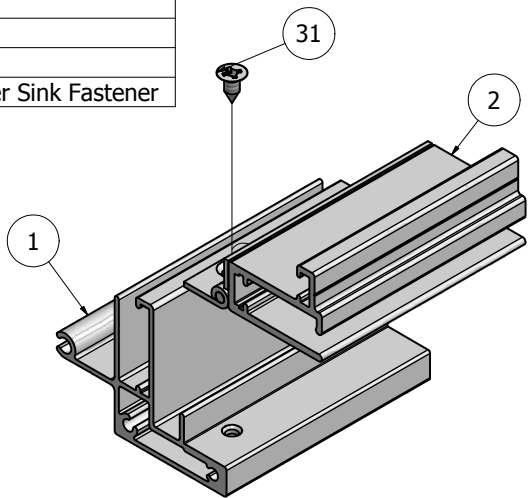
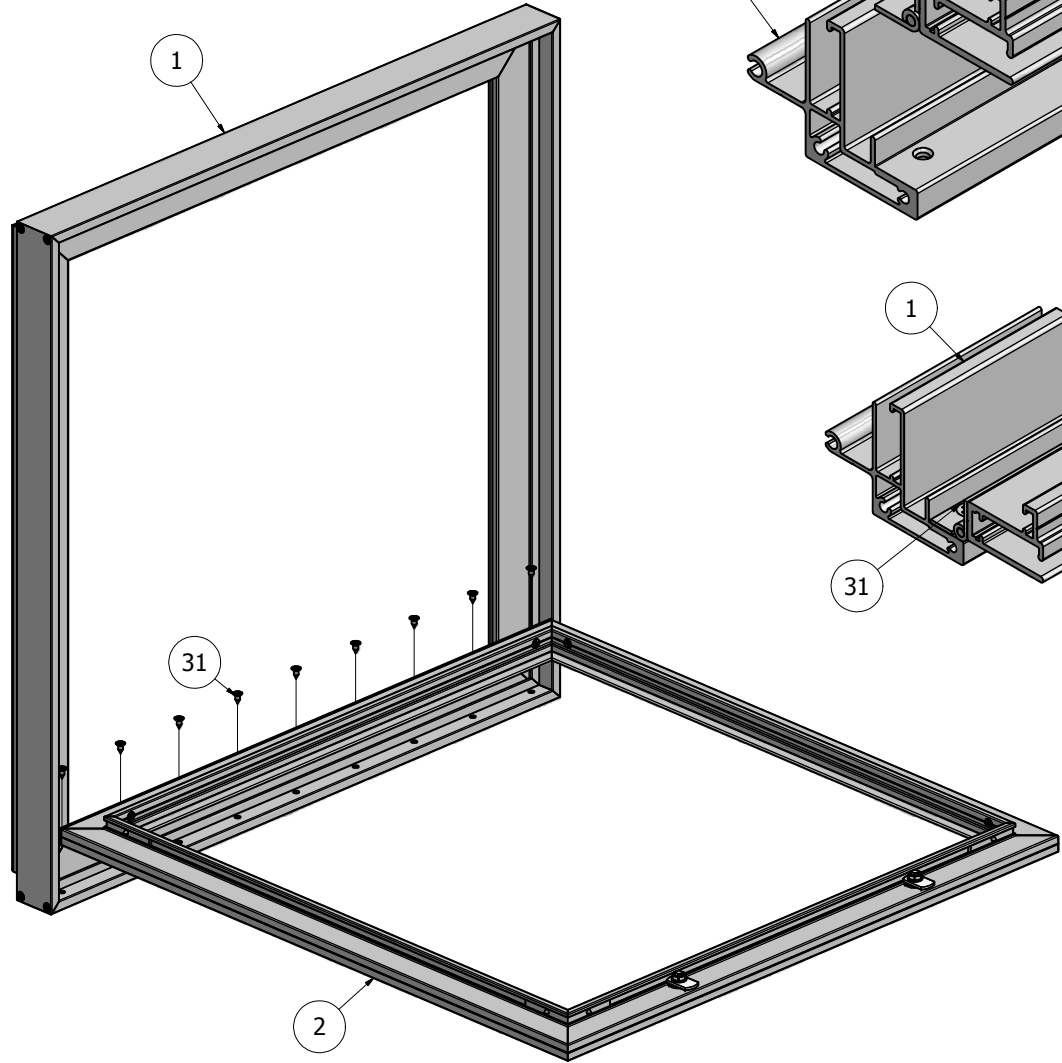


A

B

Parts List			
ITEM	PART#	DESCRIPTION	NOTES
1	K2099	Inner Frame Retainer	Assembly
2	K1942	2Part Outer Frame	Assembly
31	5990	2Part Large/Small Hinge Screw	1/8" Pop Rivet or #8 Counter Sink Fastener

Ship To:
Order Number:



NOTE: PRE-CUT KITS ARE NOT PRE-DRILLED.
(Holes shown in this drawing are for reference only.
Drilling of pilot holes are to be done by fabricator.)

THIS DRAWING WAS CREATED AT NO CHARGE TO ASSIST YOU IN VISUALIZING OUR PROPOSAL. THE DRAWING HEREIN IS THE PROPERTY OF SIGNCOMP. PERMISSION TO COPY OR REVISE THIS DRAWING OR TO USE THIS DRAWING FOR PRODUCTION IS STRICTLY PROHIBITED AND CAN ONLY BE COPIED, REVISED OR USED FOR PRODUCTION WITH THE EXPRESSED WRITTEN PERMISSION OF SIGNCOMP.

DRAWN	Sarah	3/9/2012
Centroid X:	0.000 in	
Centroid Y:	0.000 in	
Principal Moments Ix:	0.000 in ⁴	
Principal Moments Iy:	0.000 in ⁴	
Section Modulus Ix:	0.000 in ³	
Section Modulus Iy:	0.000 in ³	

SignComp		TITLE
		Inner Frame Retainer and 2 Part Outer Frame - Assembly
DWG NO	K2099-1942	REV
SHEET 1 OF 1		

TIP: High bond tape or bonding agents can be used to help secure the hinge to the frame and assist in the installation of the hinge. Be careful not to get the tape on the barrel of the hinge. Doing so may cause the hinge not to open properly.