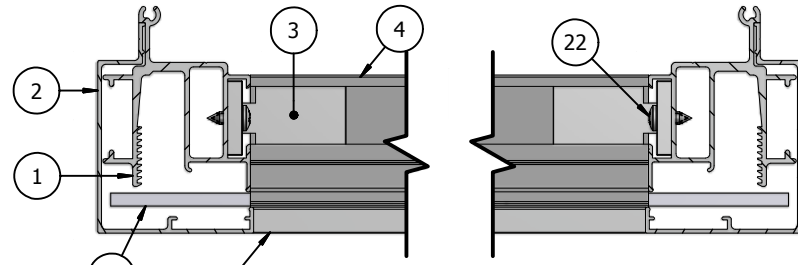


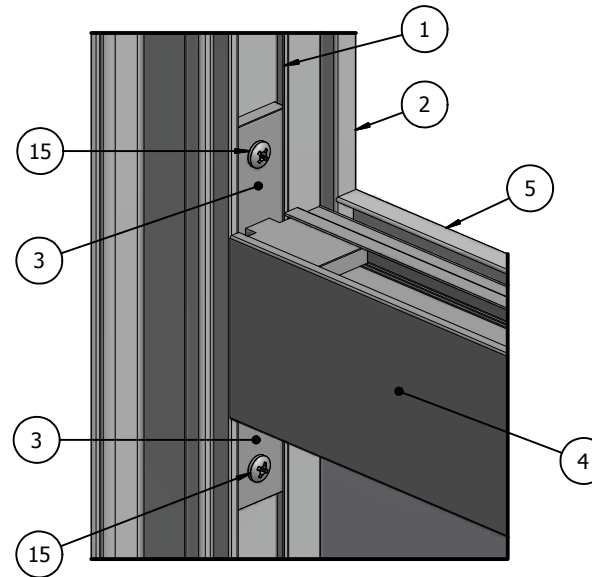
NOTE:
All structural detailing for sign construction is the sole responsibility of the sign contractor. All details shown here should be considered as **DESIGN INTENT ONLY**. The sign fabricator shall provide engineering drawings stamped by a licenced structural engineer.

ITEM	PART #	DESCRIPTION	NOTES
1	2065	Dual Frame	
2	2075	2-1/4" Dual Frame Cover	
3	5300	Divider Corner Angle	
4	2142	Dual Divider	
5	2146	2-1/2" Dual Divider Cover	
6		Flexible Face Material	By Other
7		Rigid Face Material	By Other
21	5170	Dual Divider Cover Screw	Drill 3/8" pilot hole for head of screw to slip through.
22	5218	Divider Angle Screw	Drill 5/32" pilot hole

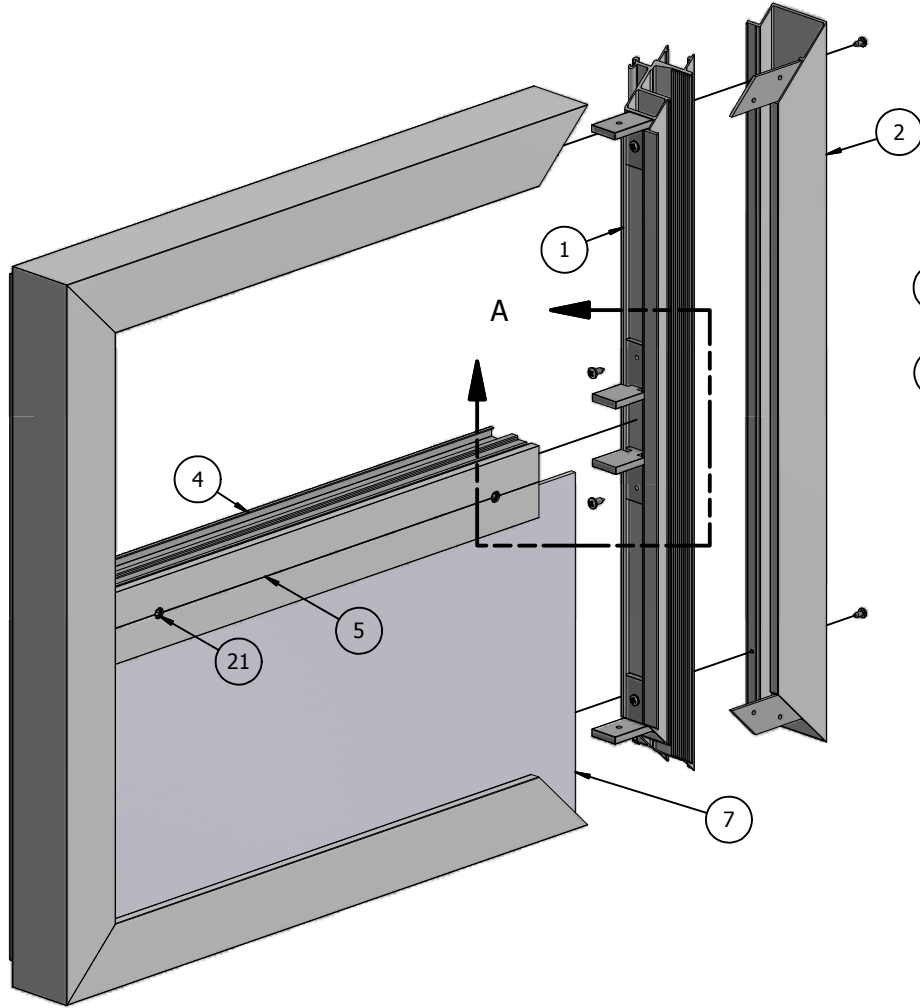
NOTE: PRE-CUT KITS ARE NOT PRE-DRILLED.
(Holes shown in this drawing are for reference only. Drilling of pilot holes are to be done by fabricator.)



SIDE CROSS-SECTION
DIVIDER ANGLE ATTACHMENT



DETAIL A

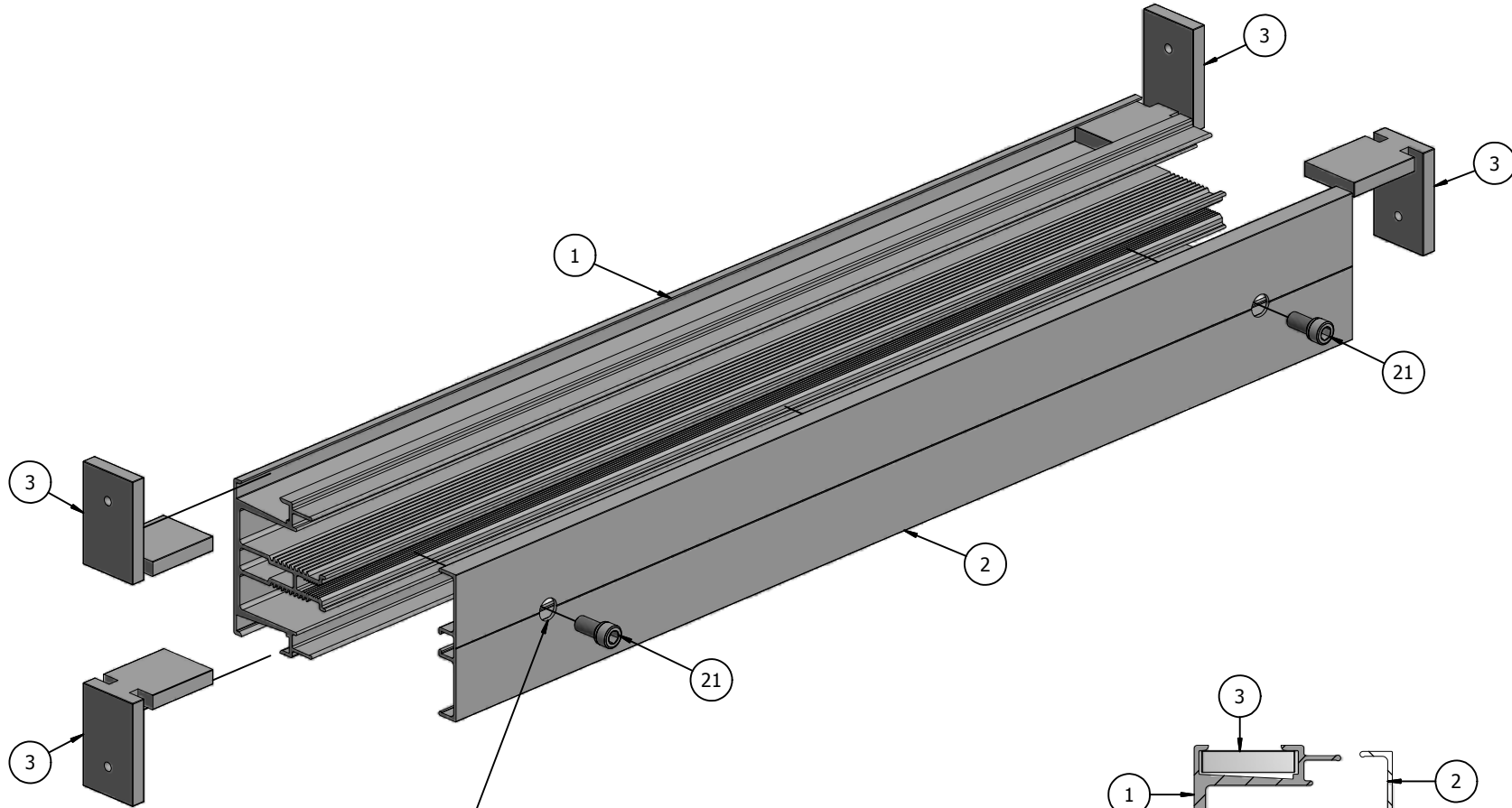


THIS DRAWING WAS CREATED AT NO CHARGE TO ASSIST YOU IN VISUALIZING OUR PROPOSAL. THE DRAWING HEREIN IS THE PROPERTY OF SIGNCOMP. PERMISSION TO COPY OR REVISE THIS DRAWING OR TO USE THIS DRAWING FOR PRODUCTION IS STRICTLY PROHIBITED AND CAN ONLY BE COPIED, REVISED OR USED FOR PRODUCTION WITH THE EXPRESSED WRITTEN PERMISSION OF SIGNCOMP.

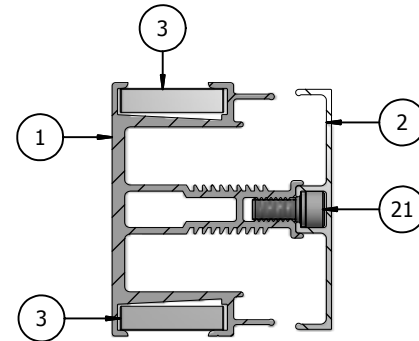
Project Name: **Dual Divider & 2-1/2" Dual Cover - Assembly**
 Sign Company: **K2142/46**
 Date: **10/17/2014**
 Revision: **10/17/2014**
 Drawing By: **SBreihof**
 Sheet: **1 of 1**
 Size: **A**

Sign Comp

ITEM	PART #	DESCRIPTION	NOTES
1	2142	Dual Divider	
2	2146	2-1/2" Dual Divider Cover	
3	5300	Divider Corner Angle	
21	5170	Dual Divider Cover Screw	1/4" - 20 Allen Head - Drill 3/8" oversized hole every 36" o.c.



NOTE: AN OVERSIZED HOLE IS DRILLED FOR THE COVER SCREW TO SLIP THROUGH, DRAWING THE COVER TIGHT TO THE DUAL DIVIDER.



HORIZONTAL SECTION-VIEW THROUGH DIVIDER

THIS DRAWING WAS CREATED AT NO CHARGE TO ASSIST YOU IN VISUALIZING OUR PROPOSAL. THE DRAWING HEREIN IS THE PROPERTY OF SIGNCOMP. PERMISSION TO COPY OR REVISE THIS DRAWING OR TO USE THIS DRAWING FOR PRODUCTION IS STRICTLY PROHIBITED AND CAN ONLY BE COPIED, REVISED OR USED FOR PRODUCTION WITH THE EXPRESSED WRITTEN PERMISSION OF SIGNCOMP.

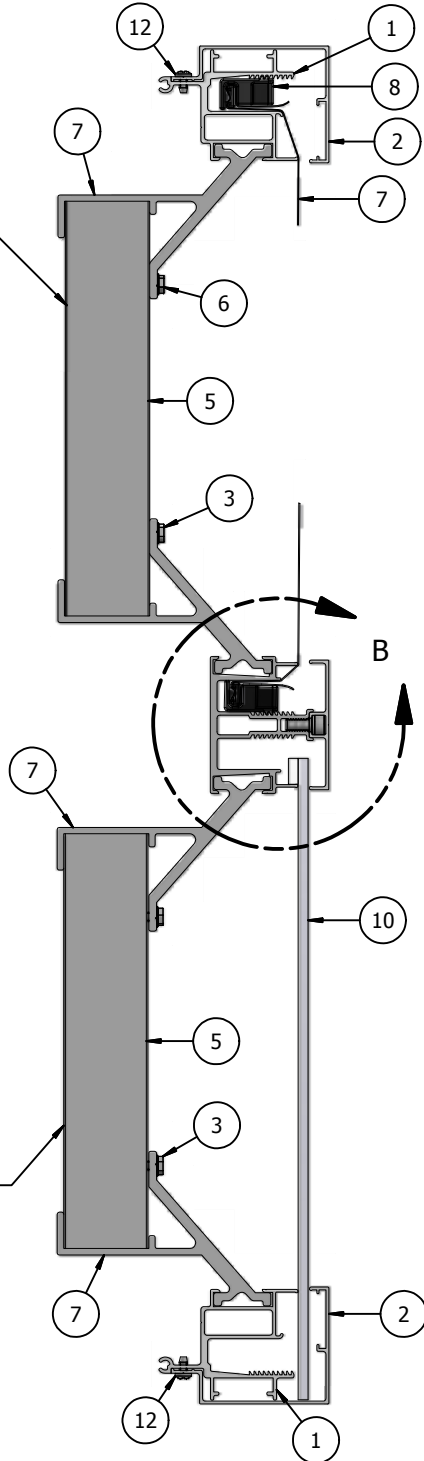
Project Name:	Dual Frm & 2-1/2" Dual Div.	
	Sheet:	1 of 2
Sign Company:	K2065/75 - 2142/46	
Revision:	142/46	
Date:	10/20/2014	
Drawing By:	SBreihof	

SignComp

2

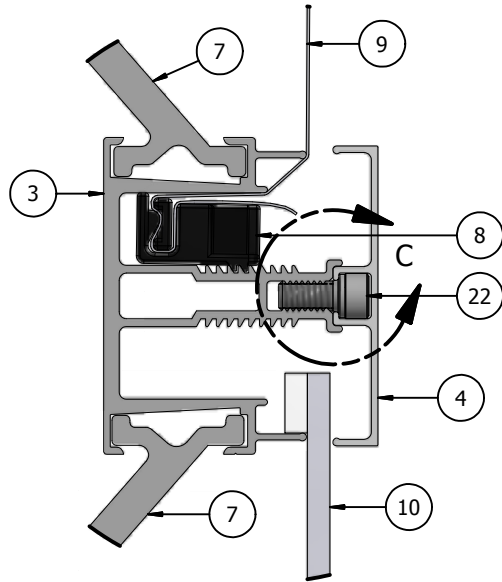
1

NOTE: PLACE A VERTICAL SUPPORT ASSEMBLY APPROXIMATELY EVERY 36" ON CENTER FOR COMPRESSION BRACING APPLICATIONS.

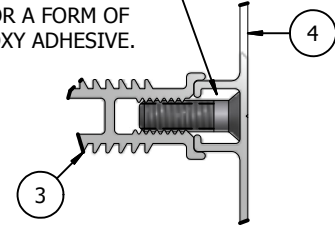


NOTE: PLACE A MINIMUM OF (1) VERTICAL SUPPORT ASSEMBLY IN THE CENTER OF EACH 12' SPAN. AN 18' SPAN WOULD REQUIRE (2) VERTICAL ASSEMBLIES.

NOTE: WHEN USING A COUNTERSINK FASTENER, THIS VOID WOULD NEED TO BE FILLED WITH EITHER A SOLID MATERIAL OR A FORM OF EPOXY ADHESIVE.



DETAIL B



DETAIL C
OPTIONAL FASTENER

NOTE: All structural detailing for sign construction is the sole responsibility of the sign contractor. All details shown here should be considered as **DESIGN INTENT ONLY**. The sign fabricator shall provide engineering drawings stamped by a licenced structural engineer.

ITEM	PART #	DESCRIPTION
1	2065	Dual Frame
2	2075	2-1/4" Dual Frame Cover
3	2142	Dual Divider
4	2146	2-1/2" Dual Divider Cover
5	2175	Frame Support Tube
6		Attachment Fastener - By Other
7	5350	Frame Brace
8	5360	Tension Clip
9		Flex Fabric Face - By Other
10		Lexan Face - By Other
12	5195	Cover Screw - Predrill 1/8" pilot hole
22	5170	Dual Divider Cover Screw - Drill 3/8" oversized hole

THIS DRAWING WAS CREATED AT NO CHARGE TO ASSIST YOU IN VISUALIZING OUR PROPOSAL. THE DRAWING HEREIN IS THE PROPERTY OF SIGNCOMP. PERMISSION TO COPY OR REVISE THIS DRAWING OR TO USE THIS DRAWING FOR PRODUCTION IS STRICTLY PROHIBITED AND CAN ONLY BE COPIED, REVISED OR USED FOR PRODUCTION WITH THE EXPRESSED WRITTEN PERMISSION OF SIGNCOMP.

Project Name: **Dual Frm & 2-1/2" Dual Frm Cover w/ Dual Div.** Size: **A**
 Sign Company: **K2065/75 - 2142/46** Sheet: **2 of 2**
 Date: **10/20/2014** Drawing By: **SBreihof**

SignComp

2

1

