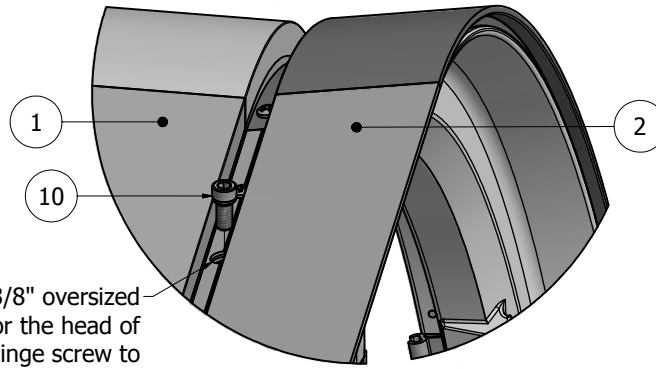


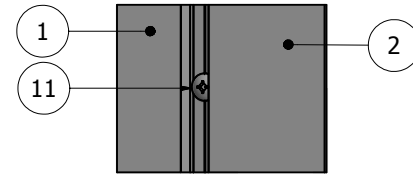
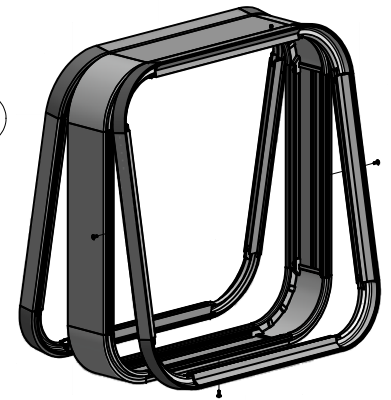
PARTS LIST			
ITEM	PART#	DESCRIPTION	NOTES
1	K2015/4050	Medium Body w/ 9in Radius Corners	Assembly
2	K2085/95/4240	Tension Frame & Bleed Cover w/ 9in Radius Corners & Covers	Assembly
10	5170	Hinge Screw	Drill 3/8" pilot hole
11	5180	Closure Screw	Drill 5/16" pilot hole

Ship To:
Sales Order#

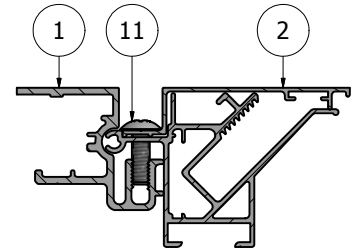
***NOTE:** Drill a 3/8" oversized hole for the head of the hinge screw to slip through.



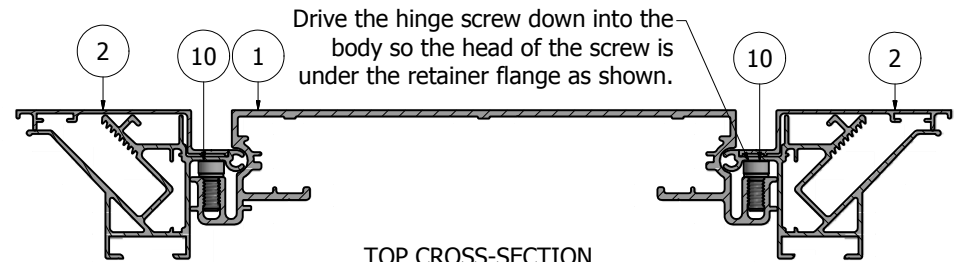
DETAIL A



DETAIL B
FRAME CLOSED

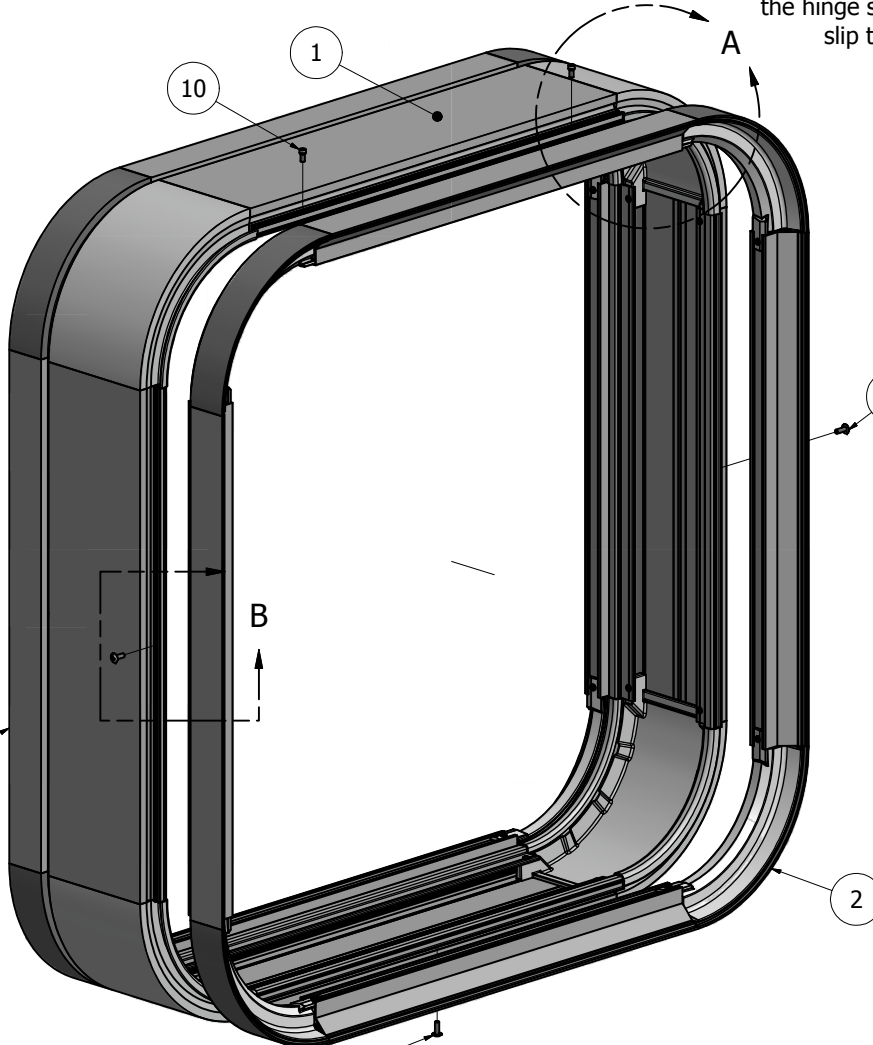


DETAIL B
CROSS-SECTION



TOP CROSS-SECTION

***NOTE: PRE-CUT KITS ARE NOT PRE-DRILLED.**
(Holes shown in this drawing are for reference only. Drilling of pilot holes are to be done by fabricator.)



***NOTE:** IT IS RECOMMENDED THAT THE FRAME BE ASSEMBLED ON THE BODY, THEN RATCHET STRAPPED TO CHECK FOR SQUARE, BEFORE THE FRAME IS WELDED OR MECHANICALLY FASTENED.

THIS DRAWING WAS CREATED AT NO CHARGE TO ASSIST YOU IN VISUALIZING OUR PROPOSAL. THE DRAWING HEREIN IS THE PROPERTY OF SIGNCOMP. PERMISSION TO COPY OR REVISE THIS DRAWING OR TO USE THIS DRAWING FOR PRODUCTION IS STRICTLY PROHIBITED AND CAN ONLY BE COPIED, REVISED OR USED FOR PRODUCTION WITH THE EXPRESSED WRITTEN PERMISSION OF SIGNCOMP.

DRAWING BY:	SBreihof	3/31/2014
Centroid X:	0.000 in	
Centroid Y:	0.000 in	
Principal Moments Ix:	0.000 in ⁴	
Principal Moments Iy:	0.000 in ⁴	
Section Modulus Ix:	0.000 in ³	
Section Modulus Iy:	0.000 in ³	

SignComp

TITLE
Medium Body w/ Tension Frame & Bleed Cover and 9in Radius Corners - Assembly

PART NO
KMB/85/95/4550

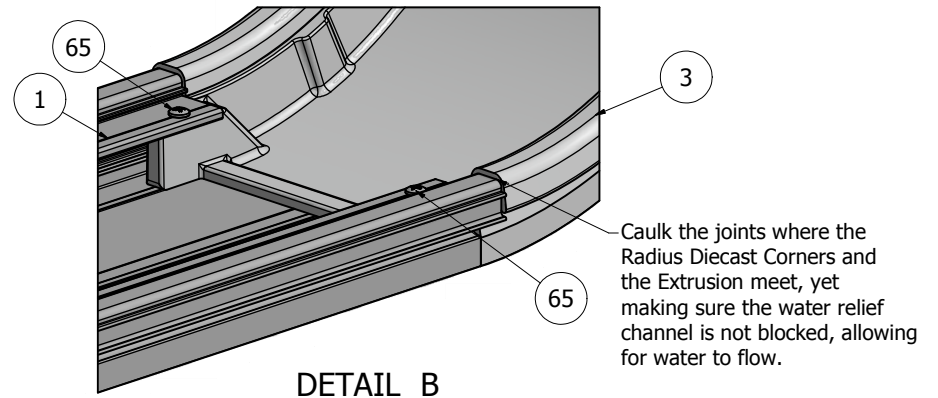
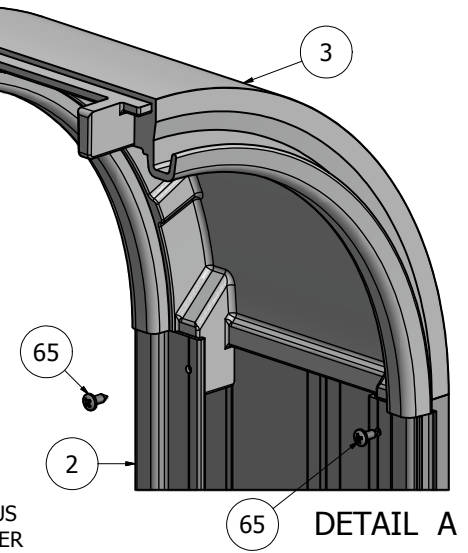
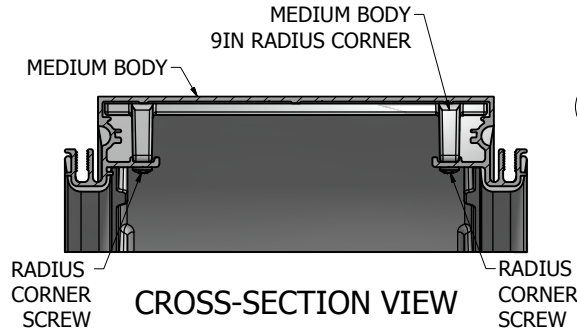
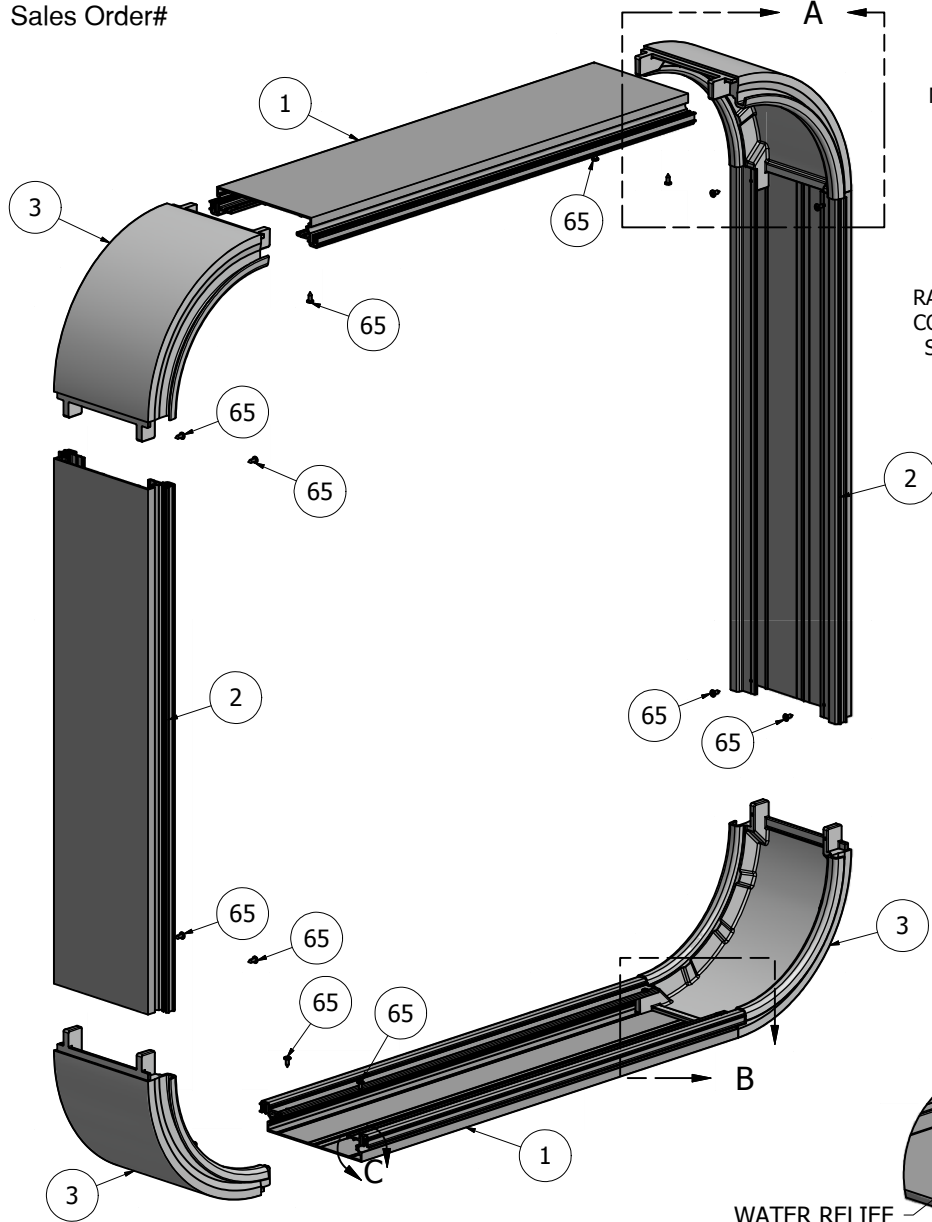
REV

SHEET 1 OF 1

PARTS LIST			
ITEM	PART #	DESCRIPTION	NOTES
1	2015	Medium Body	Top & Bottom
2	2015	Medium Body	Sides
3	4050	Medium Body 9in Radius Corner	
65	5218	Radius Corner Screw	Drill 5/32" pilot hole

***NOTE:** RADIUS CORNERS ARE DESIGNED TO BE WELDED, HOWEVER CAN ALSO BE MECHANICALLY ASSEMBLED.

Ship To:
Sales Order#



NOTE: PRE-CUT KITS ARE NOT PRE-DRILLED.
(Holes shown in this drawing are for reference only. Drilling of pilot holes are to be done by fabricator.)

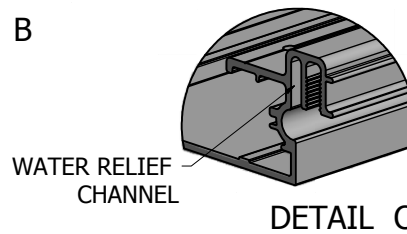
THIS DRAWING WAS CREATED AT NO CHARGE TO ASSIST YOU IN VISUALIZING OUR PROPOSAL. THE DRAWING HEREIN IS THE PROPERTY OF SIGNCOMP. PERMISSION TO COPY OR REVISE THIS DRAWING OR TO USE THIS DRAWING FOR PRODUCTION IS STRICTLY PROHIBITED AND CAN ONLY BE COPIED, REVISED OR USED FOR PRODUCTION WITH THE EXPRESSED WRITTEN PERMISSION OF SIGNCOMP.

DRAWING BY:	SBreihof	6/26/2013
Centroid X:	0.000 in	
Centroid Y:	0.000 in	
Principal Moments Ix:	0.000 in ⁴	
Principal Moments Iy:	0.000 in ⁴	
Section Modulus Ix:	0.000 in ³	
Section Modulus Iy:	0.000 in ³	

SignComp

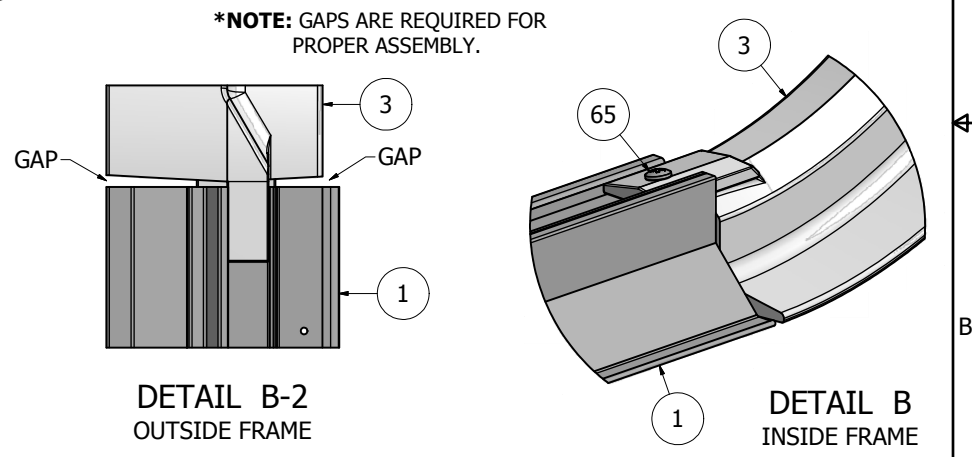
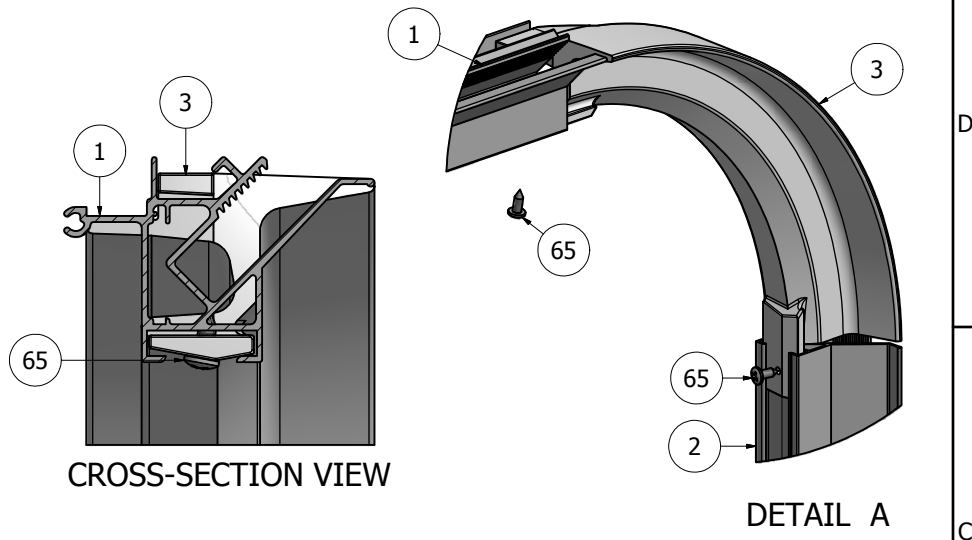
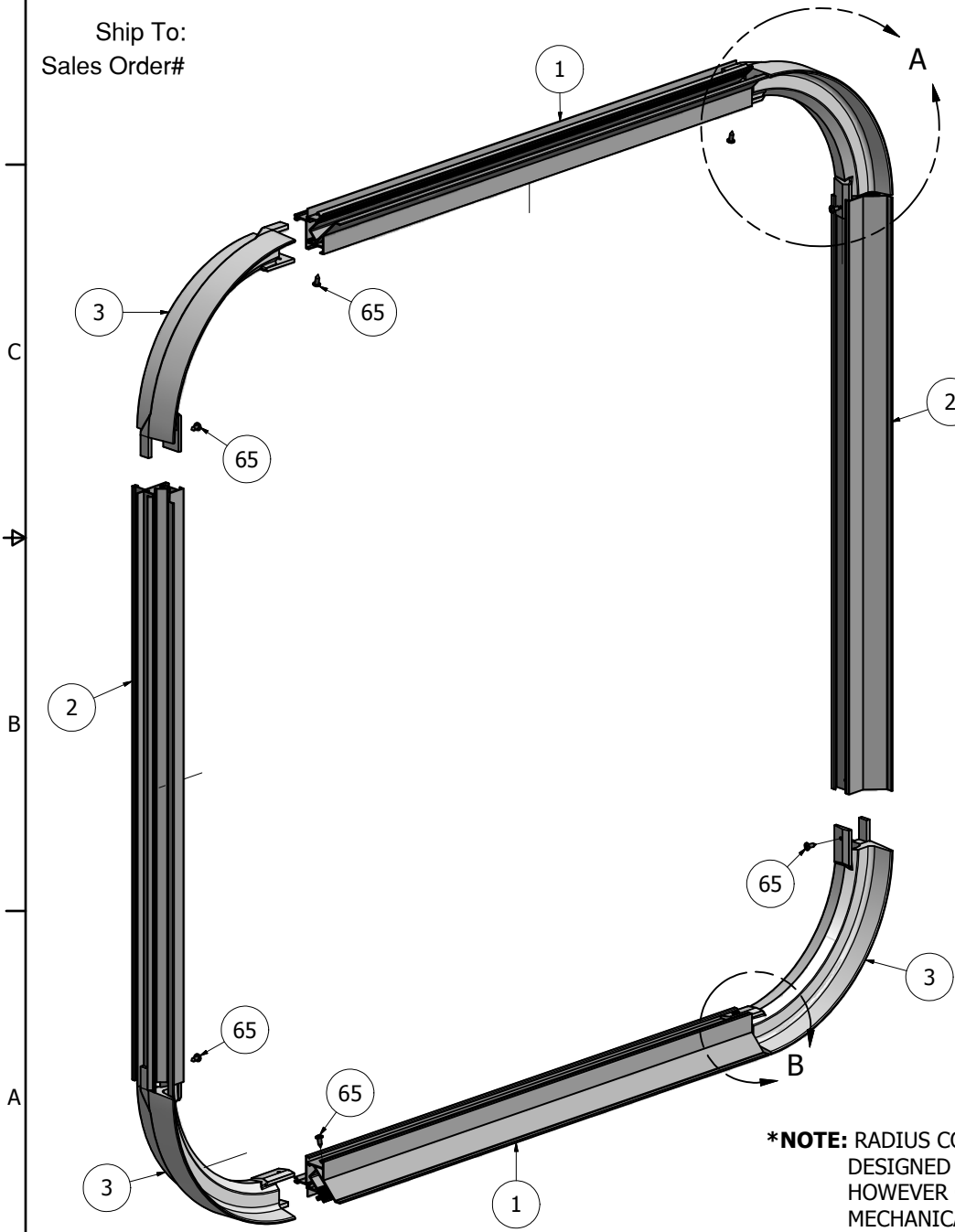
Medium Body w/ 9in Radius Corners - Assembly

PART NO	KMB-4050	REV
---------	-----------------	-----



PARTS LIST			
ITEM	PART #	DESCRIPTION	NOTES
1	2085	Tension Frame	Top & Bottom
2	2085	Tension Frame	Sides
3	4240	9in Tension Frame Radius Corner	All 4 Corners
65	5218	Radius Corner Screw	Drill 5/32" pilot hole

Ship To:
Sales Order#



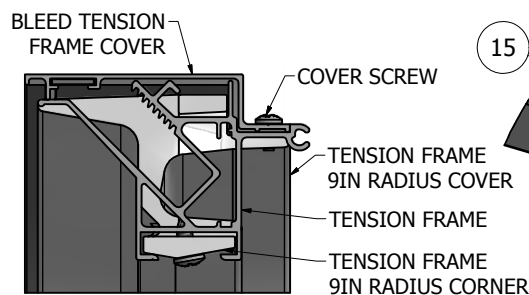
***NOTE:** GAPS ARE REQUIRED FOR PROPER ASSEMBLY.

***NOTE: PRE-CUT KITS ARE NOT PRE-DRILLED.**
(Holes shown in this drawing are for reference only.
Drilling of pilot holes are to be done by fabricator.)

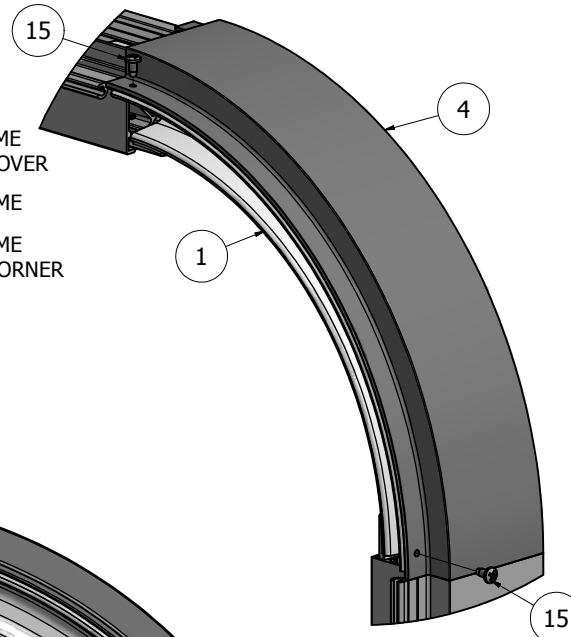
***NOTE:** RADIUS CORNERS ARE DESIGNED TO BE WELDED, HOWEVER CAN ALSO BE MECHANICALLY ASSEMBLED.

DRAWING BY: SBreihof 6/25/2013		SignComp
Centroid X: 0.000 in	Centroid Y: 0.000 in	
Principal Moments Ix: 0.000 in ⁴	Principal Moments Iy: 0.000 in ⁴	TITLE Tension Frame with 9in Radius Corners - Assembly
Section Modulus Ix: 0.000 in ³	Section Modulus Iy: 0.000 in ³	PART NO K2085-4240
		REV
		SHEET 1 OF 1

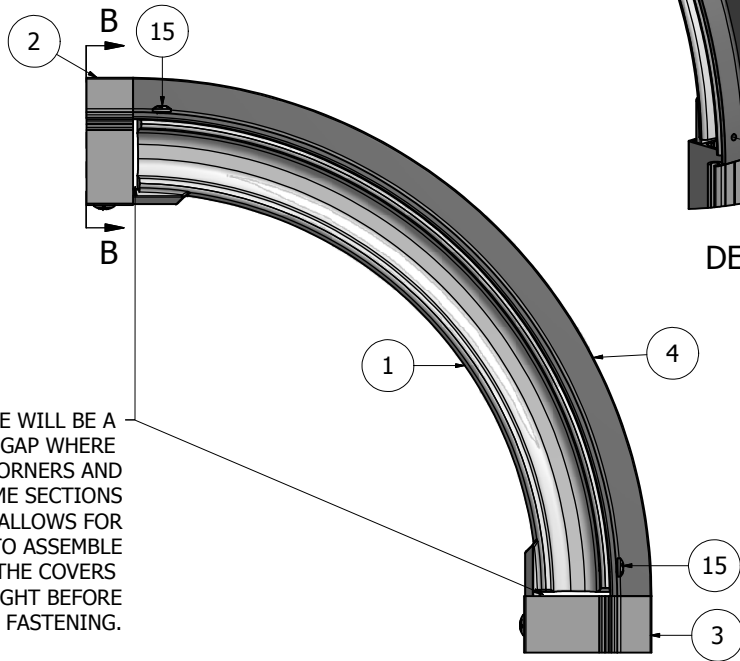
PARTS LIST			
ITEM	PART #	DESCRIPTION	NOTES
1	K2085/4240	Tension Frame w/ 9in Radius Corners	Assembly
2	2095	Bleed Tension Frame Cover	Top & Bottom
3	2095	Bleed Tension Frame Cover	Sides
4	4260P	9in Bleed Tension Frame Radius Cover	
12	5195	Cover Screw	Pre-drill 3/32" hole
15	5195	Radius Corner Cover Screw	Pre-drill 3/32" hole



CROSS-SECTION VIEW

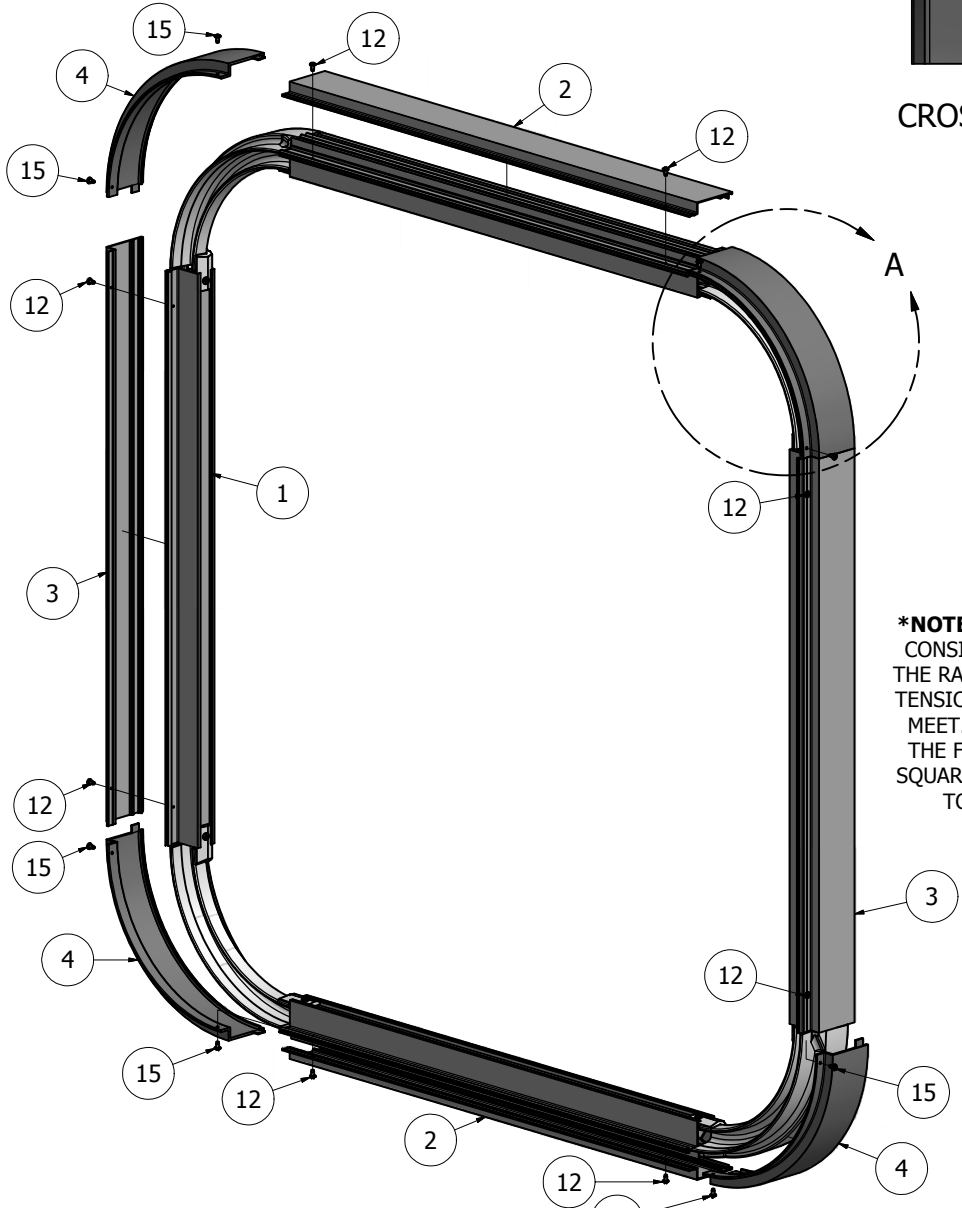


DETAIL A



DETAIL A-2
BACK VIEW

***NOTE:** THERE WILL BE A CONSISTANT GAP WHERE THE RADIUS CORNERS AND TENSION FRAME SECTIONS MEET. THIS ALLOWS FOR THE FRAME TO ASSEMBLE SQUARE AND THE COVERS TO FIT TIGHT BEFORE FASTENING.



NOTE: PRE-CUT KITS ARE NOT PRE-DRILLED.
(Holes shown in this drawing are for reference only. Drilling of pilot holes are to be done by fabricator.)

Ship To:
Sales Order#

THIS DRAWING WAS CREATED AT NO CHARGE TO ASSIST YOU IN VISUALIZING OUR PROPOSAL. THE DRAWING HEREIN IS THE PROPERTY OF SIGNCOMP. PERMISSION TO COPY OR REVISE THIS DRAWING OR TO USE THIS DRAWING FOR PRODUCTION IS STRICTLY PROHIBITED AND CAN ONLY BE COPIED, REVISED OR USED FOR PRODUCTION WITH THE EXPRESSED WRITTEN PERMISSION OF SIGNCOMP.

DRAWING BY:	SBreihof	6/25/2013
Centroid X:	0.000 in	
Centroid Y:	0.000 in	
Principal Moments Ix:	0.000 in ⁴	
Principal Moments Iy:	0.000 in ⁴	
Section Modulus Ix:	0.000 in ³	
Section Modulus Iy:	0.000 in ³	

SignComp		TITLE
		Tension Frame and Bleed Tension Frame Cover w/ 9in Bleed Radius Corner Cover - Assembly
PART NO	K2085-95-4260P	REV
		SHEET 1 OF 1