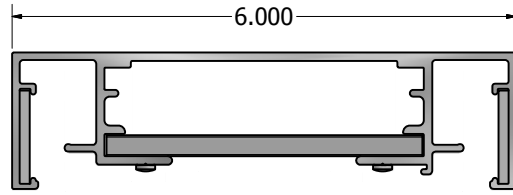
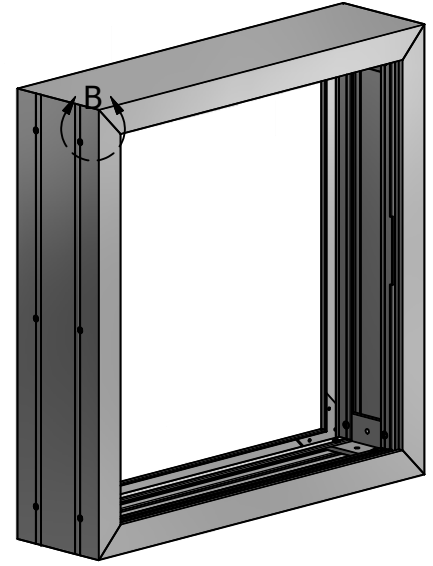


PARTS LIST			
ITEM	PART#	DESCRIPTION	NOTES
1	1931	1Part 6" Double Face Body	Top, Bottom & One End
2	1936	2Part 6" Double Face Body	One End
5	1954	2Part 6" Double Face Retainer	One End
4	5210	Corner Key	
73	5168	2Part Retainer Screw	See Detail B

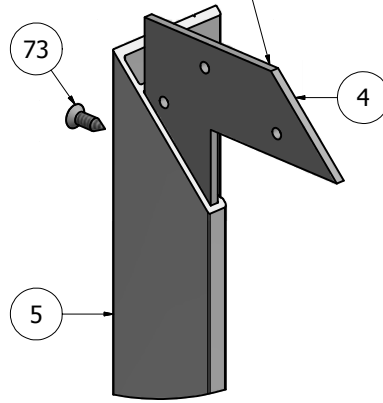
Ship To:
Sales Order#



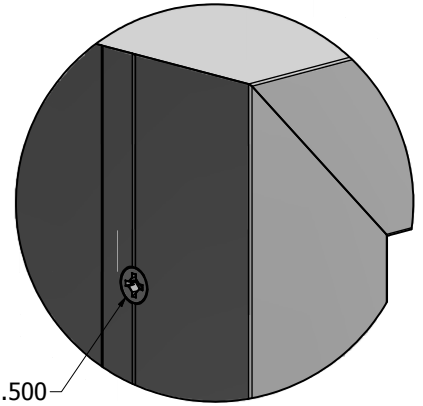
HORIZONTAL CROSS-SECTION



The corner keys float in the extrusion to help align the mitres and provide additional strength.



DETAIL A



DETAIL B

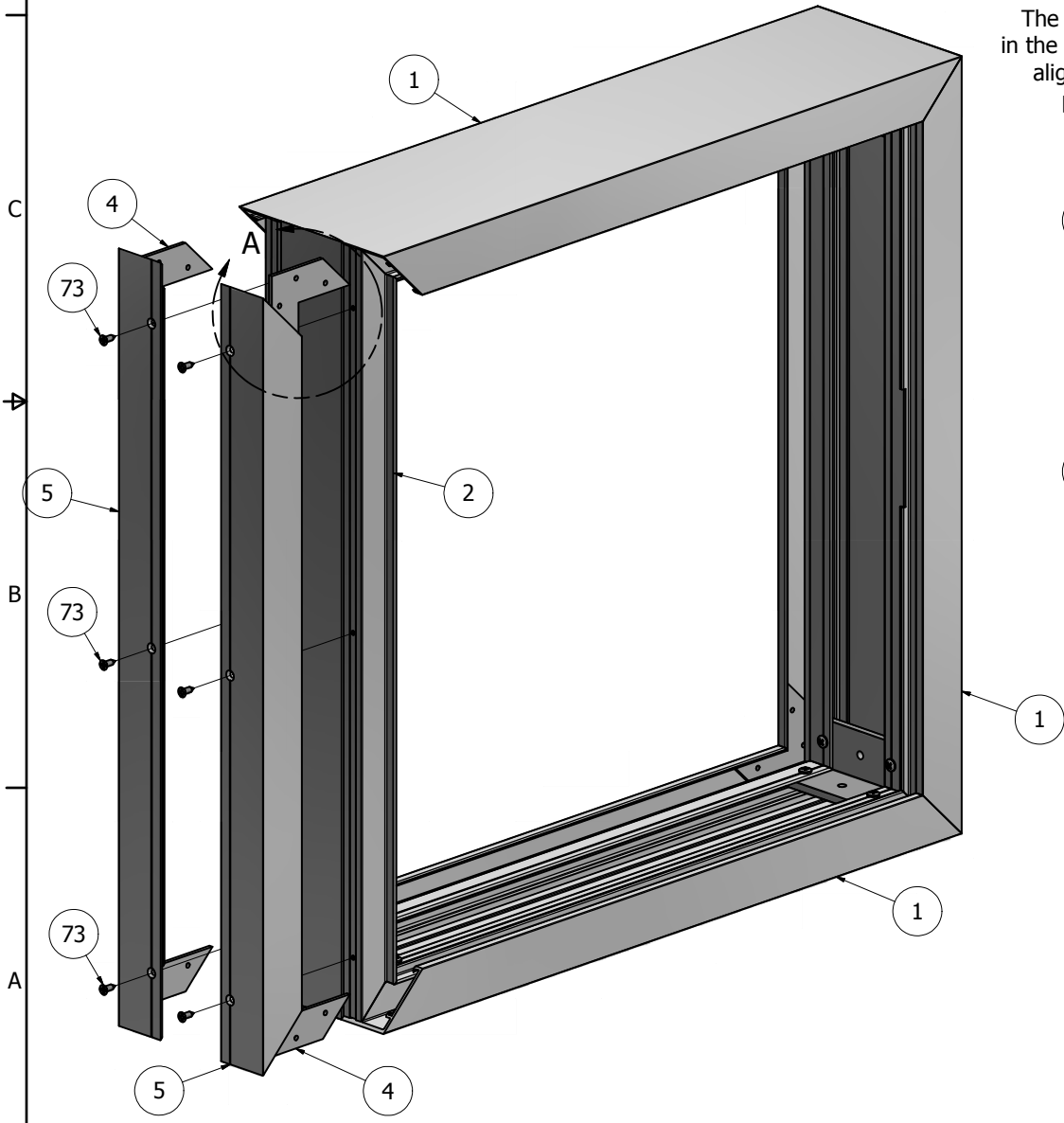
NOTE: PRE-CUT KITS ARE NOT PRE-DRILLED.

(Holes shown in this drawing are for reference only. Drilling of pilot holes are to be done by fabricator.)

THIS DRAWING WAS CREATED AT NO CHARGE TO ASSIST YOU IN VISUALIZING OUR PROPOSAL. THE DRAWING HEREIN IS THE PROPERTY OF SIGNCOMP. PERMISSION TO COPY OR REVISE THIS DRAWING OR TO USE THIS DRAWING FOR PRODUCTION IS STRICTLY PROHIBITED AND CAN ONLY BE COPIED, REVISED OR USED FOR PRODUCTION WITH THE EXPRESSED WRITTEN PERMISSION OF SIGNCOMP.

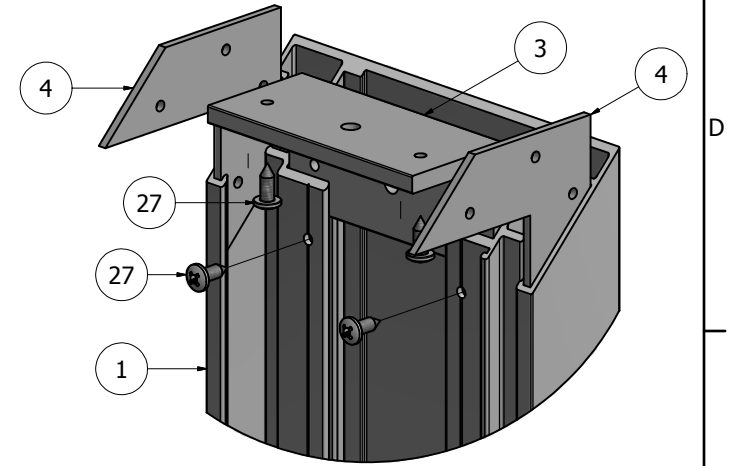
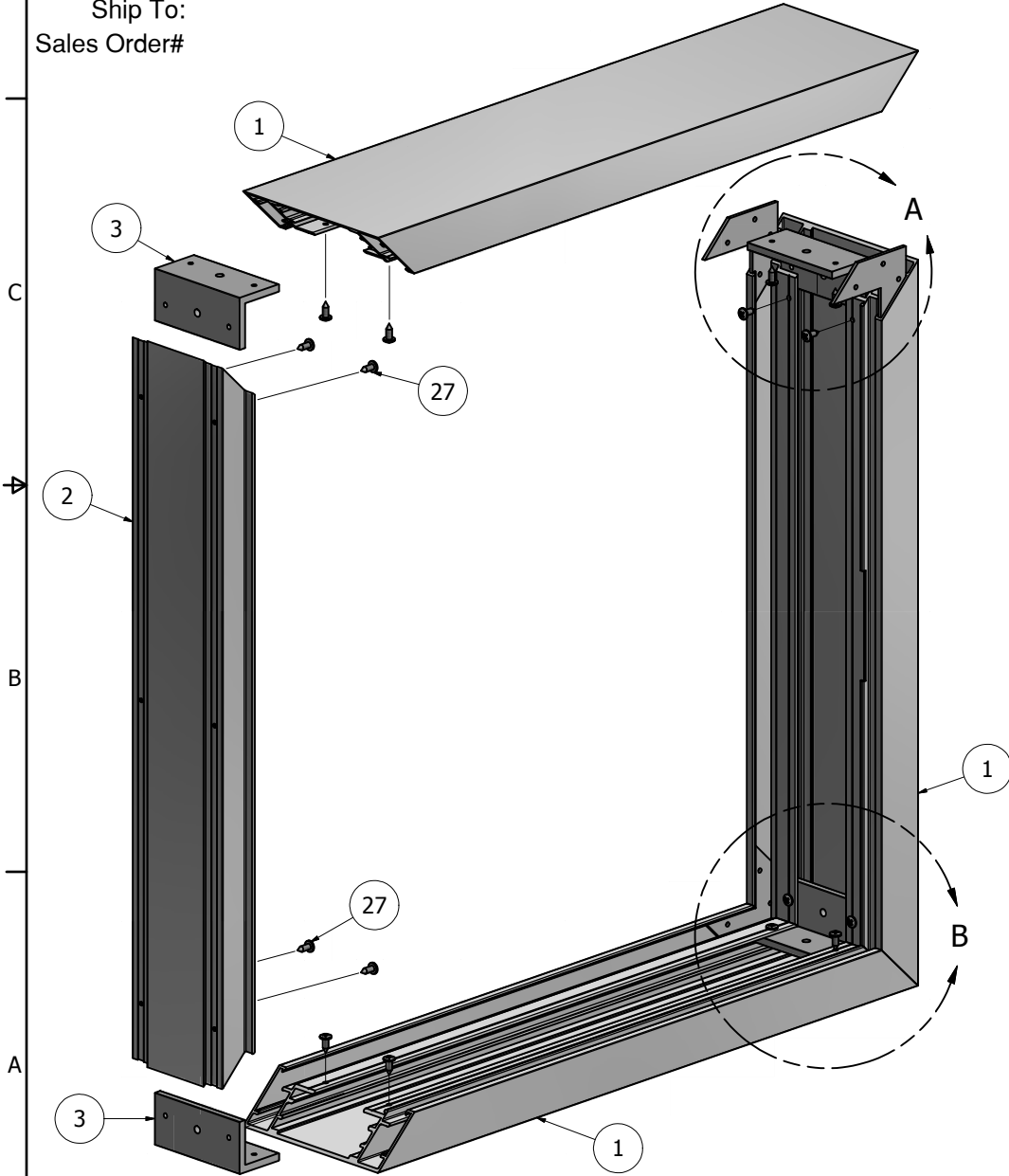
DRAWN	SBreihof	11/29/2012
Centroid X:	0.000 in	
Centroid Y:	0.000 in	
Principal Moments Ix:	0.000 in ⁴	
Principal Moments Iy:	0.000 in ⁴	
Section Modulus Ix:	0.000 in ³	
Section Modulus Iy:	0.000 in ³	

SignComp		TITLE
		1Part 2Part 6in Double Face - Assembly
DWG NO	K1931-36-54	REV
SHEET 1 OF 1		

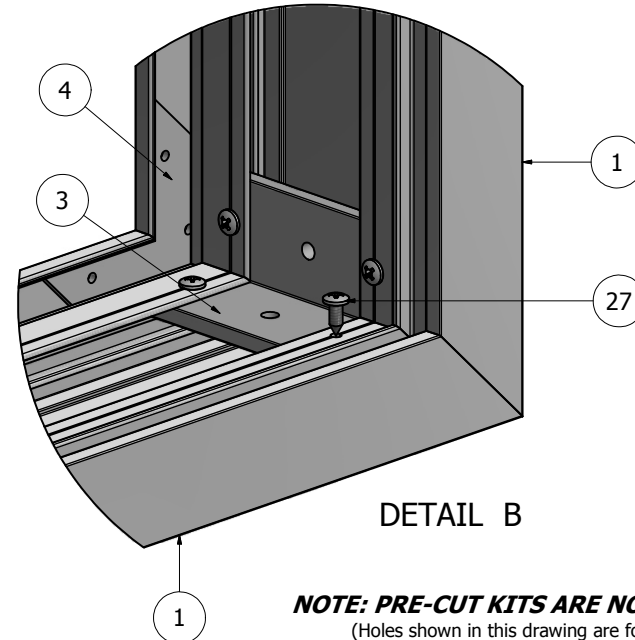


PARTS LIST			
ITEM	PART#	DESCRIPTION	NOTES
1	1931	1Part 6" Double Face Body	Top, Bottom & One End
2	1936	2Part 6" Double Face Body	One End
3	5985	1Part 2Part 6" Double Face Body Corner Angle	
4	5210	Corner Key	
27	5218	Corner Angle Screw	Drill 5/32" pilot hole

Ship To:
Sales Order#



DETAIL A



DETAIL B

NOTE: PRE-CUT KITS ARE NOT PRE-DRILLED.

(Holes shown in this drawing are for reference only.
Drilling of pilot holes are to be done by fabricator.)

THIS DRAWING WAS CREATED AT NO CHARGE TO ASSIST YOU IN VISUALIZING OUR PROPOSAL. THE DRAWING HEREIN IS THE PROPERTY OF SIGNCOMP. PERMISSION TO COPY OR REVISE THIS DRAWING OR TO USE THIS DRAWING FOR PRODUCTION IS STRICTLY PROHIBITED AND CAN ONLY BE COPIED, REVISED OR USED FOR PRODUCTION WITH THE EXPRESSED WRITTEN PERMISSION OF SIGNCOMP.

DRAWN	SBreihof	11/29/2012	SignComp
Centroid X:	0.000 in	TITLE	
Centroid Y:	0.000 in	1Part 2Part 6" Double Face Body - Assembly	
Principal Moments Ix:	0.000 in ⁴	DWG NO	REV
Principal Moments Iy:	0.000 in ⁴	K1931-36	
Section Modulus Ix:	0.000 in ³	SHEET 1 OF 1	
Section Modulus Iy:	0.000 in ³		