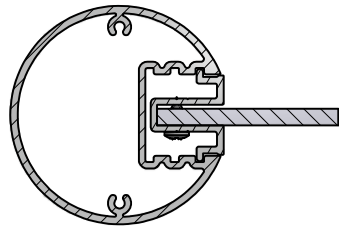


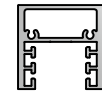
PARTS LIST			
ITEM	PART #	DESCRIPTION	NOTES
1		Architectural 2, 3 or 4 Post	Assembly
2	1202	Series 2/3/4 1/4" Panel Adaptor	Assembly
3		Series 2, 3 or 4 Post Cap - Zero Reveal	
41	5040	Post Cap Screw	#10 x 1/2" sq/phillips countersink



CROSS-SECTION VIEW

POST OPTIONS

Series 2

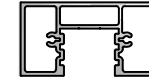


Part#1100

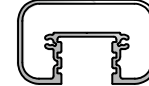
Series 3



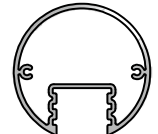
Part# 1210



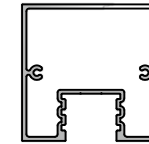
Part# 1220



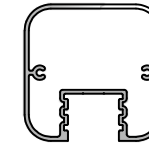
Part# 1230



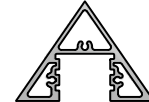
Part# 1237



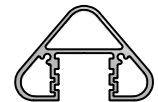
Part# 1233



Part# 1235

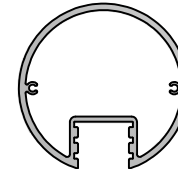


Part# 1240

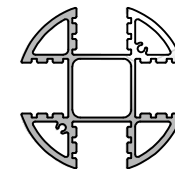


Part# 1250

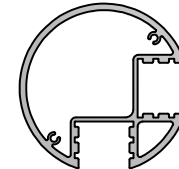
Series 4



Part# 1337



Part# 1338



Part# 1339

NOTE: PRE-CUT KITS ARE NOT PRE-DRILLED.

(Holes shown in this drawing are for reference only. Drilling of pilot holes are to be done by fabricator.)

THIS DRAWING WAS CREATED AT NO CHARGE TO ASSIST YOU IN VISUALIZING OUR PROPOSAL. THE DRAWING HEREIN IS THE PROPERTY OF SIGNCOMP. PERMISSION TO COPY OR REVISE THIS DRAWING OR TO USE THIS DRAWING FOR PRODUCTION IS STRICTLY PROHIBITED AND CAN ONLY BE COPIED, REVISED OR USED FOR PRODUCTION WITH THE EXPRESSED WRITTEN PERMISSION OF SIGNCOMP.

DRAWING BY:	SBreihof	1/14/2014	SignComp
Centroid X:	0.000 in		
Centroid Y:	0.000 in		TITLE
Principal Moments Ix:	0.000 in ⁴		Series 2/3/4 1/4" Panel Adaptor - Post Assembly
Principal Moments Iy:	0.000 in ⁴		PART NO
Section Modulus Ix:	0.000 in ³		K1202 - POST
Section Modulus Iy:	0.000 in ³		REV

D

C

B

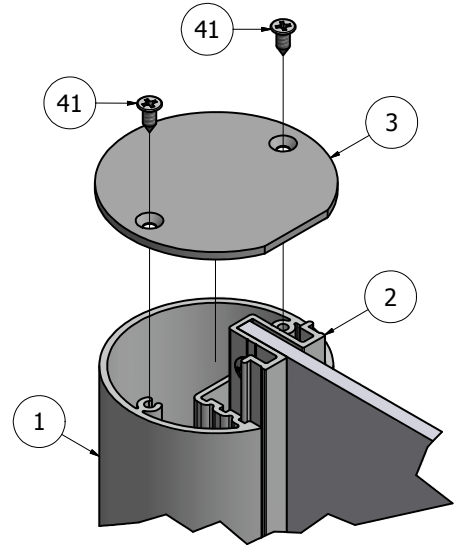
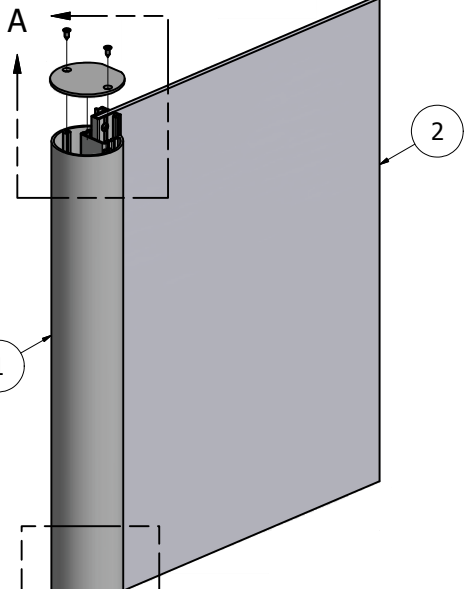
A

D

C

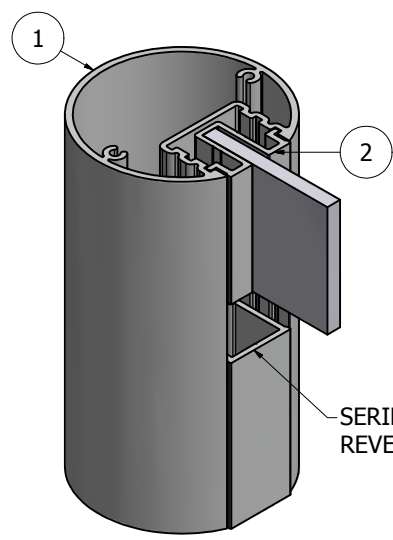
B

A

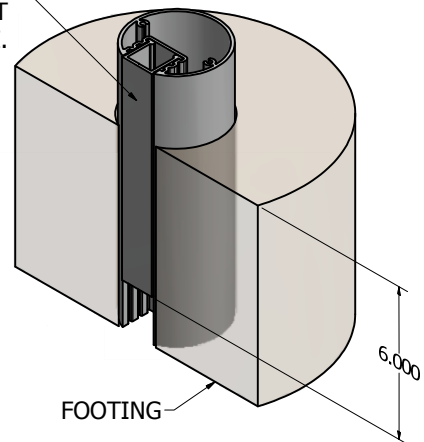


DETAIL A

SERIES 2/3/4 REVEAL/POST FILLER IS CUT TO FIT 6" BELOW THE GRADE.



DETAIL B



FOOTING

SERIES 2/3/4 REVEAL/POST FILLER

Ship To:
Sales Order#

4

1

3

4

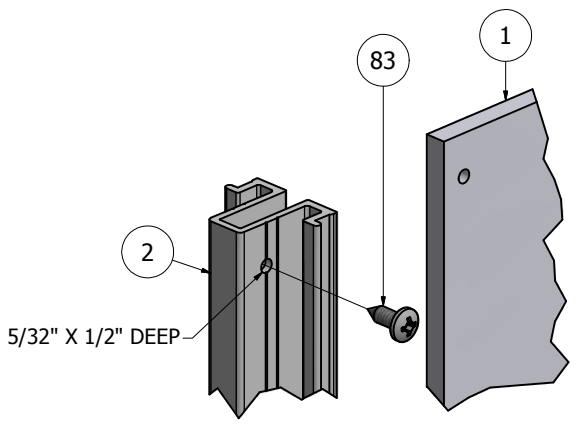
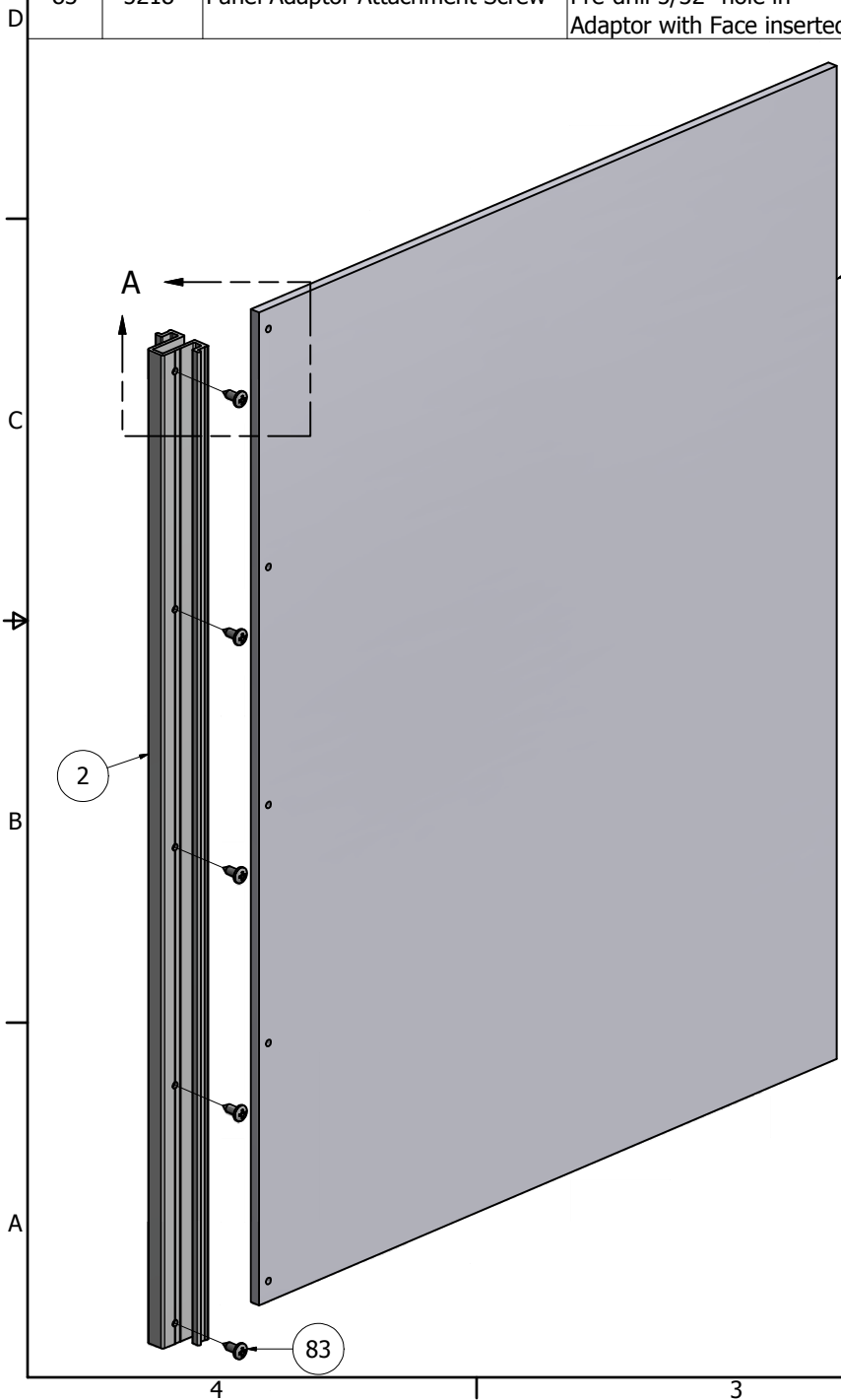
2

1

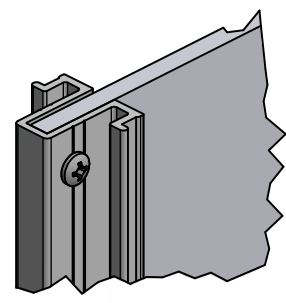
1

PARTS LIST			
ITEM	PART#	DESCRIPTION	NOTES
1		1/4" Face Material	By Other
2	1202	Series 2/3/4 1/4" Panel Adaptor	
83	5218	Panel Adaptor Attachment Screw	Pre-drill 5/32" hole in Adaptor with Face inserted

Ship To:
Sales Order#

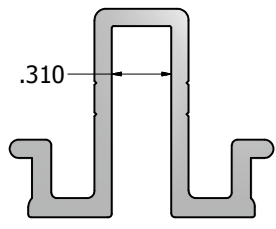


DETAIL A
UNASSEMBLED



DETAIL A
ASSEMBLED

NOTE: PRE-CUT KITS ARE NOT PRE-DRILLED.
(Holes shown in this drawing are for reference only.
Drilling of pilot holes are to be done by fabricator.)



PROFILE VIEW
SCALE 2:1

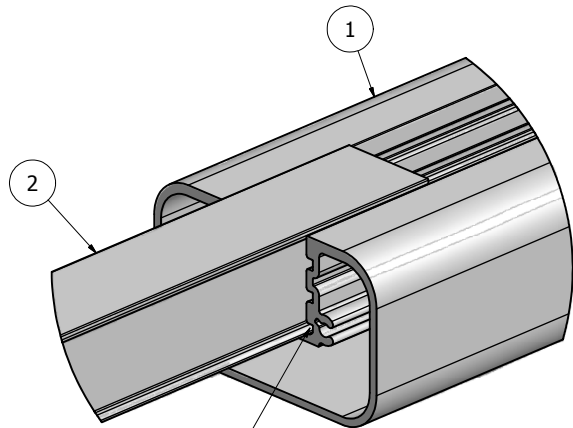
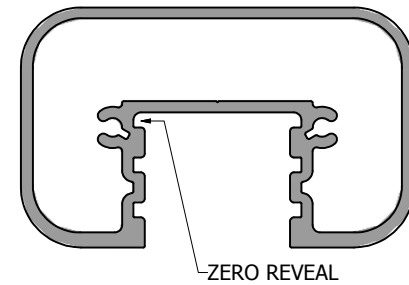
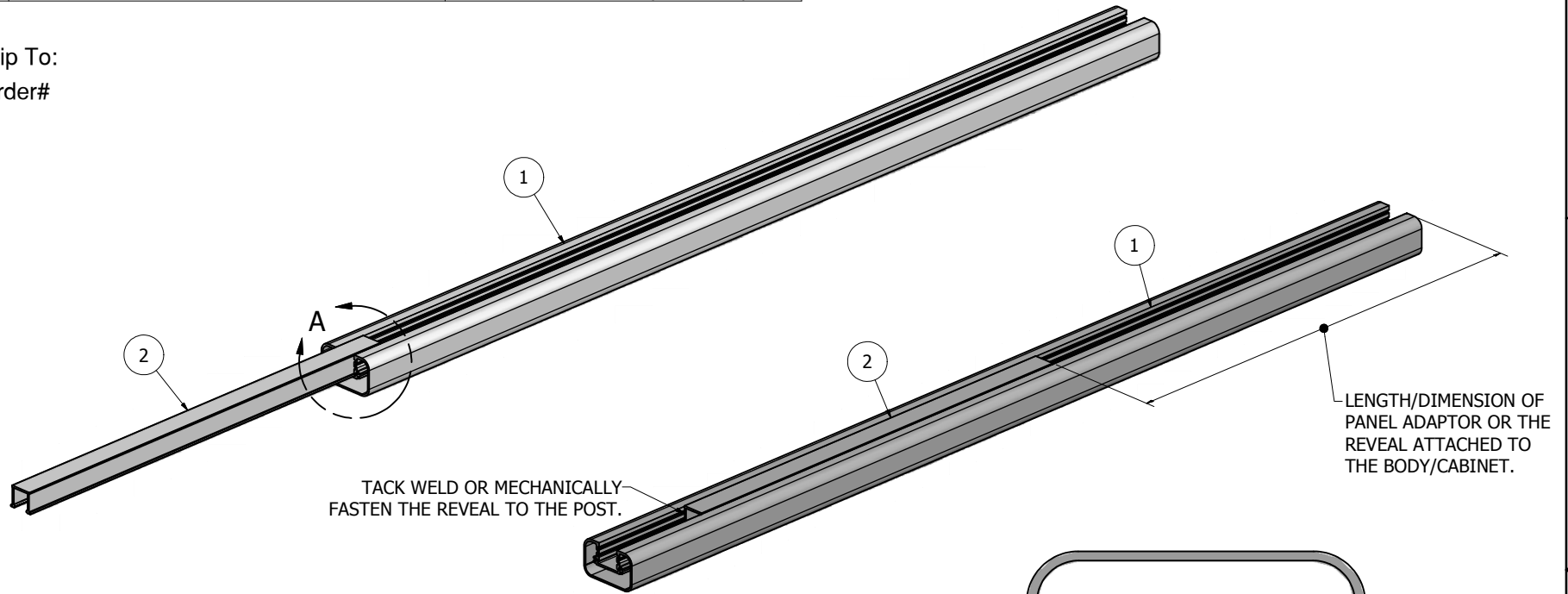
THIS DRAWING WAS CREATED AT NO CHARGE TO ASSIST YOU IN VISUALIZING OUR PROPOSAL. THE DRAWING HEREIN IS THE PROPERTY OF SIGNCOMP. PERMISSION TO COPY OR REVISE THIS DRAWING OR TO USE THIS DRAWING FOR PRODUCTION IS STRICTLY PROHIBITED AND CAN ONLY BE COPIED, REVISED OR USED FOR PRODUCTION WITH THE EXPRESSED WRITTEN PERMISSION OF SIGNCOMP.

DRAWING BY:	SBreihof	1/15/2014
Centroid X:	0.000 in	
Centroid Y:	0.000 in	
Principal Moments Ix:	0.000 in ⁴	
Principal Moments Iy:	0.000 in ⁴	
Section Modulus Ix:	0.000 in ³	
Section Modulus Iy:	0.000 in ³	

SignComp		TITLE
		Series 2/3/4 1/4" Panel Adaptor - Assembly
PART NO	1202 - FACE	REV
SHEET 1 OF 1		

Parts List			
ITEM	PART #	DESCRIPTION	NOTES
1	1230	Series 3, 3-1/4" Rectangular Post with Radius Edges	
2	1200	Series 2/3 Reveal	Tack weld or mechanically fasten to post.

Ship To:
Sales Order#



INSERT THE REVEAL/FILLER INTO THE ZERO REVEAL POSITION, THEN SLIDE IT INTO THE POST.

NOTE: PRE-CUT KITS ARE NOT PRE-DRILLED.
(Holes shown in this drawing are for reference only. Drilling of pilot holes are to be done by fabricator.)

THIS DRAWING WAS CREATED AT NO CHARGE TO ASSIST YOU IN VISUALIZING OUR PROPOSAL. THE DRAWING HEREIN IS THE PROPERTY OF SIGNCOMP. PERMISSION TO COPY OR REVISE THIS DRAWING OR TO USE THIS DRAWING FOR PRODUCTION IS STRICTLY PROHIBITED AND CAN ONLY BE COPIED, REVISED OR USED FOR PRODUCTION WITH THE EXPRESSED WRITTEN PERMISSION OF SIGNCOMP.

DRAWN	4/5/2010	SignComp	
CHECKED			
QA		TITLE	
MFG		Series 3, 3-1/4" Rectangular Post with Radius Edges - Series 2/3 Reveal - Assembly	
APPROVED		SIZE	DWG NO
		C	1230-00
		SCALE	SHEET 1 OF 1