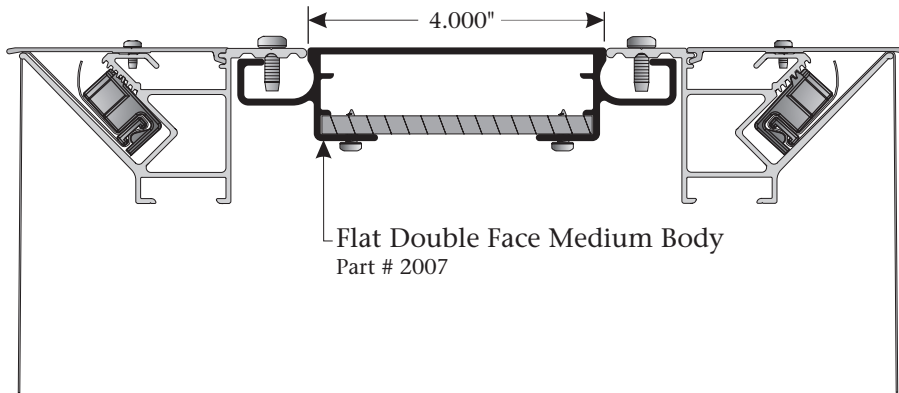




# NEW PRODUCT UPDATE: Flat Double Face Medium Body

June 2013

Part Number	Part	Length	Finish
2007	Flat Double Face Medium Body	24'-6"	Mill



## Features & Benefits

- Delivers a flat, smooth cabinet surface.
- Simple structural hinge for any size flex face, eliminating the need for a piano hinge.
- Frame Brace and Frame Support Tube assemblies available to reinforce tension and compression loads.
- Retainers for rigid faces available. (Part# 2204)

