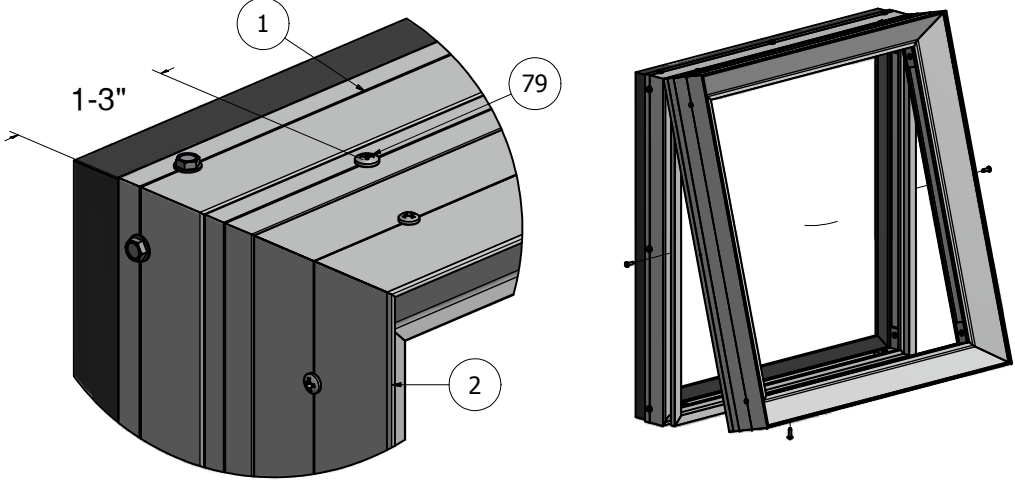
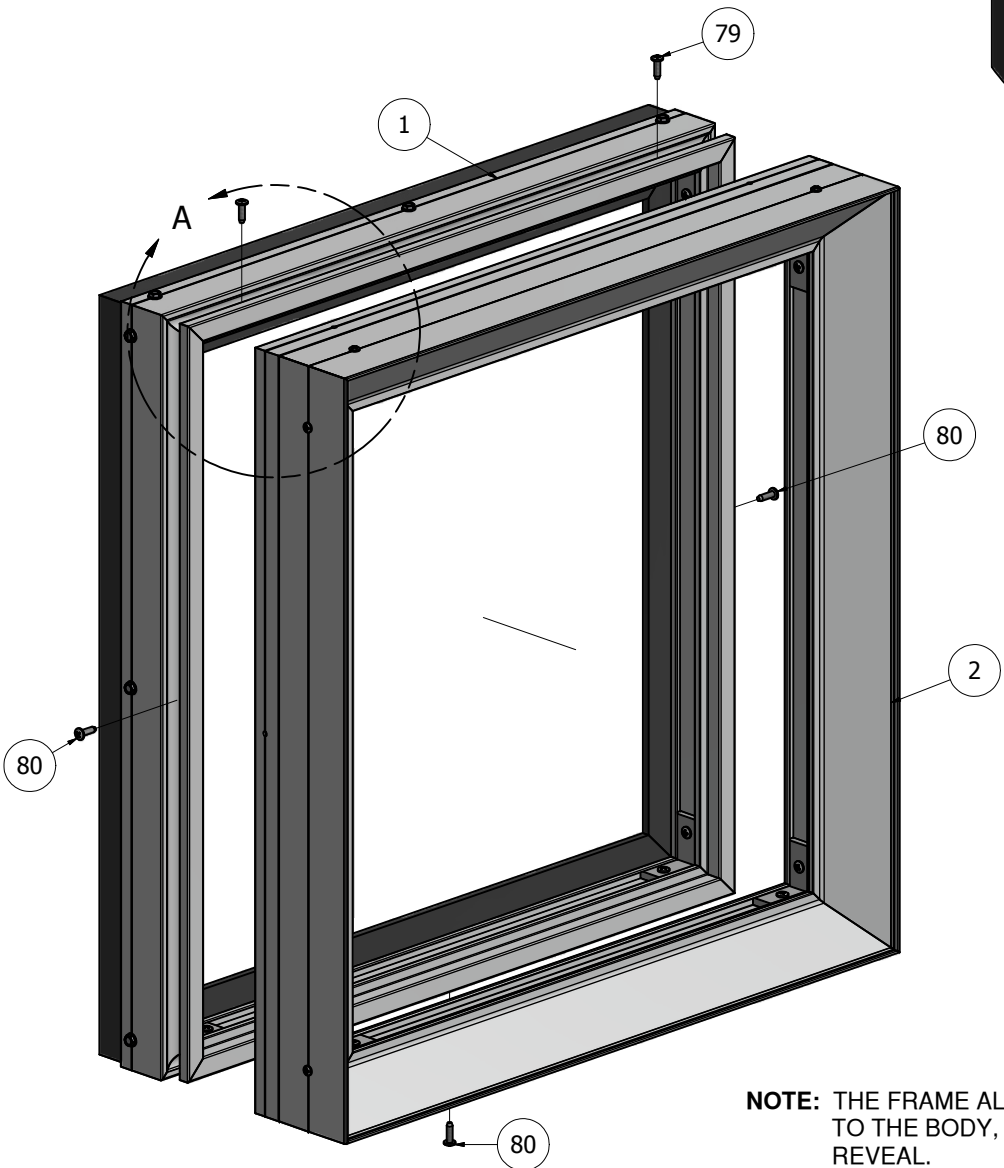


PARTS LIST			
ITEM	PART #	DESCRIPTION	NOTES
1	K2041	Flat Retro Body	Assembly
2	K2104-2121	Flat Bleed Retro Frame w/ Bleed Cover	Assembly
79	5175	Hinge Screw - #10 x 5/8" Pan Head	Pre-drill 5/32" pilot hole every 36" o/c
80	5175	Closure Screw - #10 x 5/8" Pan Head	Pre-drill 5/32" pilot hole every 48" o/c

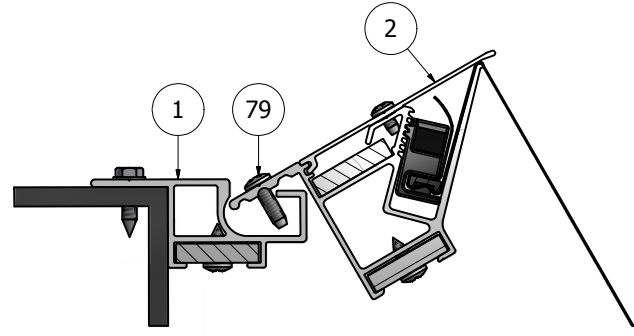
Ship To:
Sales Order#



DETAIL A
FRAME CLOSED



NOTE: THE FRAME ALIGNS TIGHT TO THE BODY, SHOWING NO REVEAL.



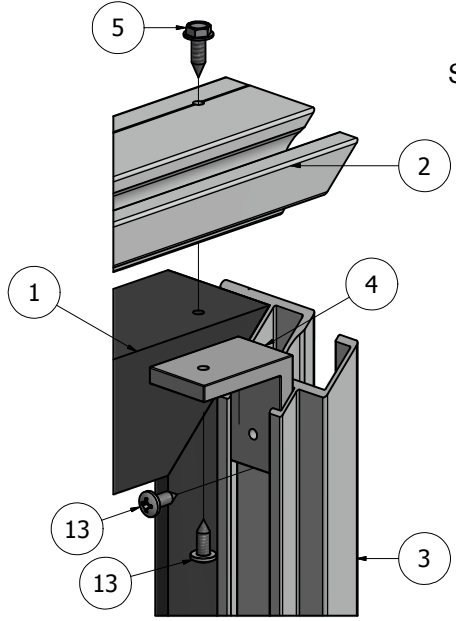
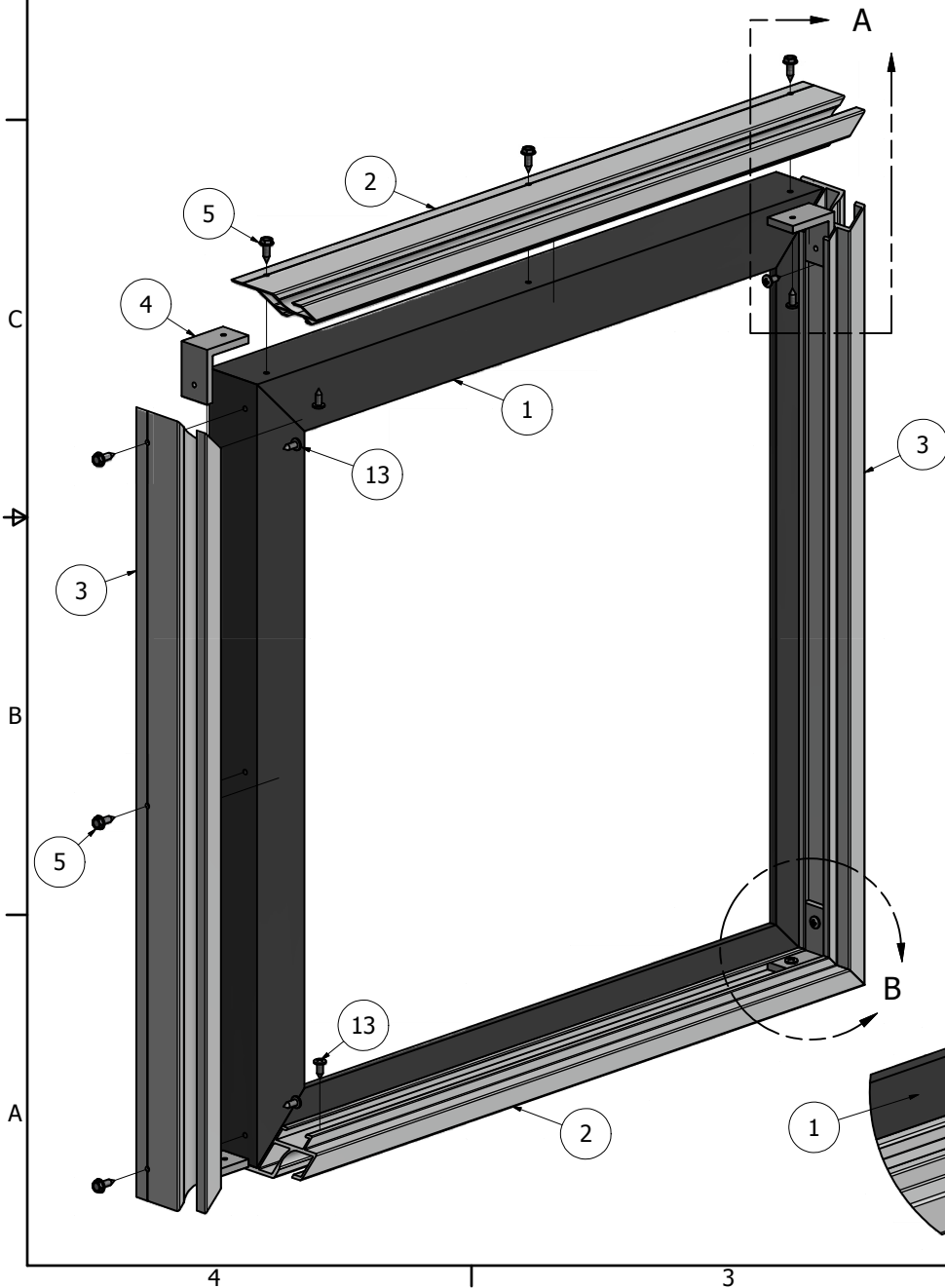
TOP CROSS-SECTION VIEW

NOTE: PRE-CUT KITS ARE NOT PRE-DRILLED.
(Holes shown in this drawing are for reference only.
Drilling of pilot holes are to be done by fabricator.)

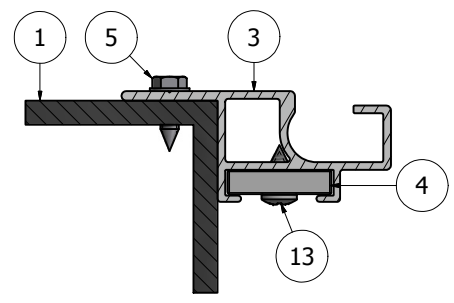
THIS DRAWING WAS CREATED AT NO CHARGE TO ASSIST YOU IN VISUALIZING OUR PROPOSAL. THE DRAWING HEREIN IS THE PROPERTY OF SIGNCOMP. PERMISSION TO COPY OR REVISE THIS DRAWING OR TO USE THIS DRAWING FOR PRODUCTION IS STRICTLY PROHIBITED AND CAN ONLY BE COPIED, REVISED OR USED FOR PRODUCTION WITH THE EXPRESSED WRITTEN PERMISSION OF SIGNCOMP.

DRAWING BY:	SBreihof	8/16/2013	SignComp
Centroid X:	0.000 in		
Centroid Y:	0.000 in		TITLE
Principal Moments Ix:	0.000 in ⁴		Flat Retro Body w/ Flat Bleed Retro Frame and Bleed Cover - Assembly
Principal Moments Iy:	0.000 in ⁴		PART NO
Section Modulus Ix:	0.000 in ³		K2041-2104-21
Section Modulus Iy:	0.000 in ³		REV

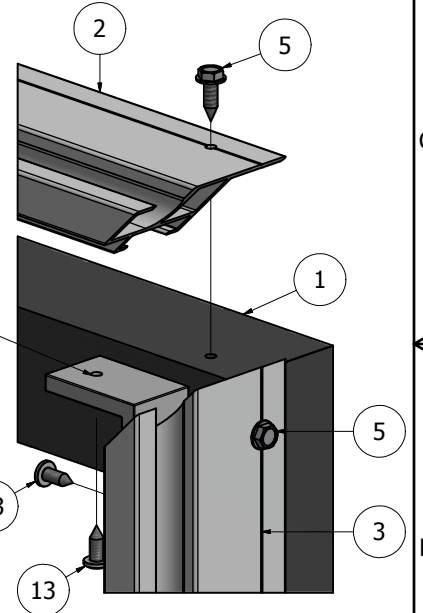
PARTS LIST			
ITEM	PART #	DESCRIPTION	NOTES
1		Angle Frame or Existing Structure	Not provided by SignComp
2	2041	Flat Retro Body	Top & Bottom
3	2041	Flat Retro Body	Sides
4	5305	Frame Corner Angle	One (1) per corner
5		Attachment Fastener	By Other
13	5218	Corner Angle Screw	Pre-drill 5/32" hole



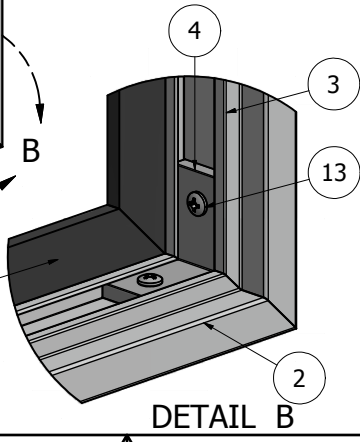
DETAIL A-1



CROSS-SECTION VIEW



DETAIL A-2



DETAIL B

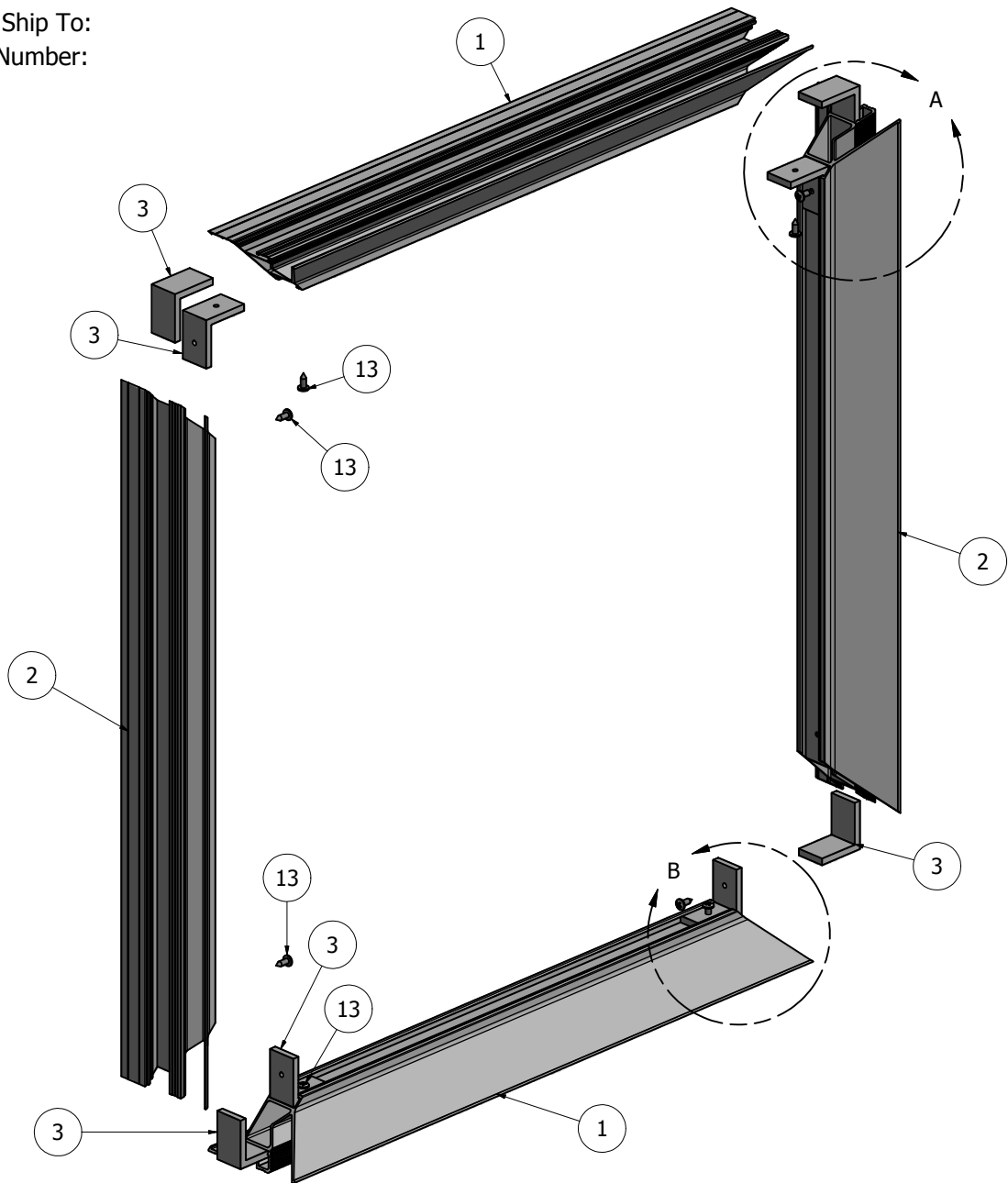
Ship To:
Sales Order#

NOTE: PRE-CUT KITS ARE NOT PRE-DRILLED.
(Holes shown in this drawing are for reference only.
Drilling of pilot holes are to be done by fabricator.)

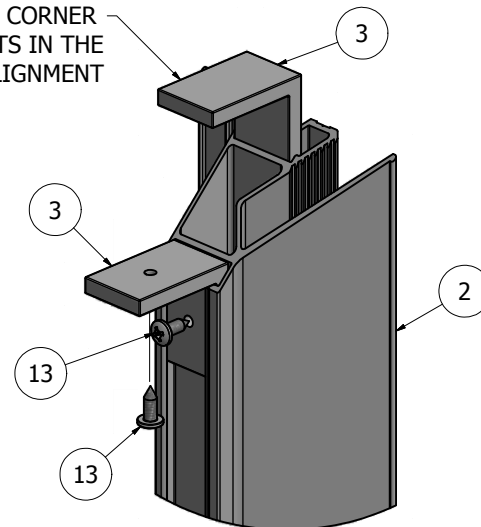
DRAWING BY:		SBreihof 8/15/2013	
Centroid X:		0.000 in	
Centroid Y:		0.000 in	
Principal Moments Ix:		0.000 in ⁴	
Principal Moments Iy:		0.000 in ⁴	
Section Modulus Ix:		0.000 in ³	
Section Modulus Iy:		0.000 in ³	
TITLE		SignComp	
PART NO		K2041	
REV			

PARTS LIST			
ITEM	PART#	DESCRIPTION	NOTES
1	2104	Flat Bleed Retro Frame	Top & Bottom
2	2104	Flat Bleed Retro Frame	Sides
3	5305	Frame Corner Angle	
13	5218	Corner Angle Screw	

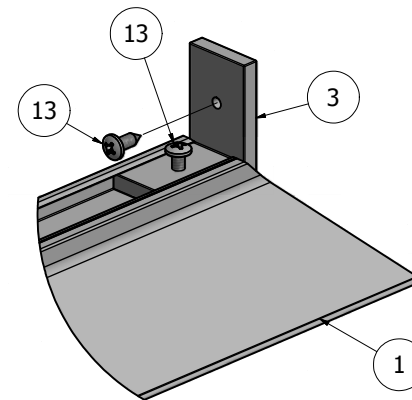
Ship To:
Order Number:



OUTER FRAME CORNER
ANGLE FLOATS IN THE
FRAME FOR ALIGNMENT



DETAIL A



DETAIL B

NOTE: PRE-CUT KITS ARE NOT PRE-DRILLED.

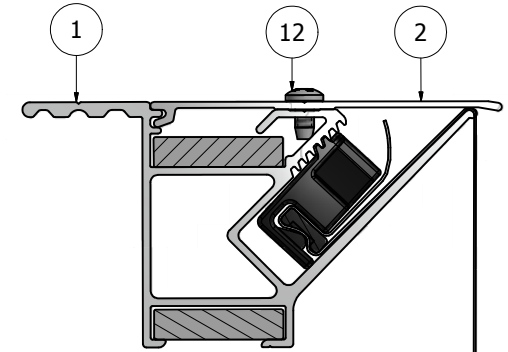
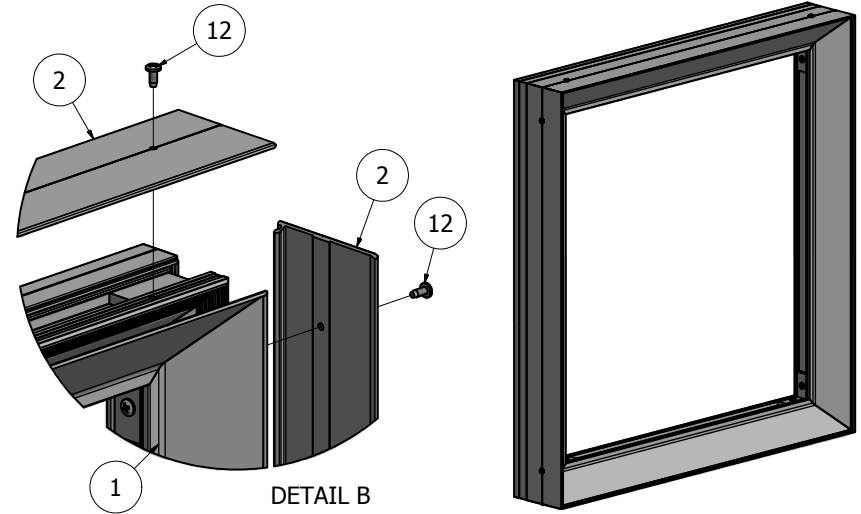
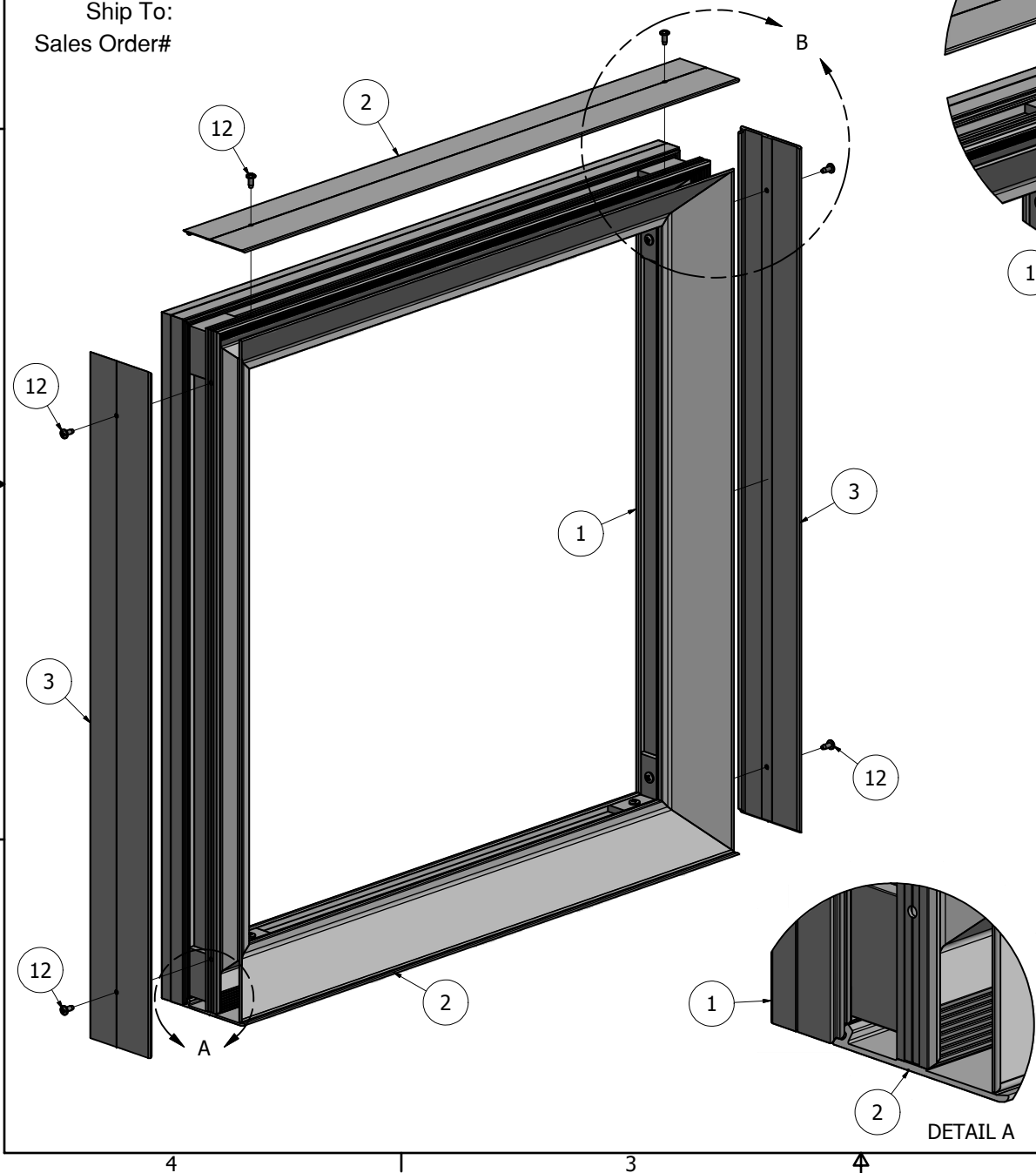
(Holes shown in this drawing are for reference only.
Drilling of pilot holes are to be done by fabricator.)

THIS DRAWING WAS CREATED AT NO CHARGE TO ASSIST YOU IN VISUALIZING OUR PROPOSAL. THE DRAWING HEREIN IS THE PROPERTY OF SIGNCOMP. PERMISSION TO COPY OR REVISE THIS DRAWING OR TO USE THIS DRAWING FOR PRODUCTION IS STRICTLY PROHIBITED AND CAN ONLY BE COPIED, REVISED OR USED FOR PRODUCTION WITH THE EXPRESSED WRITTEN PERMISSION OF SIGNCOMP.

DRAWN	SBreihof	5/8/2012	SignComp
Centroid X:	0.000 in		
Centroid Y:	0.000 in		TITLE
Principal Moments Ix:	0.000 in ⁴		Flat Bleed Retro Frame - Assembly
Principal Moments Iy:	0.000 in ⁴		DWG NO
Section Modulus Ix:	0.000 in ³		K2104
Section Modulus Iy:	0.000 in ³		REV

PARTS LIST			
ITEM	PART#	DESCRIPTION	NOTES
1	K2104	Flat Bleed Retro Frame	Assembly
2	2121	Flat Bleed Retro Frame Cover	Top & Bottom
3	2121	Flat Bleed Retro Frame Cover	Sides
12	5195	Cover Screw	Pre-drill 3/32" pilot hole

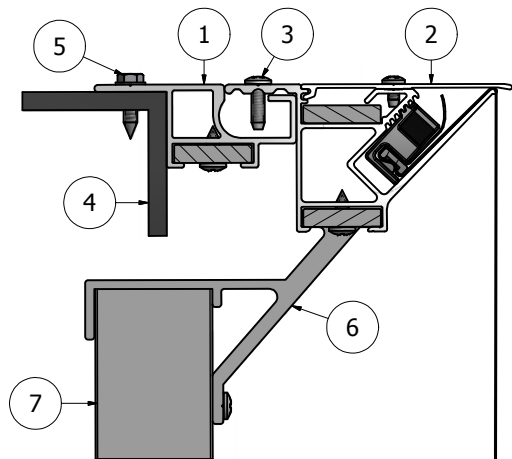
Ship To:
Sales Order#



CROSS-SECTION VIEW

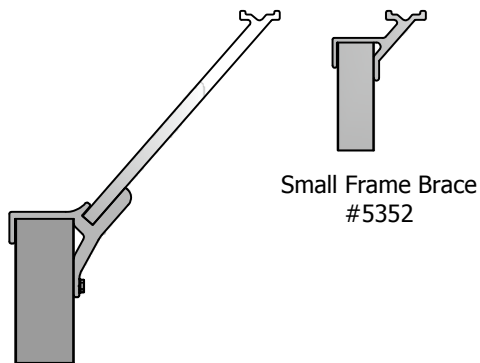
NOTE: PRE-CUT KITS ARE NOT PRE-DRILLED.
(Holes shown in this drawing are for reference only.
Drilling of pilot holes are to be done by fabricator.)

THIS DRAWING WAS CREATED AT NO CHARGE TO ASSIST YOU IN VISUALIZING OUR PROPOSAL. THE DRAWING HEREIN IS THE PROPERTY OF SIGNCOMP. PERMISSION TO COPY OR REVISE THIS DRAWING OR TO USE THIS DRAWING FOR PRODUCTION IS STRICTLY PROHIBITED AND CAN ONLY BE COPIED, REVISED OR USED FOR PRODUCTION WITH THE EXPRESSED WRITTEN PERMISSION OF SIGNCOMP.		
DRAWN	SBreihof 5/8/2012	SignComp
Centroid X:	0.000 in	
Centroid Y:	0.000 in	TITLE
Principal Moments Ix:	0.000 in ⁴	Flat Bleed Retro Frame w/ Flat Bleed Retro Frame Cover - Assembly
Principal Moments Iy:	0.000 in ⁴	DWG NO
Section Modulus Ix:	0.000 in ³	K2104-21
Section Modulus Iy:	0.000 in ³	REV



ASSEMBLED CROSS-SECTION

OPTIONAL FRAME BRACES



2 Piece Frame Brace #5357

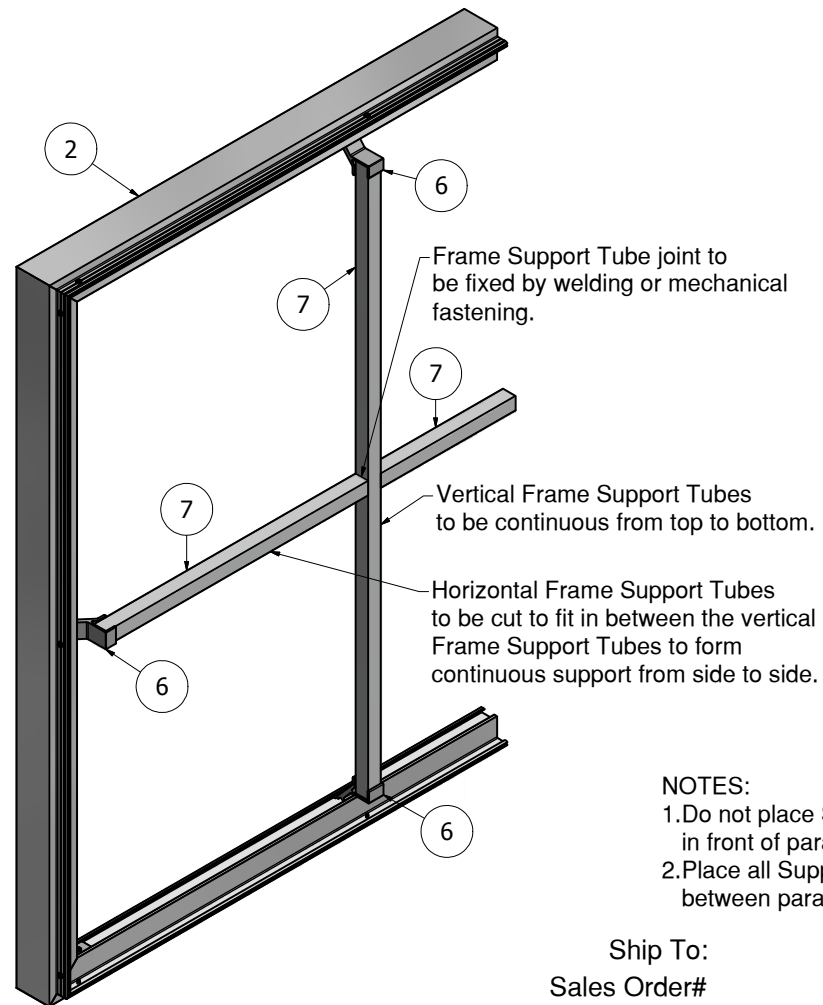
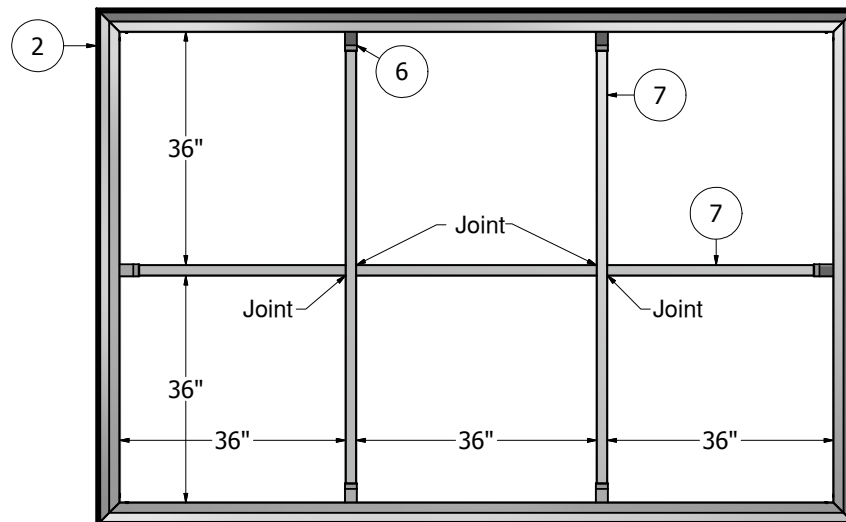
Small Frame Brace #5352

PARTS LIST			
ITEM	PART #	DESCRIPTION	NOTES
1	K2041	Flat Retro Body	Assembly
2	K2104-2121	Flat Bleed Retro Frame w/ Bleed Cover	Assembly
3	5175	Hinge/Closure Screw	
4		Angle/Tubing or Existing Structure	By Other
5		Attachment Fastener	By Other
6	5350	Frame Brace	
7	2175	Frame Support Tube	

NOTE: THE #5357 OR #5352 MAY BE USED IN PLACE OF THE #5350 FRAME BRACE, DEPENDING ON THE OVERALL DEPTH OF THE FRAME AND BODY CONFIGURATION.

Compression Bracing for Flexible Vinyl Faces

Place a vertical Small Frame Brace and Frame Support Tube approximately every 36" on center. Cut and insert horizontal pieces of Frame Support Tube attached to Braces, approximately every 36" in between the vertical assemblies.



NOTES:

1. Do not place Support Assemblies directly in front of parallel steel support structures.
2. Place all Support Assemblies directly in between parallel lamps.

Ship To:
Sales Order#

THIS DRAWING WAS CREATED AT NO CHARGE TO ASSIST YOU IN VISUALIZING OUR PROPOSAL. THE DRAWING HEREIN IS THE PROPERTY OF SIGNCOMP. PERMISSION TO COPY OR REVISE THIS DRAWING OR TO USE THIS DRAWING FOR PRODUCTION IS STRICTLY PROHIBITED AND CAN ONLY BE COPIED, REVISED OR USED FOR PRODUCTION WITH THE EXPRESSED WRITTEN PERMISSION OF SIGNCOMP.

DRAWING BY:	SBreihof	8/13/2013	SignComp
Centroid X:	0.000 in		
Centroid Y:	0.000 in		TITLE
Principal Moments Ix:	0.000 in ⁴		Frame Support Placement
Principal Moments Iy:	0.000 in ⁴		PART NO
Section Modulus Ix:	0.000 in ³		5350 Frame Brace
Section Modulus Iy:	0.000 in ³		REV